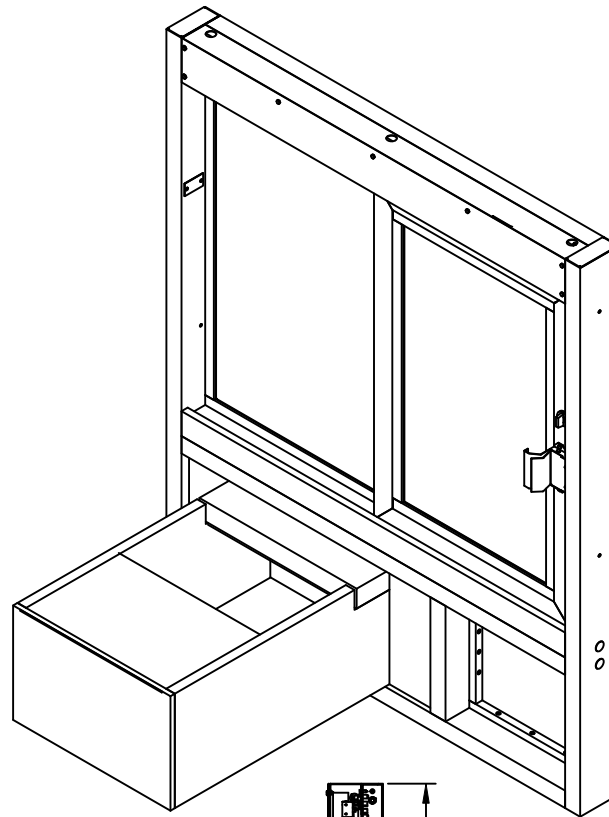
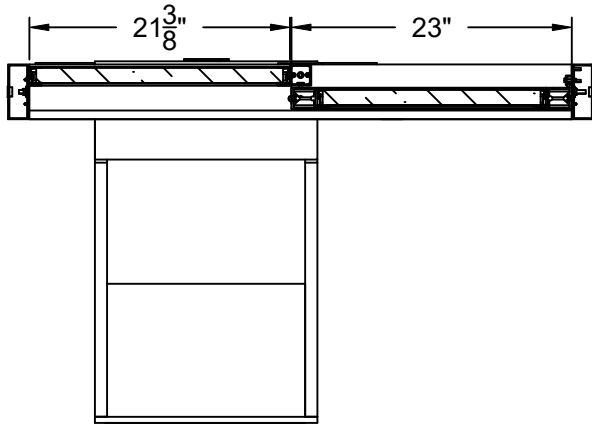


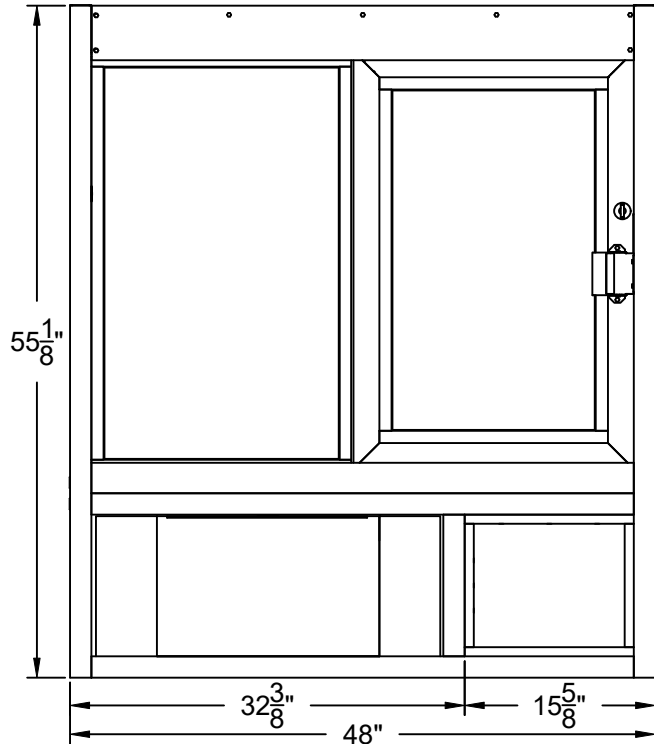
BRDW-4855 RIGHT



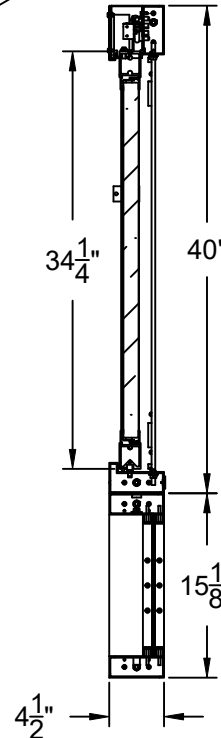
COVENANT
Security Equipment



INTERIOR



INTERIOR



EXTERIOR

PLEASE SELECT:

1. FRAMING:

- Aluminum
- Loaded Frame

2. FRAME COLOR:

- Bronze Anodized
- Clear Anodized

Other: _____

3. GLAZING:

- 1/4" Tempered
- 1" Insulated
- 3/4" Poly - L1
- 1" Insulated + Low-E
- 1-1/4" Poly - L3
- 1-1/4" Acrylic - L1
- Storm Impact
- 1-1/4" Acrylic - L3

Other: _____

Key Notes

Unit:
BRDW-4855 RIGHT OPEN

Actual Dimension:
48"(W) x 55-1/8"(H)

Rough Opening:
48-3/8"(W) x 55-1/2"(H)

Service Opening:
20-1/4"(W) x 33"(H)

Engineer Notes

Date drawn: 8/26/2022 9:26 AM

Drawn by: SCOONROD

File name:

BRDW1_4855-R.dwg

Page:

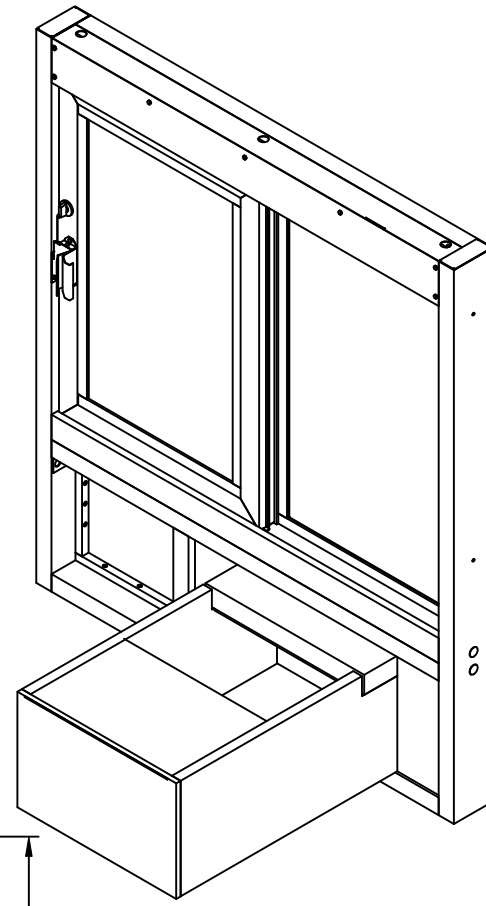
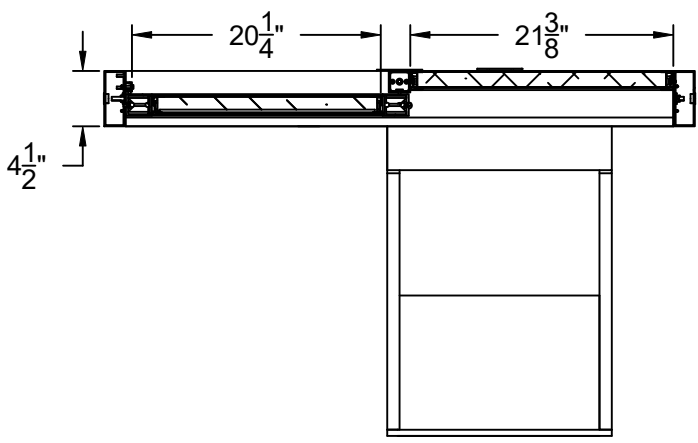
Scale: NTS

NOTE: THIS DRAWING EMBODIES A CONFIDENTIAL PROPRIETARY DESIGN ORIGINATED AND OWNED BY COVENANT SECURITY EQUIPMENT SUBMITTED UNDER A CONFIDENTIAL RELATIONS ALL PATENT, MANUFACTURING, SALE RIGHTS REGARDING THE SAME ARE RESERVED EXCEPT TO THE EXTENT RIGHTS ARE EXPRESSLY GRANTED TO OTHERS. THE RECIPIENT AGREES BY ACCEPTING THESE DRAWINGS NOT TO SUPPLY OR DISCLOSE ANY INFORMATION REGARDING THEM TO ANY UNAUTHORIZED PERSONAL.

SIGNATURE: _____

DATE: _____

BRDW-4855 LEFT



- PLEASE SELECT:**
- 1. FRAMING:**
 Aluminum Loaded Frame
- 2. FRAME COLOR:**
 Bronze Anodized Clear Anodized
 Other: _____
- 3. GLAZING:**
 1/4" Tempered 1" Insulated
 3/4" Poly - L1 1" Insulated + Low-E
 1-1/4" Poly - L3 1-1/4" Acrylic - L1
 Storm Impact 1-1/4" Acrylic - L3
 Other: _____

Key Notes

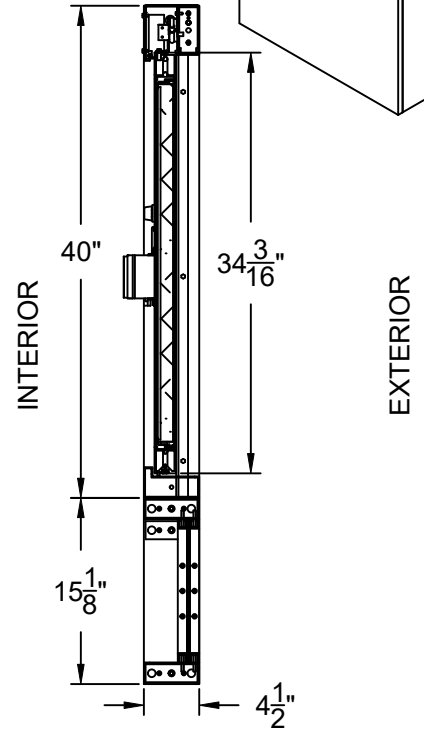
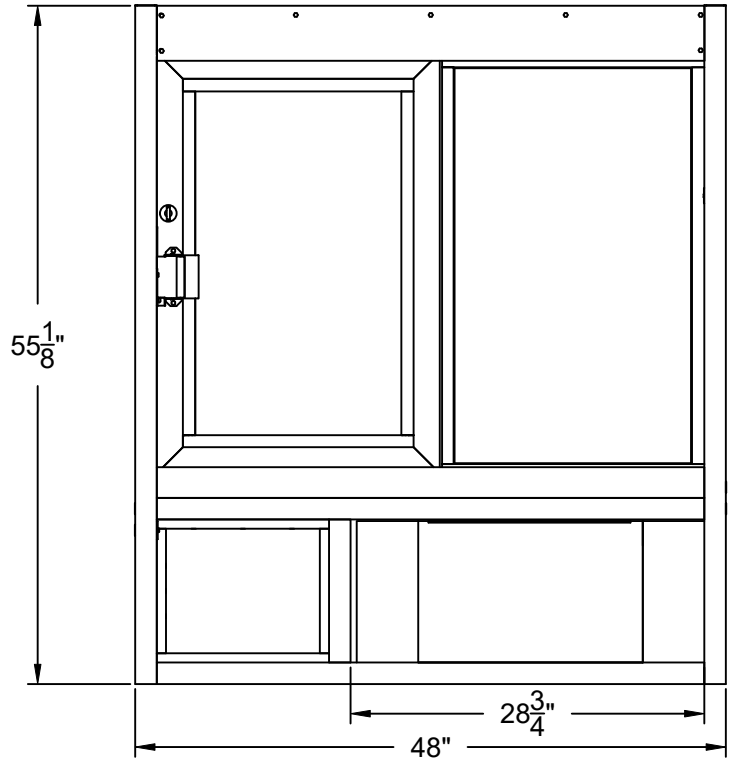
Unit:
BRDW-4855 STANDARD LEFT

Actual Dimension:
48"(W) x 55-1/8"(H)

Rough Opening:
48-3/8"(W) x 55-1-2"(H)

Service Opening:
20-1/4"(W) x 33"(H)

INTERIOR



Engineer Notes

Date drawn: 8/26/2022 9:26 AM
Drawn by: SCOONROD
File name: BRDW1_4855-L.dwg
Page: _____ **Scale:** NTS

NOTE: THIS DRAWING EMBODIES A CONFIDENTIAL PROPRIETY DESIGN ORIGINATED AND OWNED BY QUICOVENANT SECURITY EQUIPMENT SUBMITTED UNDER A CONFIDENTIAL RELATIONS ALL PATENT, MANUFACTURING, SALE RIGHTS REGARDING THE SAME ARE RESERVED EXCEPT TO THE EXT ENT RIGHTS ARE EXPRESSLY GRANTED TO OTHERS. THE RECIPIENT AGREES BY ACCEPTING THESE DRAWINGS NOT TO SUPPLY OR DISCLOSE ANY INFORMATION REGARDING THEM TO ANY UNAUT HORIZED PERSONAL.

SIGNATURE: _____
DATE: _____