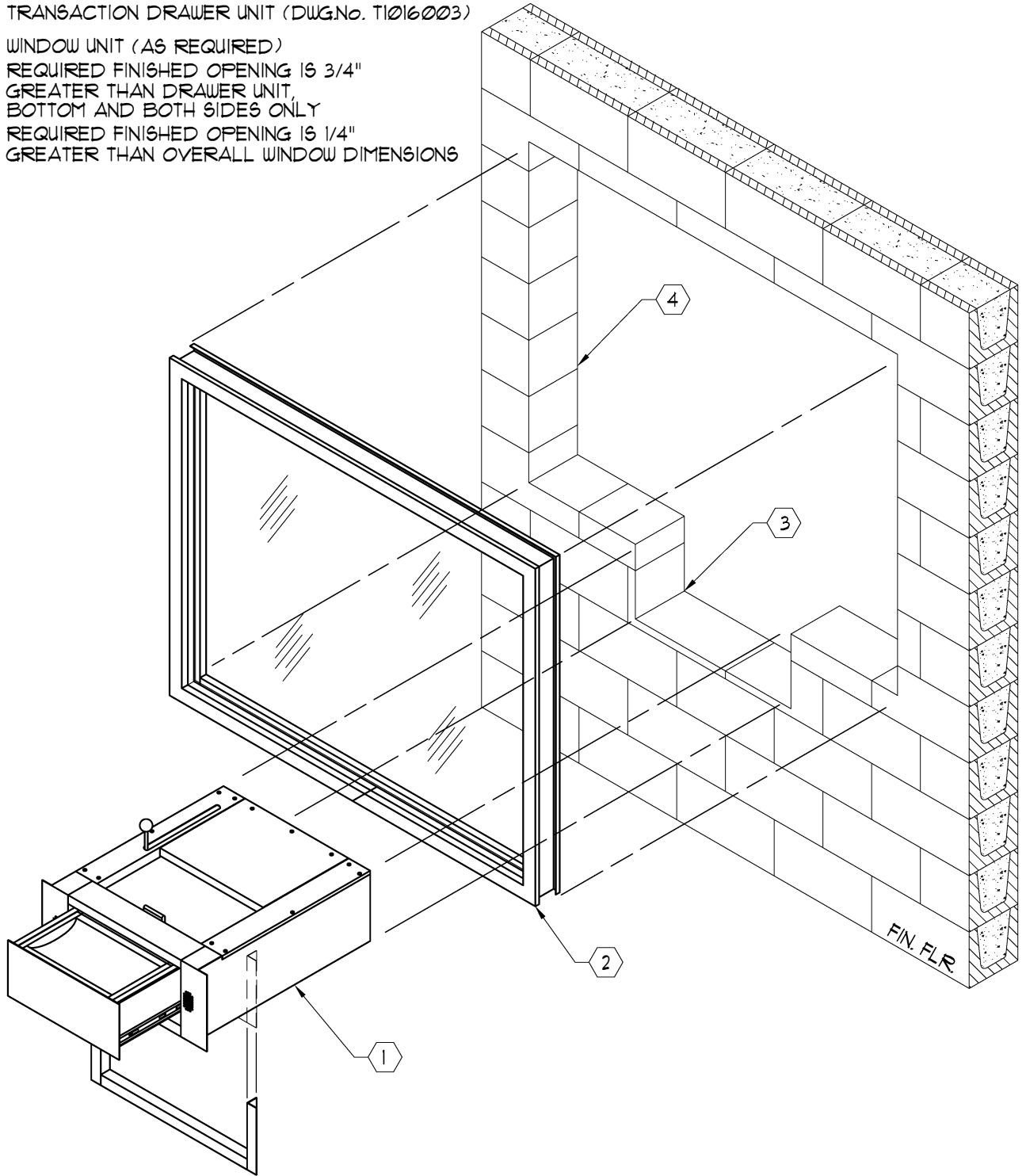


NOTES:

- ① TRANSACTION DRAWER UNIT (DWG.No. T1016003)
- ② WINDOW UNIT (AS REQUIRED)
- ③ REQUIRED FINISHED OPENING IS 3/4" GREATER THAN DRAWER UNIT, BOTTOM AND BOTH SIDES ONLY
- ④ REQUIRED FINISHED OPENING IS 1/4" GREATER THAN OVERALL WINDOW DIMENSIONS



C:\ARMORTEX\INSTALLATION\INST9523.DWG.DWG 05/22/06 @ 11:54 User: operez

REVISIONS		
No.	DESCRIPTION	DATE
PROJECT NAME:		



**COVENANT**  
Security Equipment

ARMORTEX® BULLET RESISTANT  
TRANSACTION & WINDOW INSTALLATION  
UNLESS OTHERWISE SPECIFIED  
ALL DIMENSIONS ARE IN INCHES

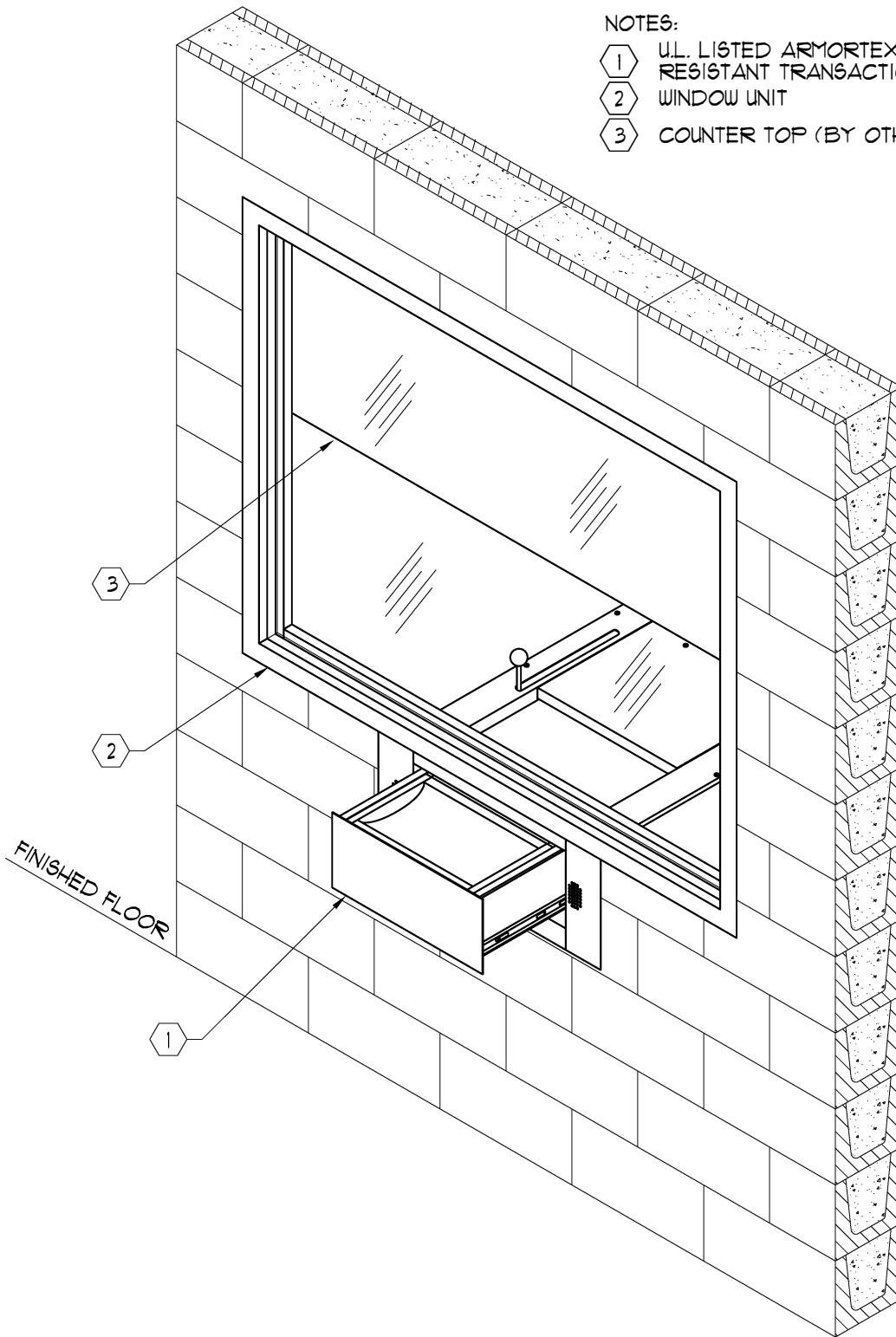
SCALE: NONE  
PROJECT No.:

BALLISTIC LEVEL	
DRN.BY:	DATE:
A. PEREZ	03-14-03
CHKD.BY:	DATE:
B. LEWIS	05-28-09
DRAWING No.	SHEET
INST9523	1 OF 1

C:\ARMORTEX M S:\INSTALLATION\INST9524.DWG.DWG 05/22/06 @ 11:57 User: operez

**NOTES:**

- ① U.L. LISTED ARMORTEX BULLET RESISTANT TRANSACTION DRAWER UNIT
- ② WINDOW UNIT
- ③ COUNTER TOP (BY OTHERS)



REVISIONS		
No.	DESCRIPTION	DATE



**COVENANT**  
Security Equipment

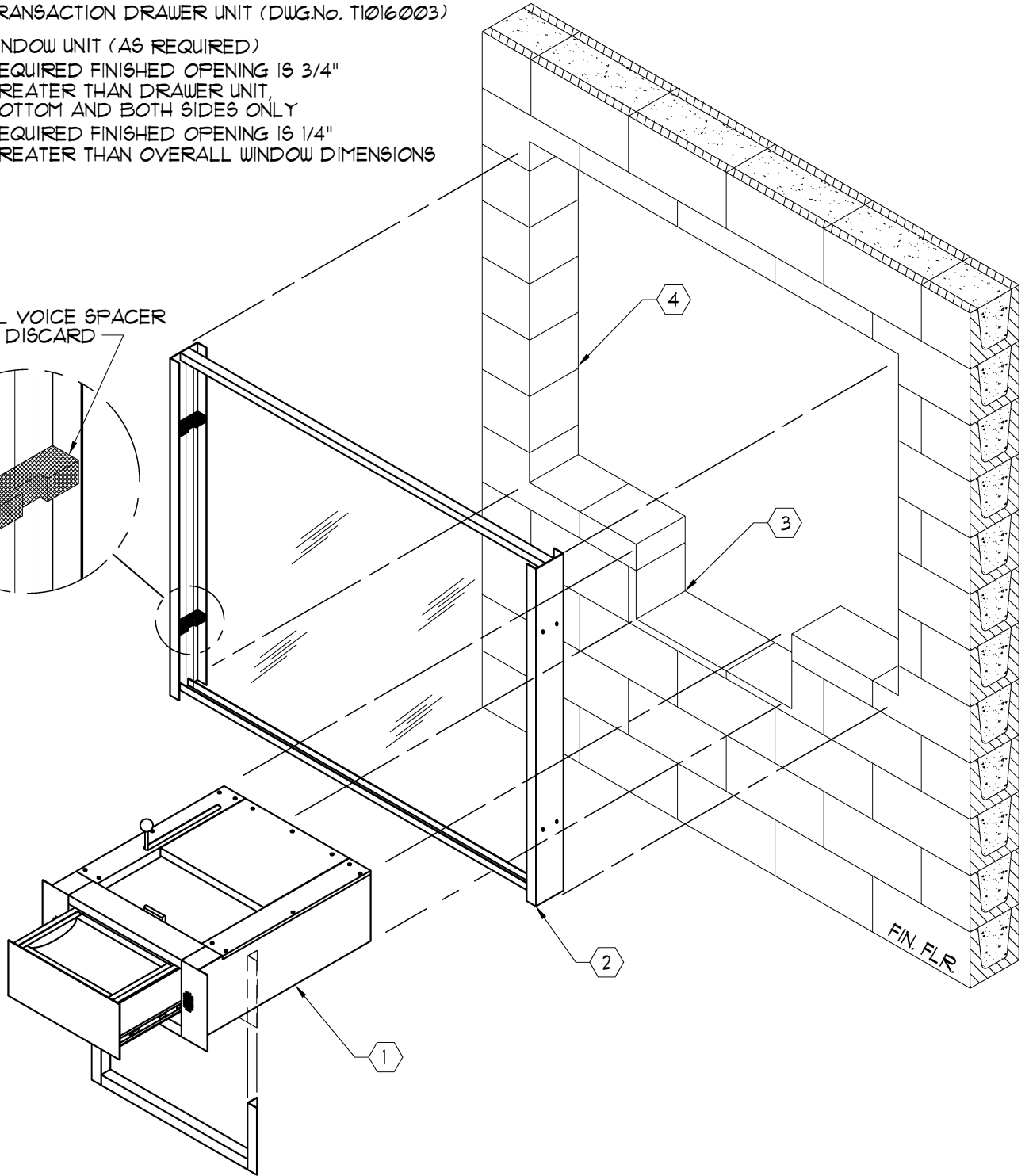
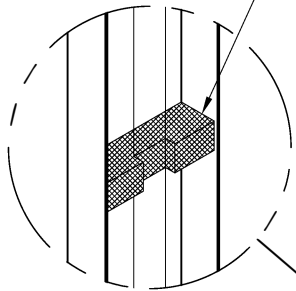
TITLE: ARMORTEX® BULLET RESISTANT TRANSACTION DRAWER & WINDOW UNIT		PROJECT NAME:	
UNLESS OTHERWISE SPECIFIED ALL DIMENSIONS ARE IN INCHES		SCALE NONE	PROJECT No.

BALLISTIC LEVEL	
DRN.BY: A. PEREZ	DATE: 03-14-03
CHKD.BY: B. LEWIS	DATE: 05-28-09
DRAWING No. INST9524	SHEET 1 OF 1

NOTES:

- ① TRANSACTION DRAWER UNIT (DWG.No. T1016003)
- ② WINDOW UNIT (AS REQUIRED)  
REQUIRED FINISHED OPENING IS 3/4"
- ③ GREATER THAN DRAWER UNIT,  
BOTTOM AND BOTH SIDES ONLY
- ④ REQUIRED FINISHED OPENING IS 1/4"  
GREATER THAN OVERALL WINDOW DIMENSIONS

NATURAL VOICE SPACER  
DO NOT DISCARD



C:\ARMORTEX MASTERS\INSTALLATION\INST9525.DWG.DWG 05/22/06 @ 13:43 User: cperez

REVISIONS		
No.	DESCRIPTION	DATE

## COVENANT

Security Equipment

TITLE: <b>ARMORTEX® BULLET RESISTANT TRANSACTION &amp; WINDOW INSTALLATION</b>		PROJECT NAME:	
UNLESS OTHERWISE SPECIFIED ALL DIMENSIONS ARE IN INCHES		SCALE <b>NONE</b>	PROJECT No.

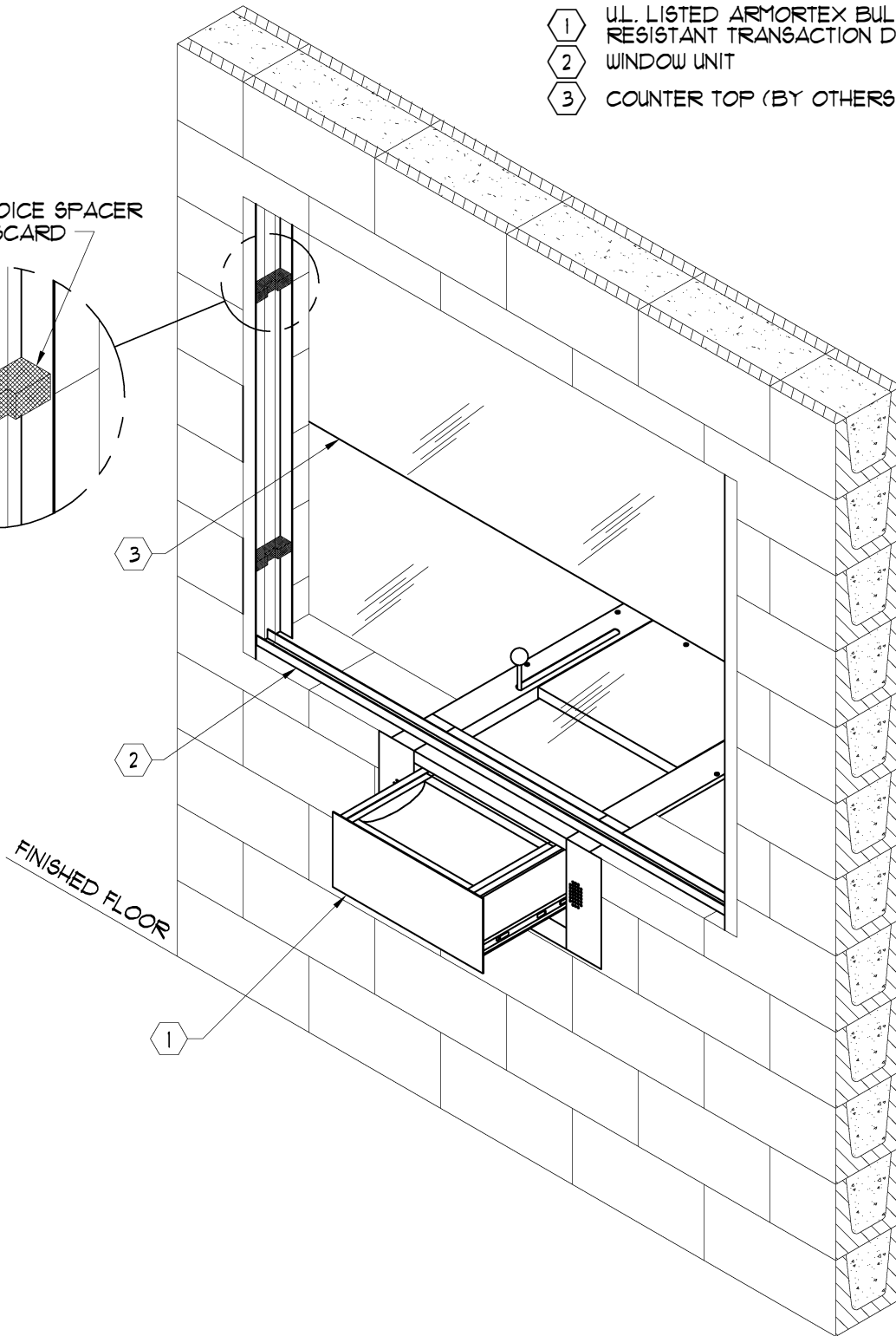
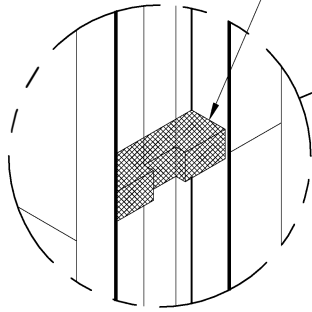
BALLISTIC LEVEL	
DRN.BY: <b>A. PEREZ</b>	DATE: <b>03-14-03</b>
CHKD.BY: <b>B. LEWIS</b>	DATE: <b>05-28-09</b>
DRAWING No. <b>INST9525</b>	SHEET <b>1 OF 1</b>

C:\ARMORTEX MASTERS\INSTALLATION\INST9526.DWG.DWG 05/22/06 @ 13:42 User: operez

NOTES:

- ① U.L. LISTED ARMORTEX BULLET RESISTANT TRANSACTION DRAWER UNIT
- ② WINDOW UNIT
- ③ COUNTER TOP (BY OTHERS)

NATURAL VOICE SPACER  
DO NOT DISCARD



REVISIONS		
No.	DESCRIPTION	DATE

## COVENANT

Security Equipment

TITLE: <b>ARMORTEX® BULLET RESISTANT TRANSACTION DRAWER &amp; WINDOW UNIT</b>		PROJECT NAME:	
UNLESS OTHERWISE SPECIFIED ALL DIMENSIONS ARE IN INCHES		SCALE NONE	PROJECT No.

BALLISTIC LEVEL	
DRN. BY:	DATE:
A. Perez	03-14-03
CHKD. BY:	DATE:
B. LEWIS	05-28-09
DRAWING No.	SHEET
INST9526	1 OF 1