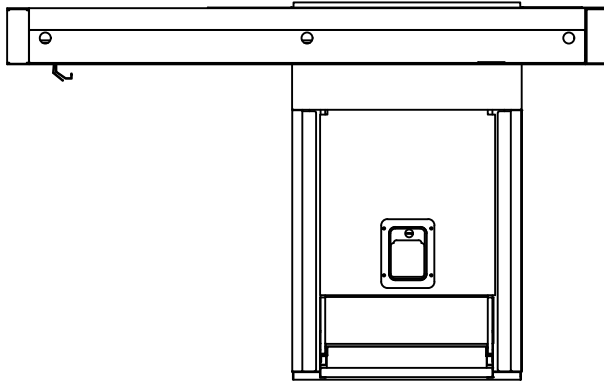
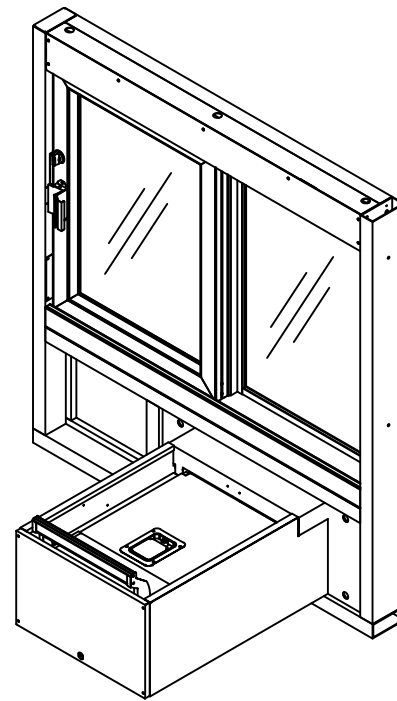
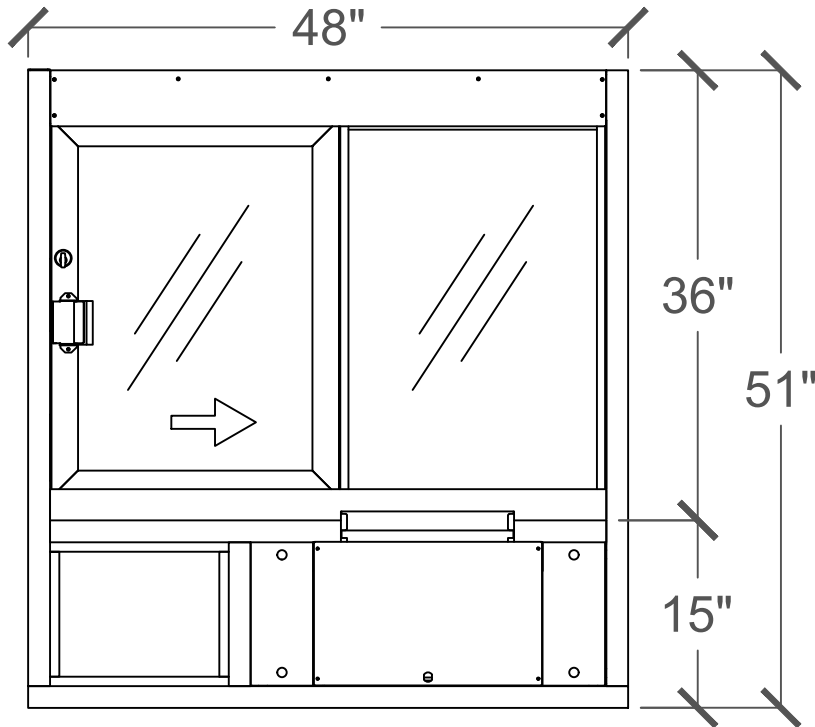


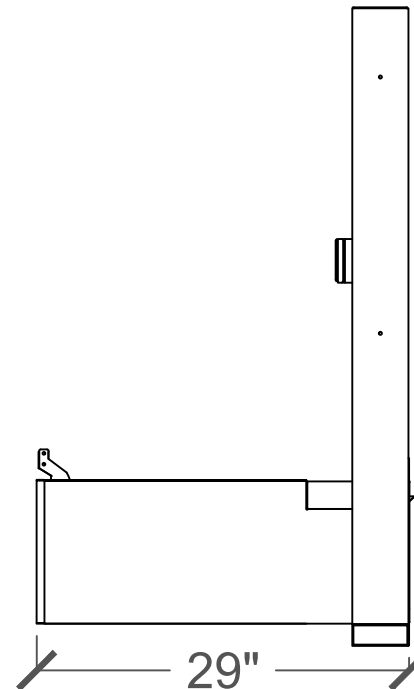
Top View



Interior View



SideView



COVENANT
Security Equipment

PLEASE SELECT:

1. FRAMING:

- Aluminum
- UL Rated Alum

2. FRAME COLOR:

- Bronze Anodized
- Clear Anodized

Other: _____

3. GLAZING:

- 1/4" Tempered
- 5/8" or 1" Insulated

- 3/4" Poly - L1
- 1-1/4" Acrylic - L1

- 1-1/4" Poly - L3
- 1-1/4" Acrylic - L3

- 7/8" Storm Impact

Other: _____

Key Notes

Unit:

BRDW1-4851 (LEFT)

Actual Dimension:

48"(W) X 51"(H)

Rough Opening:

48³/₈"(W) X 51³/₈"(H)

Service Opening:

20¹/₄"(W) X 29"(H)

WITH QSP-713S

Engineer Notes

Date drawn:10/21/2019

Drawn by:A.V.

File name:BRDW1-4851

Page: 1OF1

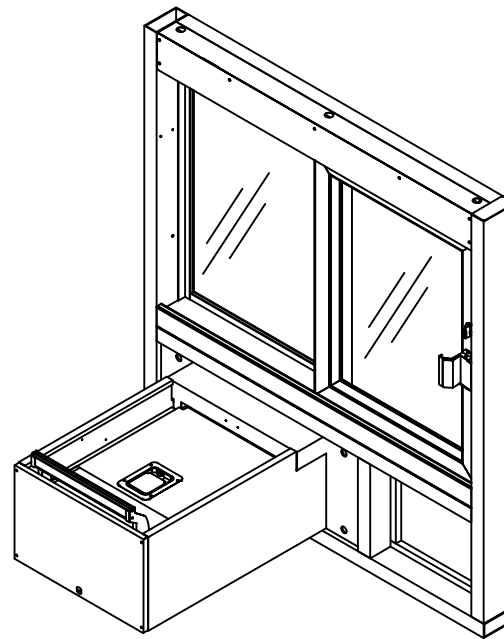
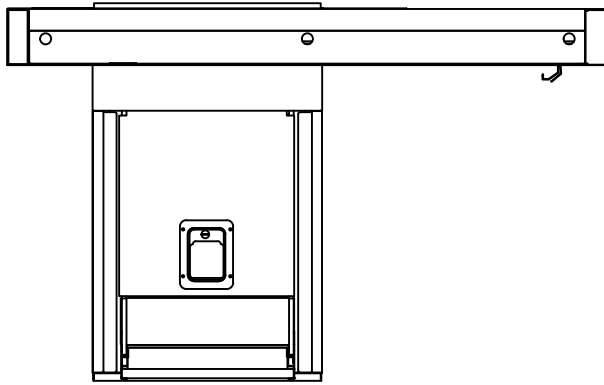
Scale:1:16

NOTE: THIS DRAWING EMBODIES A CONFIDENTIAL PROPRIETY DESIGN ORIGINATED AND OWNED BY COVENANT SECURITY, AND IS SUBMITTED UNDER A CONFIDENTIAL RELATIONS ALL PATENT, MANUFACTURING, SALE RIGHTS REGARDING THE SAME ARE RESERVED EXCEPT TO THE EXTENT RIGHTS ARE EXPRESSLY GRANTED TO OTHERS. THE RECIPIENT AGREES BY ACCEPTING THESE DRAWINGS NOT TO SUPPLY OR DISCLOSE ANY INFORMATION REGARDING THEM TO ANY UNAUTHORIZED PERSONAL.

SIGNATURE: _____

DATE: _____

Top View



COVENANT
Security Equipment

PLEASE SELECT:

1. FRAMING:

- Aluminum
- UL Rated Alum

2. FRAME COLOR:

- Bronze Anodized
- Clear Anodized

Other: _____

3. GLAZING:

- 1/4" Tempered
- 5/8" or 1" Insulated

- 3/4" Poly - L1
- 1-1/4" Acrylic - L1

- 1-1/4" Poly - L3
- 1-1/4" Acrylic - L3

- 7/8" Storm Impact

Other: _____

Key Notes

Unit:

BRDW1-4851 (RIGHT)

Actual Dimension:

48"(W) X 51"(H)

Rough Opening:

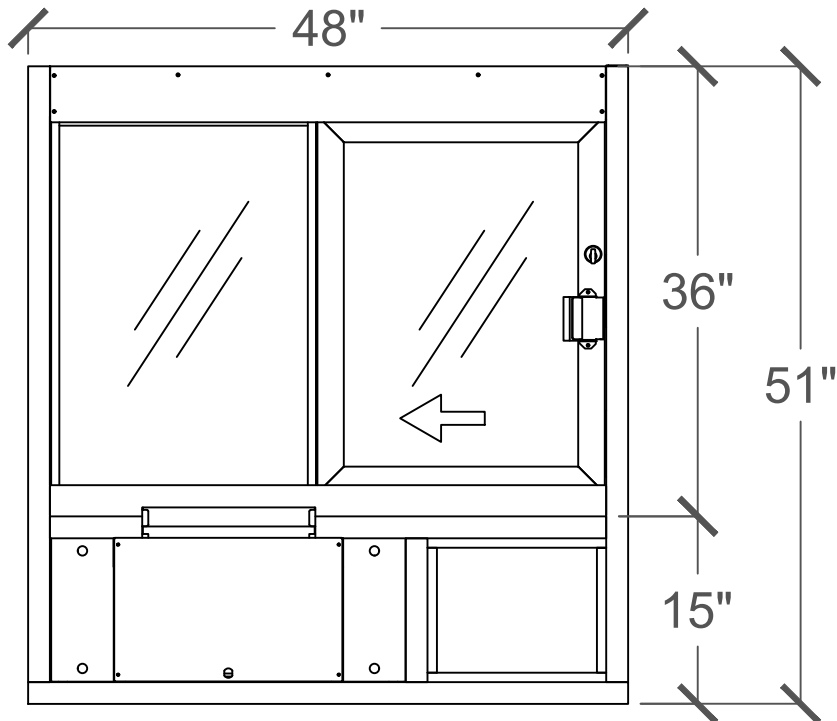
48³/₈"(W) X 51³/₈"(H)

Service Opening:

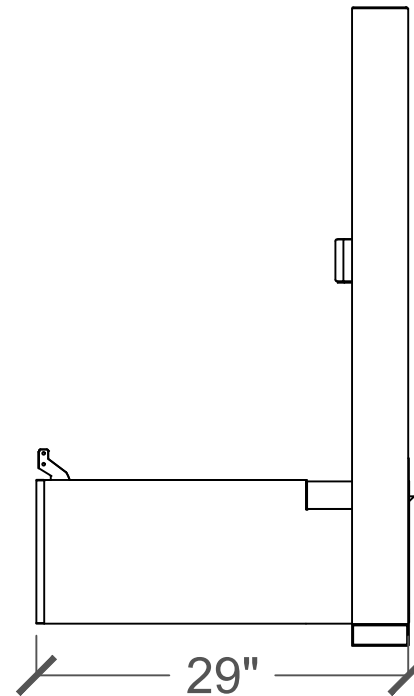
20¹/₄"(W) X 29"(H)

WITH QSP-713S

Interior View



Side View



Engineer Notes

Date drawn: 10/21/2019

Drawn by: A.V.

File name: BRDW1-4851

Page: 1 OF 1

Scale: 1:16

NOTE: THIS DRAWING EMBODIES A CONFIDENTIAL PROPRIETY DESIGN ORIGINATED AND OWNED BY COVENANT SECURITY, AND IS SUBMITTED UNDER A CONFIDENTIAL RELATIONS ALL PATENT, MANUFACTURING, SALE RIGHTS REGARDING THE SAME ARE RESERVED EXCEPT TO THE EXTENT RIGHTS ARE EXPRESSLY GRANTED TO OTHERS. THE RECIPIENT AGREES BY ACCEPTING THESE DRAWINGS NOT TO SUPPLY OR DISCLOSE ANY INFORMATION REGARDING THEM TO ANY UNAUTHORIZED PERSONAL.

SIGNATURE: _____

DATE: _____