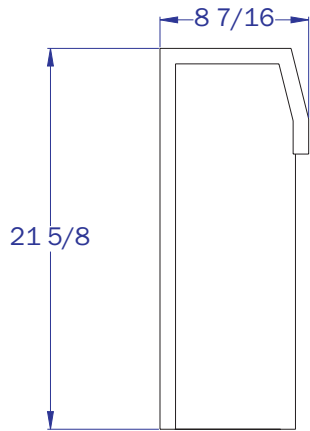


M400-OW INCLUDES

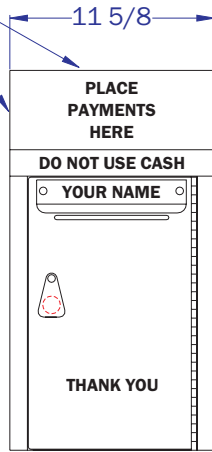
ACCESSORY OPTIONS

PART ID	DESCRIPTION	PART ID	DESCRIPTION
0103	STAINLESS STEEL "FOLD-WELD" CAP AND CABINET, PIANO HINGED DOOR, BRASS WORKS LOCK, (2) DOUBLE-BITTED KEYS, STRONG CAM, LOCK COVER AND FLOOR LINER, RAINSHIELD INSTALLED ABOVE SLOT AND (3) BLACK SIGNS: "PLACE PAYMENTS HERE", "DO NOT USE CASH", "THANK YOU"	0601	DOUBLE LOCK DOOR PANEL WITH (2) EIGHT TUMBLER, ALL BRASS WORKS LOCKS AND (2) DOUBLE-BITTED KEYS FOR EACH LOCK
		0609	"CLOSED" SLOT COVER ATTACHES INSIDE WITH (2) WING NUTS
1002	ID PLATE 1.25 X 8.5 INCH WIDE, ENGRAVED WITH YOUR NAME	0702	WIDE-SLOT ENTRY PANEL .75 X 8.75 INCHES WIDE SLOT OPENING WITH HEAVY DUTY SS RAINSHIELD
		0801	ENVELOPE HOLDER 8 X 4.5 INCHES WIDE [25 CAPACITY]
		0802	ENVELOPE HOLDER 10.5 X 4.5 INCHES WIDE [25 CAPACITY]
		0803	ENVELOPE HOLDER 10.5 X 4.5 INCHES WIDE [100 CAPACITY]
		1101	OCEAN FRONT FINISH POWDER COAT SALT RESISTANT FINISH, FOR EACH CABINET, PEDESTAL, OR PAIR OF PROTECTOR POSTS
		1008	CUSTOM VINYL MESSAGE AND/OR COLOR
		1102	POWDER COAT ENTIRE CABINET ONE COLOR
		1103	SPECIAL COLOR ORDER CALL FOR SAMPLES

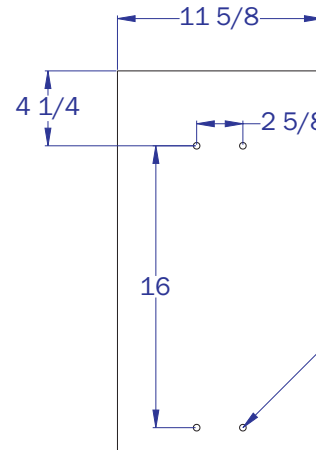
SILICONE AROUND CABINET
AFTER INSTALLED



LEFT SIDE VIEW



FRONT VIEW



BACK VIEW



COVENANT
Security Equipment

TITLE
MODEL 400-OW CUT SHEET

PART NAME
M400-OW

REV	DESCRIPTION	DATE	BY	TOL: UNLESS OTHERWISE SPECIFIED ANGLES: ±1° .XX±.030 .XXX±.010
	RELEASE	04-19-10	JRS	

SHEET	PART ID #	SCALE	REV
1 OF 1	SEE ABOVE	NTS	