

866.286.4400
 9323 N. Government Way STE 12
 Hayden, ID 83835

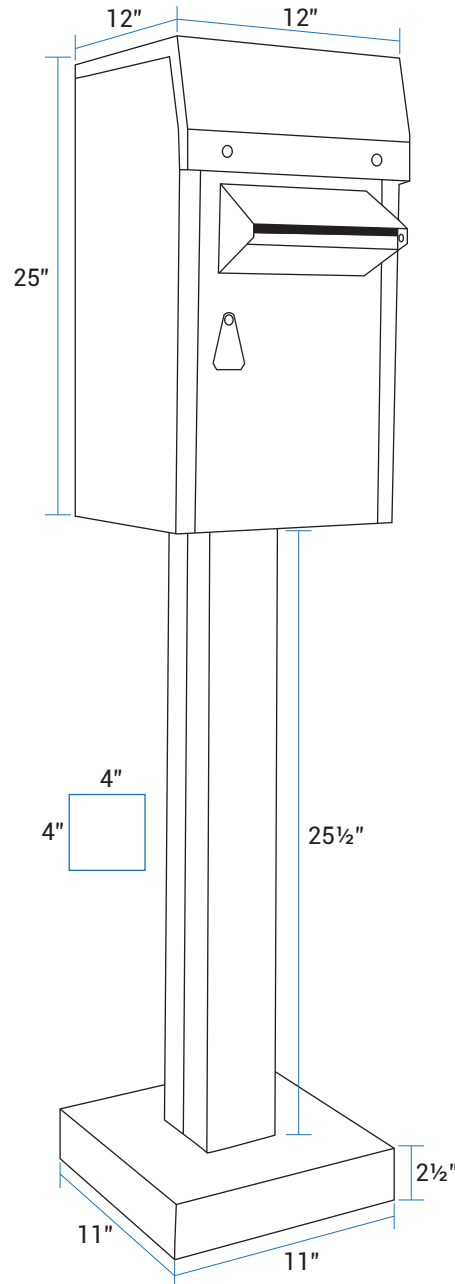
MODEL
CSE-AS-500-DOC-COMBO

DETAILS
 CAPACITY | 300+ Payments
 ACCESSIBILITY | Drive up
 INSTALLATION | On concrete

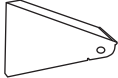
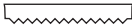


TECH NOTES
 11-2020 | V.1 | JAW

SIGNATURE _____

DATE _____



INCLUDED ITEMS

- Snorkle deposit slot 
- Anti-fish teeth 
- Closed slot panel 
- Four keys 
- Custom nametag (32 characters maximum)

YOUR TITLE HERE

- Mounting hardware 

OPTIONAL ACCESSORIES

- Large slot entrance | 10" (w) x 1" (h)
- Steel bollards | On concrete
- Envelope holder
 - 10.5" (h) x 4.5" (w) x 4" (d) (100 Capacity)
 - 10.5" (h) x 4.5" (w) x 1-1/4" (d) (25 Capacity)
 - 8" (h) x 4.5" (w) x 1-1/4" (d) (25 Capacity)

Mounting

- Left side (front view)
- Right side (front view)
- No mounting
- Powder coat/RAL# _____

- STICKER PACK | Payment/Envelope