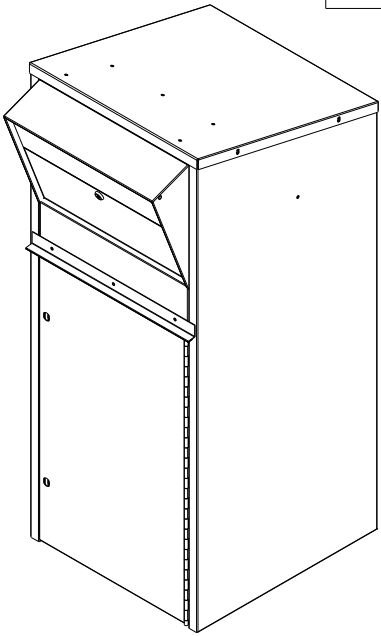


PARTS LIST	
QTY	PART
1	M710-BP
1	M710-DP
1	M710-FP
1	M710-LP
1	M710-RP
1	M710-TP
1	M710-OHC-B
1	M710-OHC-PP
1	M710-OHC-T
1	M710-RS



PART	MATERIAL
-PG	18 GA PAINT GRIP
-SST	18 GA 304 #4 SST

6	PEMS ON FRONT TOP	5/16/18	MM
5	LP, DP, F OHC-B DOOR JAM MODS	12/7/17	MM
4	NEW DESIGN	11-22-17	MM
6.1	ASSEMBLY TWEAKS	11/26/19	MM



TOL: UNLESS OTHERWISE SPECIFIED
 ANG: ± 5° DIM: .XX±.025 .XXX±.015
 ALL FORMING±.03 WELDING±.06
 ALL DIMENSION ARE IN INCHES

PROJECT	710-SC
TITLE	M710 SECURITY CABINET OHC
MATERIAL	SEE TABLE
SHEET	1 OF 1
PART NUMBER	M710-SC-OHC-PG
SCALE	1:8