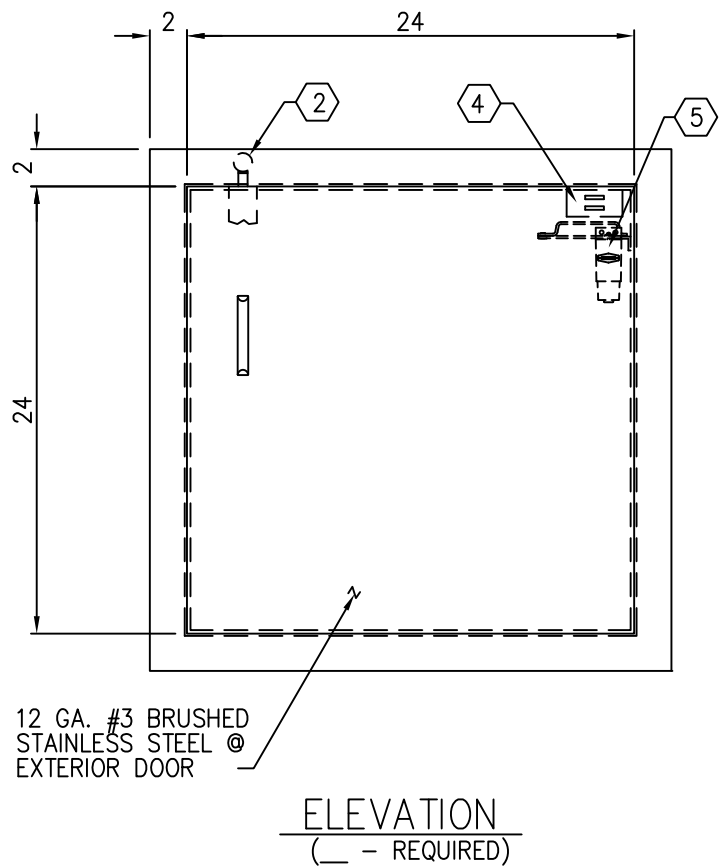
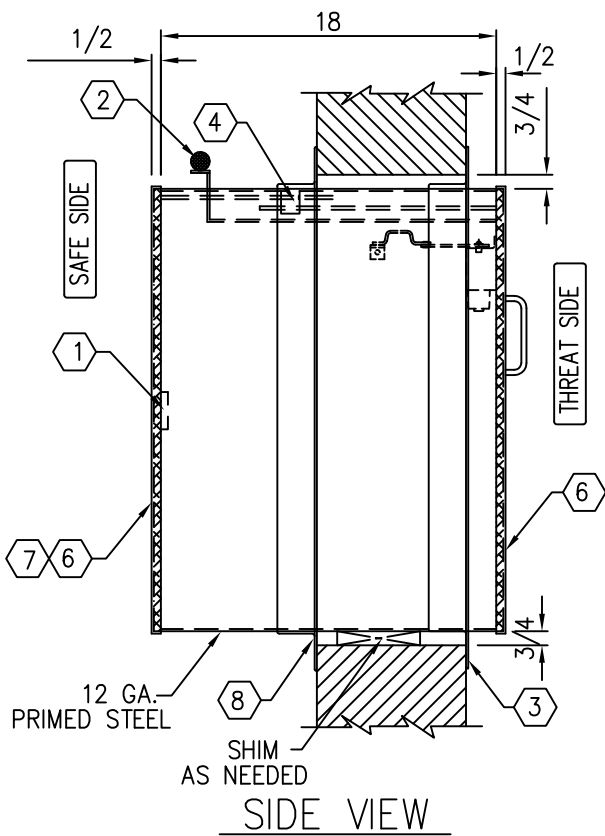
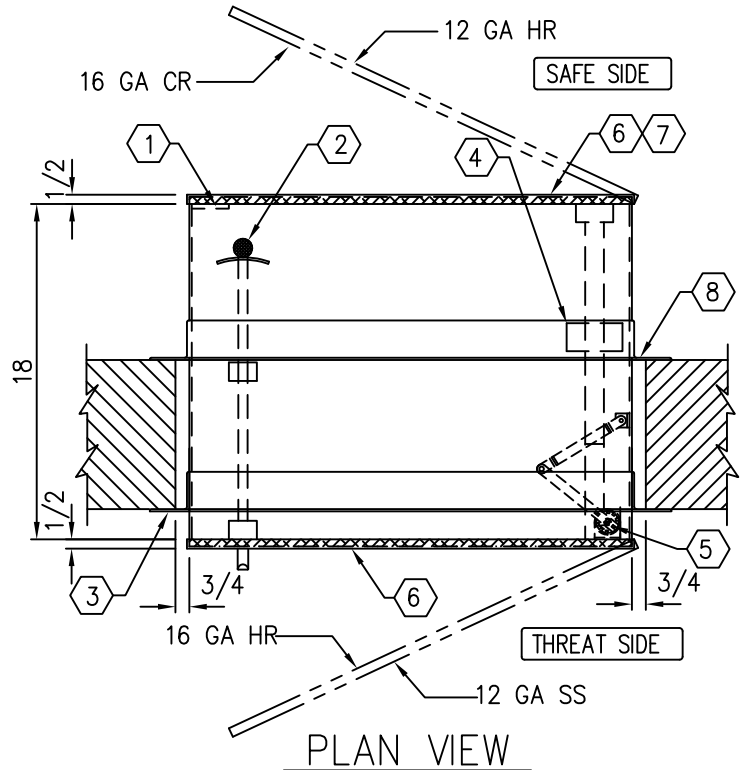


NOTES:

- ① PADDLE LATCH WITH KEYLOCK
- ② OUTSIDE DOOR RELEASE HANDLE
- ③ MOUNTING FLANGE (SHOP WELDED)
- ④ DOOR INTERLOCK SYSTEM
- ⑤ AUTOMATIC DOOR CLOSER
- ⑥ UL LISTED BULLET RESISTANT COMPOSITES IN DOORS
- ⑦ 12 GA. PRIME PAINTED STEEL DOOR (STAINLESS STEEL OPTIONAL)
- ⑧ TWO PIECE 12 GA. ADJUSTABLE MOUNTING FLANGE (SHIPPED LOOSE)



REVISIONS		
No.	DESCRIPTION	DATE

COVENANT

Security Equipment

TITLE: **PACKAGE RECEIVER SSPR-2424**

UNLESS OTHERWISE SPECIFIED
ALL DIMENSIONS ARE IN INCHES

PROJECT NAME: _____

SCALE: **NONE**

PROJECT No. _____

DRN. BY: **B. LEWIS**

CHKD. BY: _____

DATE: **02-18-08**

DATE: _____

DRAWING No. **P1013001**

SHEET **1 OF 1**

DRN. BY:	DATE:
B. LEWIS	02-18-08
CHKD. BY:	DATE:
DRAWING No.	SHEET
P1013001	1 OF 1