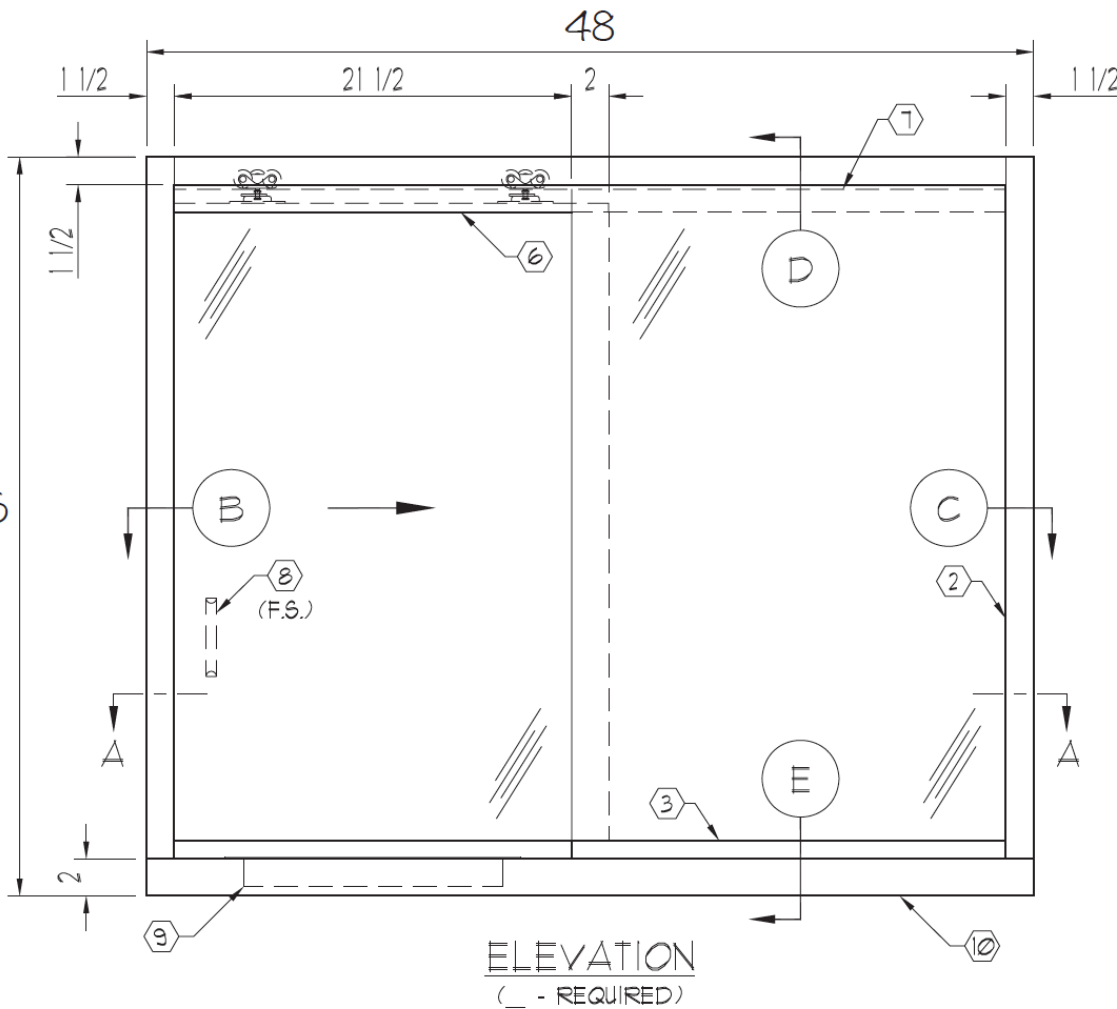
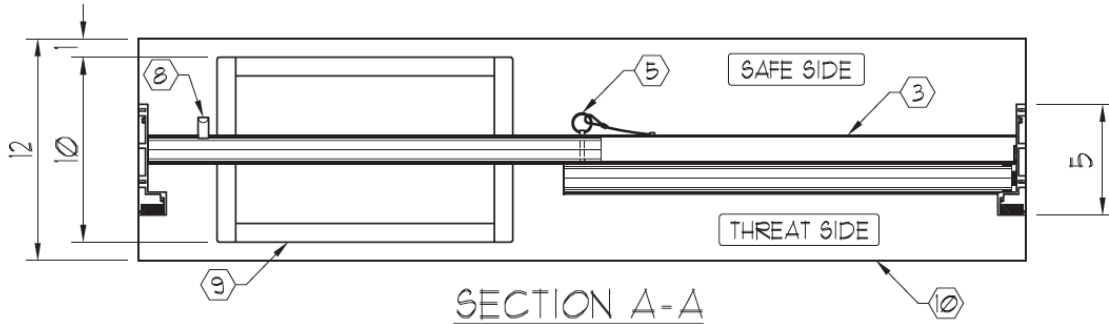



NOTES:

- ① UL LISTED ARMORTEX® BULLET RESISTANT COMPOSITES
- ② EXTRUDED ALUMINUM FRAME (CLEAR ANODIZED)
- ③ 12 GA. STAINLESS STEEL TRACK
- ④ UL LISTED ARMORTEX® BULLET RESISTANT GLAZING TP 300 OR 1 1/4" ACRYLIC
- ⑤ 1/4" Ø QUICK-RELEASE PIN W/ NYLON COATED CABLE
- ⑥ DOUBLE 12 GA. STAINLESS STEEL ROLLER GUARD
- ⑦ ROLLER TRACK (1500 SERIES)
- ⑧ HANDPULL
- ⑨ 16 GA. STAINLESS STEEL DIP TRAY (MODEL RMDT-1016)
- ⑩ HIGH PRESSURE LAMINATED BLACK PLASTIC SHELF (STAINLESS STEEL OPTIONAL)
- ⑪ ANCHORS AS REQUIRED (BY OTHERS)



C:\ARMORTEX MASTERS - 2007\WINDOWS\ALUMINUM\W1011518.DWG.DWG 02/13/07 @ 16:13 User: gperez

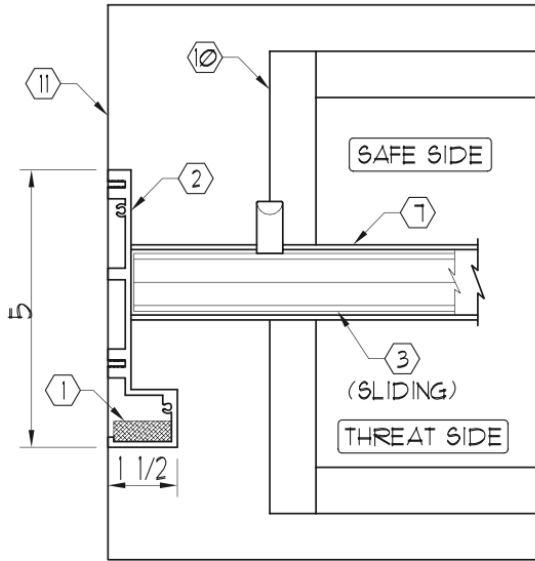
REVISIONS		
No.	DESCRIPTION	DATE

 <p>COVENANT Security Equipment</p>	TITLE: ATX-T4-4836		PROJECT NAME:	
	UNLESS OTHERWISE SPECIFIED ALL DIMENSIONS ARE IN INCHES		SCALE: <u>NONE</u>	PROJECT No. _____

BALLISTIC LEVEL	
DRN. BY:	DATE:
A. Perez	02-16-07
CHKD. BY:	DATE:
DRAWING No.	SHEET
W1011518	1 OF 2

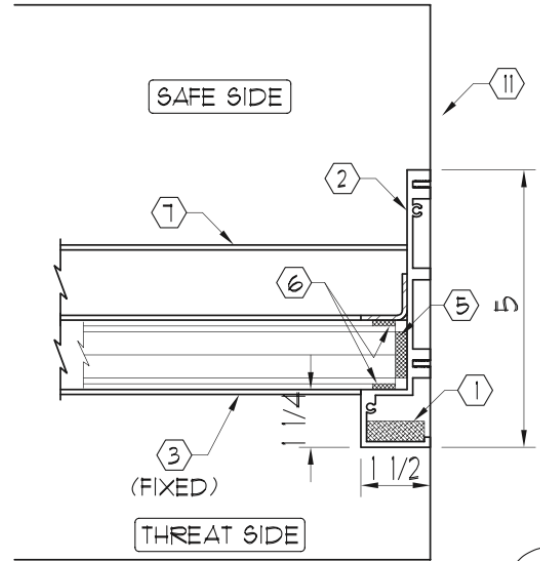
NOTE:

- ① UL LISTED ARMORTEX® BULLET RESISTANT COMPOSITES
- ② EXTRUDED ALUMINUM FRAME (CLEAR ANODIZED)
- ③ UL LISTED ARMORTEX® BULLET RESISTANT GLAZING TP 300 OR 1 1/4" ACRYLIC
- ④ 1/4" Ø QUICK-RELEASE PIN W/ NYLON COATED CABLE
- ⑤ NEOPRENE SETTING BLOCKS
- ⑥ TREMCO-440 GLAZING TAPE
- ⑦ 12 GA. STAINLESS STEEL TRACK
- ⑧ 12 GA. STAINLESS STEEL ROLLER GUARD
- ⑨ ROLLER TRACK (1500 SERIES)
- ⑩ 16 GA. STAINLESS STEEL DIP TRAY (MODEL RMDT-1016)
- ⑪ HIGH PRESSURE LAMINATED BLACK PLASTIC SHELF (STAINLESS STEEL OPTIONAL)



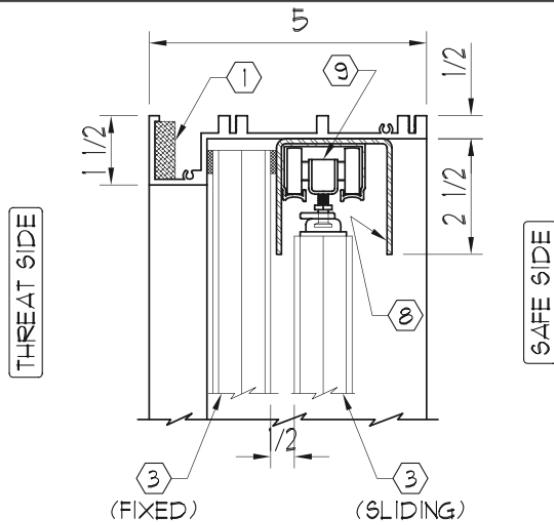
LEFT JAMB

B



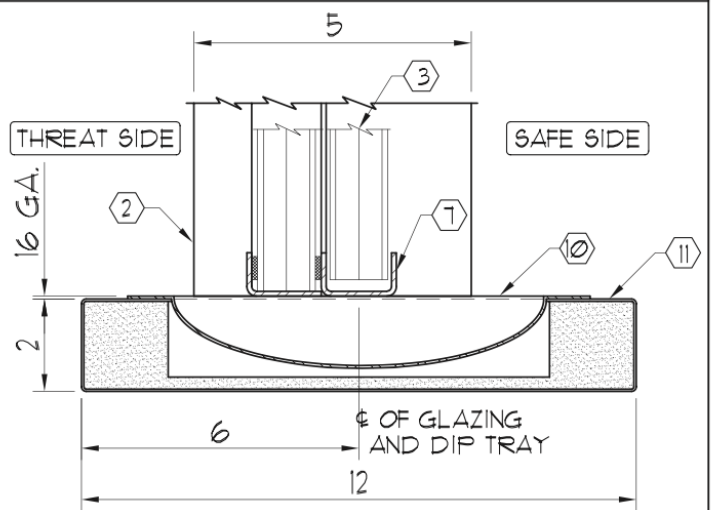
RIGHT JAMB

C



HEAD

D



SILL

E

REVISIONS

No.	DESCRIPTION	DATE



COVENANT
Security Equipment

TITLF:

T4-ATX-4836

PROJECT NAME:

SCALE

NONE

PROJECT No.

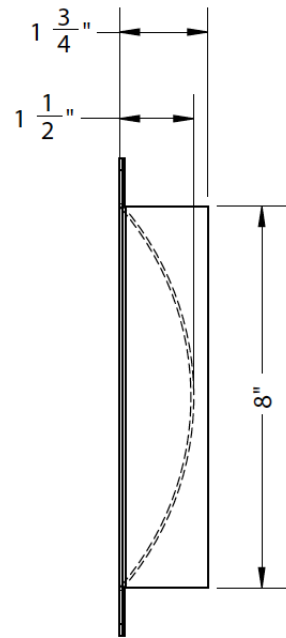
BALLISTIC LEVEL

DRN.BY:	DATE:
A. Perez	02-16-07
CHKD.BY:	DATE:
DRAWING No.	SHEET
W2011518	2 OF 2

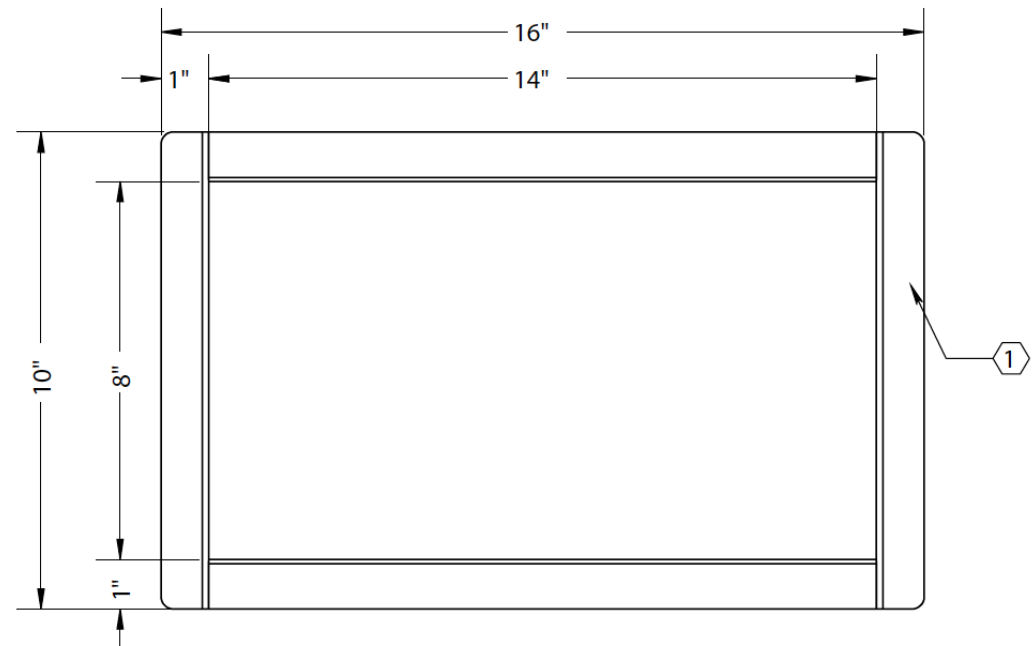
UNLESS OTHERWISE SPECIFIED
ALL DIMENSIONS ARE IN INCHES

NOTES:

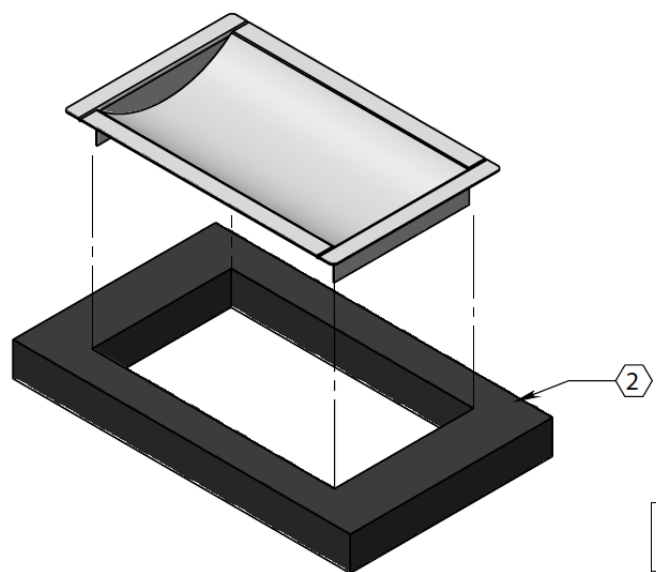
- ① 16 GA. STAINLESS STEEL DIP TRAY WITH #3 SATIN BRUSHED FINISH
- ② COUNTER TOP (AS REQUIRED)
- ③ 14 3/8" X 8 1/4" CUT-OUT REQUIRED



SIDE VIEW
SCALE 1:4



TOP VIEW
SCALE 1:4



SCALE: AS NOTED	TITLE: DEAL TRAY STAINLESS STEEL RMDT-1016
DATE: 06-26-2015	MODEL: TE-DT-10-16
DRAWN BY: M. FREEMAN	SHEET NUMBER: 1 OF 1

UNLESS OTHERWISE SPECIFIED:
 DIMENSIONS ARE IN INCHES
 TOLERANCES:
 FRACTIONAL ±1/16"
 ANGULAR: ±1°
 TWO PLACE DECIMAL ±.01
 THREE PLACE DECIMAL ±.005

