

TITLE:

CSE-F-FSG-1730 Germ Shield

DATE: 03/27/20

USED BY: T.HA

DRAWN BY: T.HA

DATE: 03/27/20

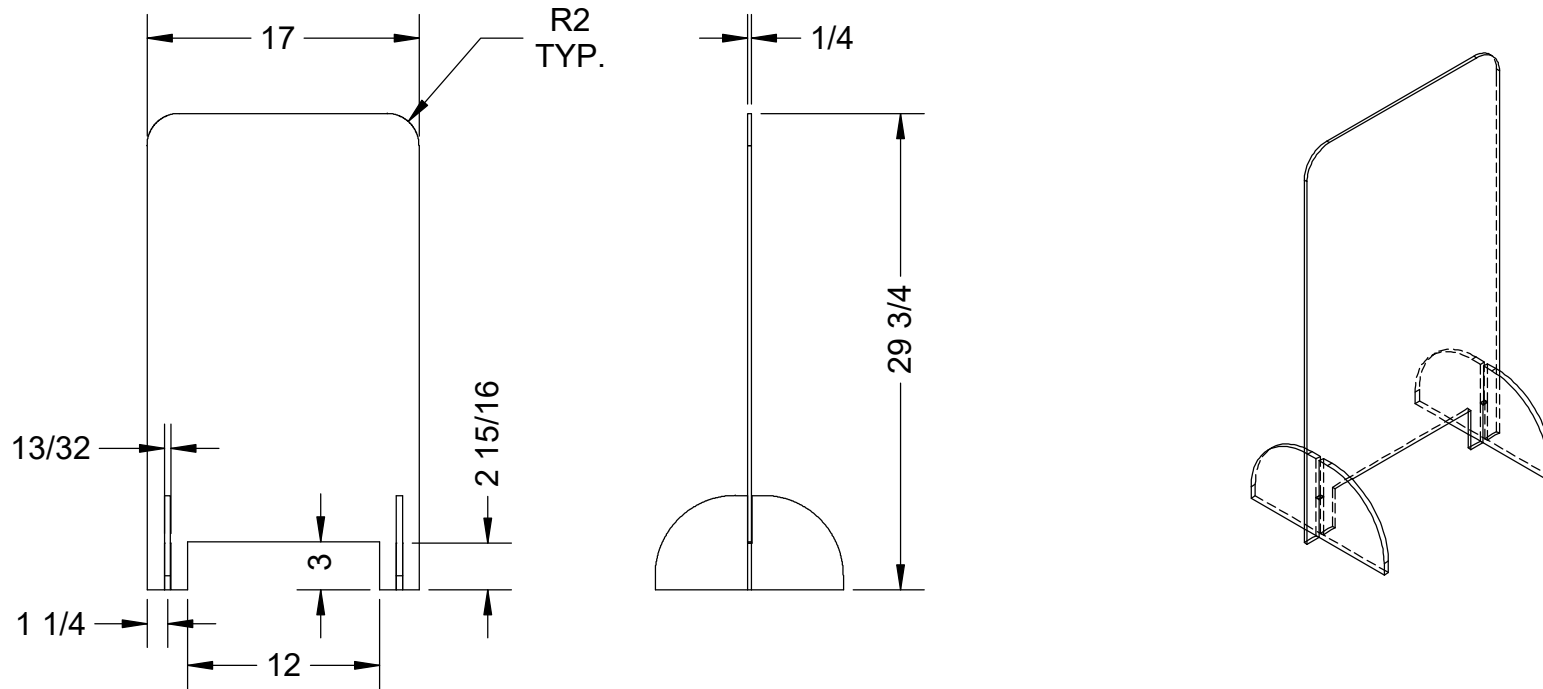
DESIGN BY:

T.HA

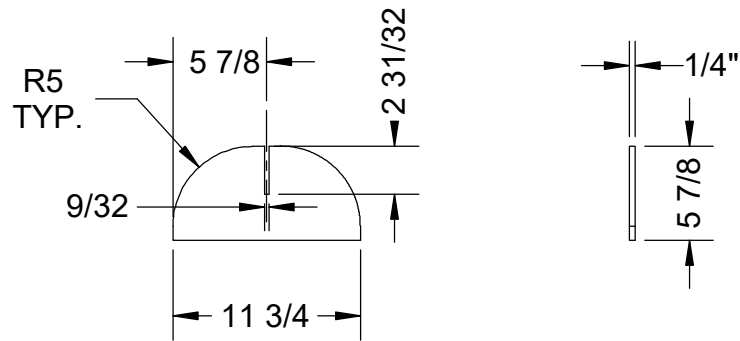
ORDER NO. XXXXX

PACKAGE SHEET: OF

CUSTOMER: FENCO



GERM SHIELD: 1/4" THICK CLEAR POLYMER (1/ ASSY)



FEET: 1/4" THICK POLYMER (2/ASSY)

Last Update: 03/30/20 BT



COVENANT
Security Equipment