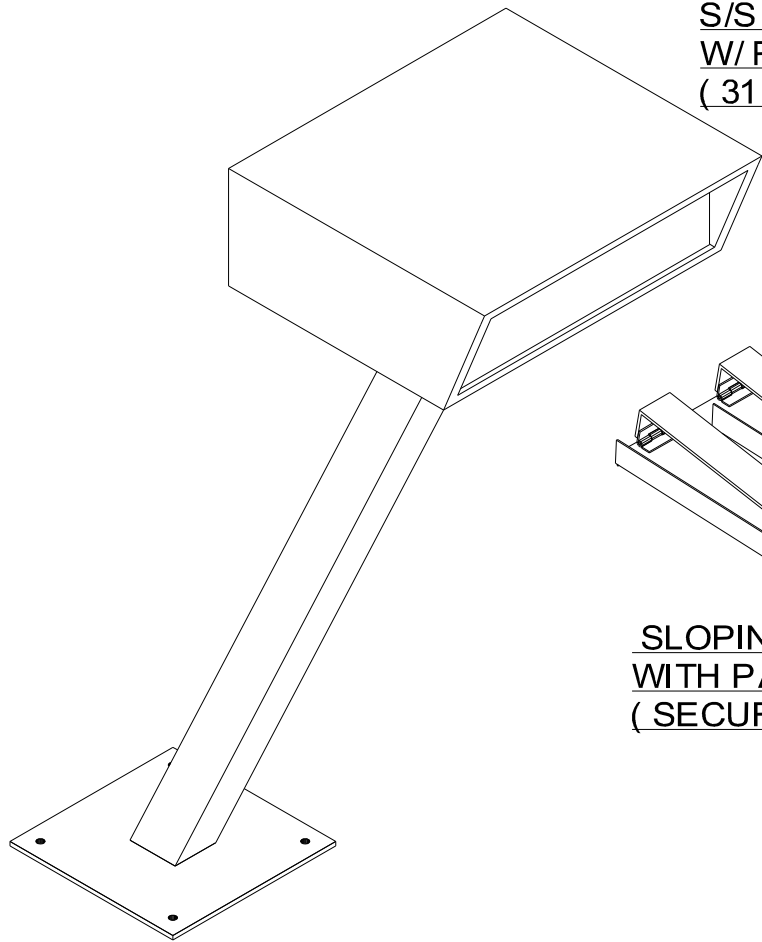
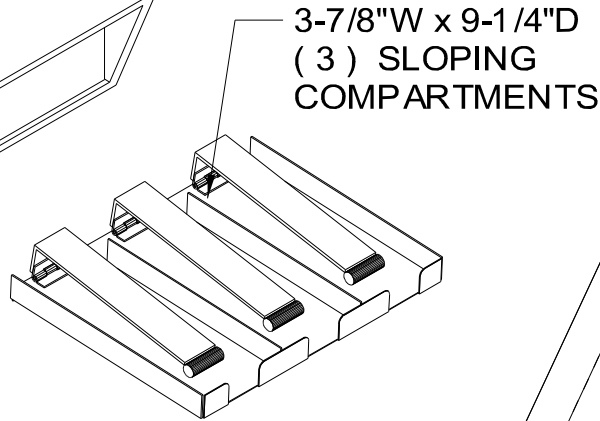


PART NO.:	TITLE:	USED BY:	SCALE: NTS	ORDER NO: -	PACKAGE SHEET: OF
SHEET: OF:	F-P-100A, S/S DRIVE-UP DISPENSER	DATE:	DRN BY: Bolton T. DATE: 04/12/16	CUSTOMER:	

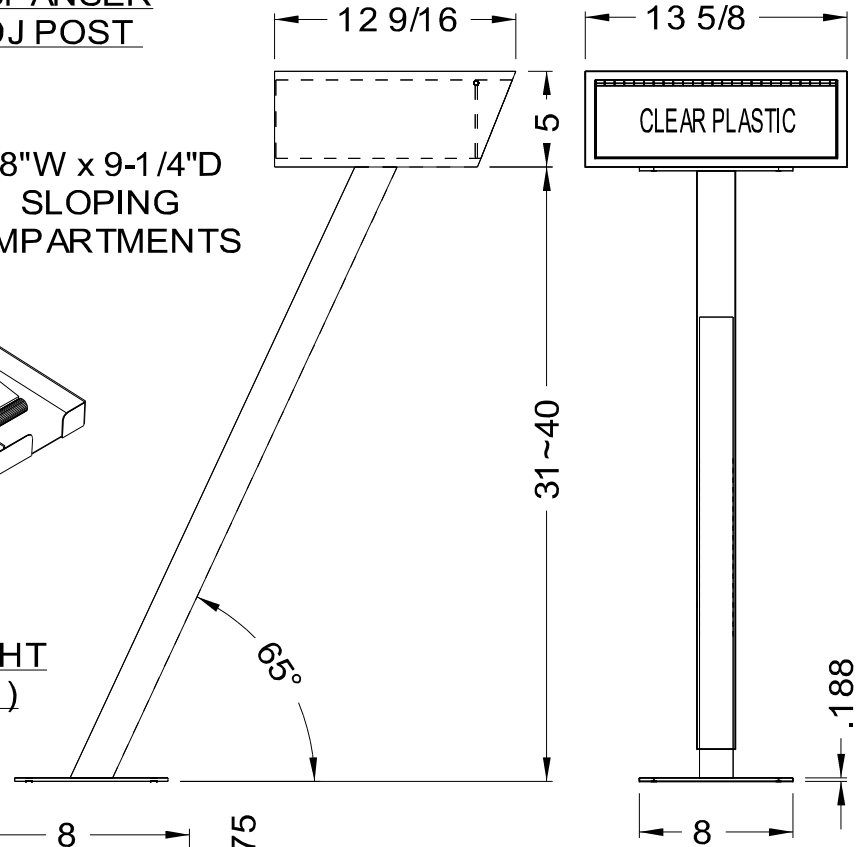


**S/S FORMS DISPENSER
W/ PAINTED ADJ POST
(31" TO 40")**

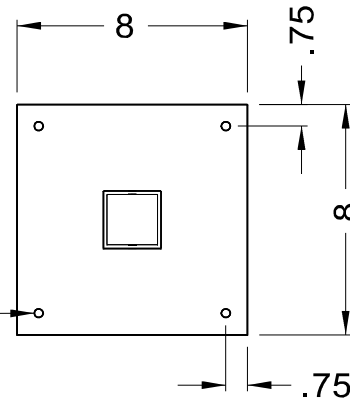


**3-7/8"W x 9-1/4"D
(3) SLOPING
COMPARTMENTS**

**SLOPING INSERT
WITH PAPER WEIGHT
(SECURED INSIDE)**



**Ø .313
(4 PLCS)**



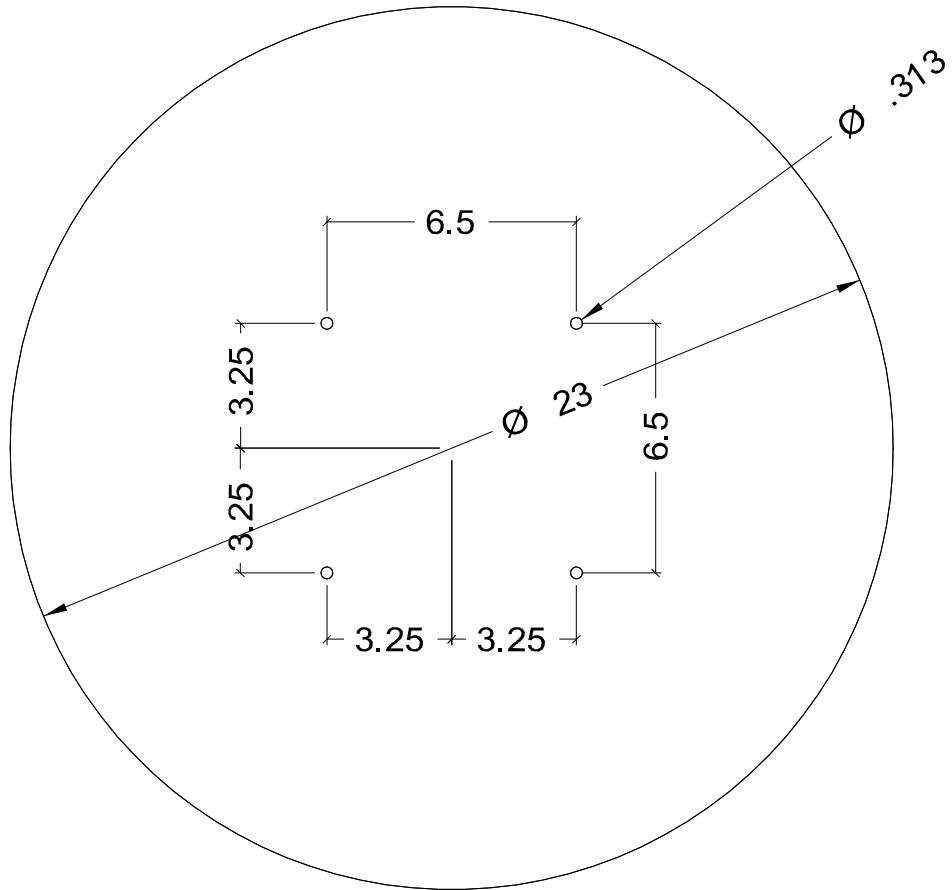
**8"X8" SQ PLATE
W/ (4) 5/16" DIA HOLES**

Last Update: 04/12/2016 - Bolton T.



COVENANT
Security Equipment

PART NO.:	TITLE:	USED BY:	SCALE: NTS	ORDER NO: 91836	PACKAGE SHEET: OF
SHEET: OF:	ROUND BASE, F-P-100 RB	DATE:	DRN BY: Bolton T. DATE: 11/02/07	CUSTOMER:	



BLANK: 23" DIA x 1/4" THICK. (QTY: 1)

Last Update: 05/15/2012 - Bolton T.



COVENANT
Security Equipment