

## General Notes

**Actual Dimension**

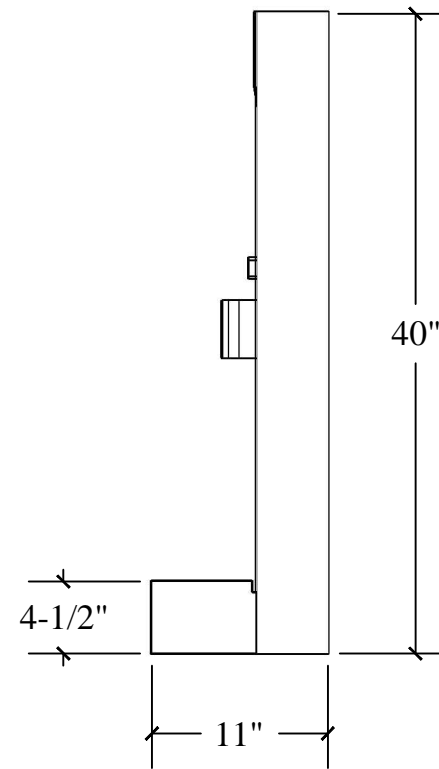
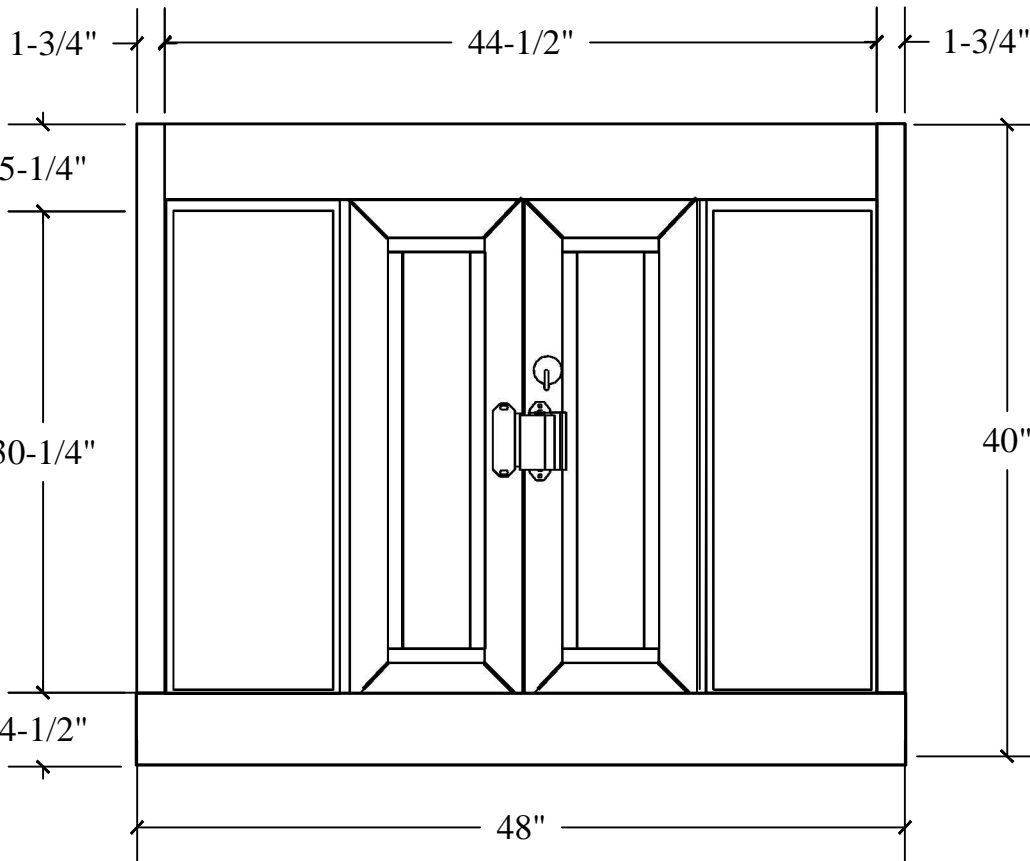
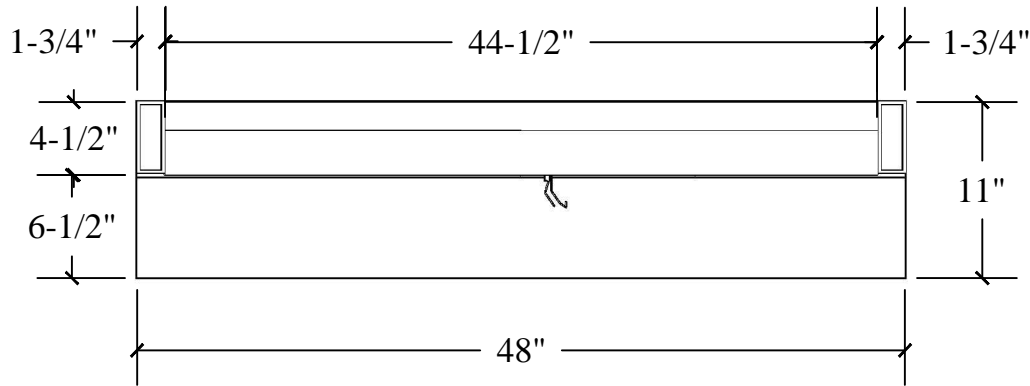
48"(W) x 40"(H)

**Service Opening**

16-1/2"(W) x 30-1/4"(H)

**Rough Opening**

48-3/8"(W) x 40-3/8"(H)



**COVENANT**

Security Equipment

9323 N. Government Way

Hayden, ID 83835

TITLE: BI-PARTING SELF CLOSING WINDOW

Drawing Name  
CSE-QS-BPSC-4840 THREE SIDE VIEW

DATE 06/22/2016	DRAWN BY RBV	SCALE 1:12	SHEET 1 of 4	SIZE A
--------------------	-----------------	---------------	-----------------	-----------

NOTE: THIS DRAWING EMBODIES A CONFIDENTIAL PROPRIETY DESIGN LICENSED BY COVENANT SECURITY EQUIPMENT. IT IS SUBMITTED UNDER A CONFIDENTIAL RELATIONS ALL PATENT. MANUFACTURING AND SALE RIGHTS REGARDING THE SAME ARE RESERVED EXCEPT TO THE EXTENT RIGHTS ARE EXPRESSLY GRANTED TO OTHERS. THE RECIPIENT AGREES BY ACCEPTING HIP. THESE DRAWINGS NOT TO SUPPLY OR DISCLOSE ANY INFORMATION REGARDING THEM TO ANY UNAUTHORIZED PERSON.