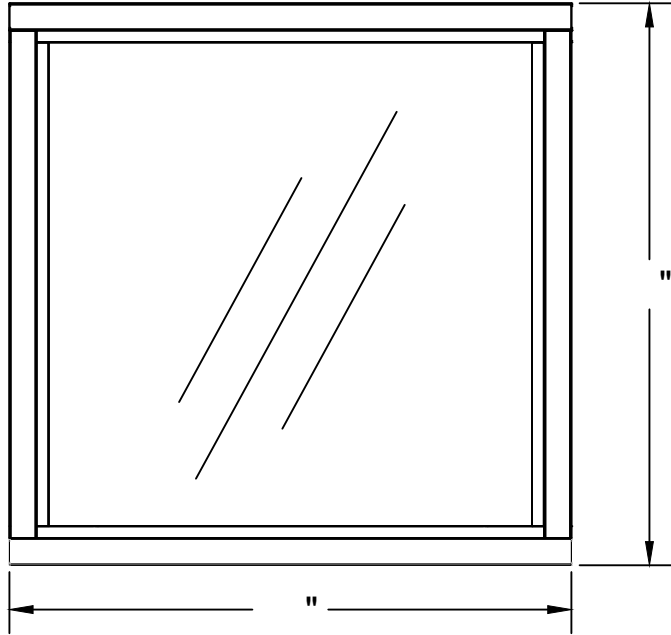
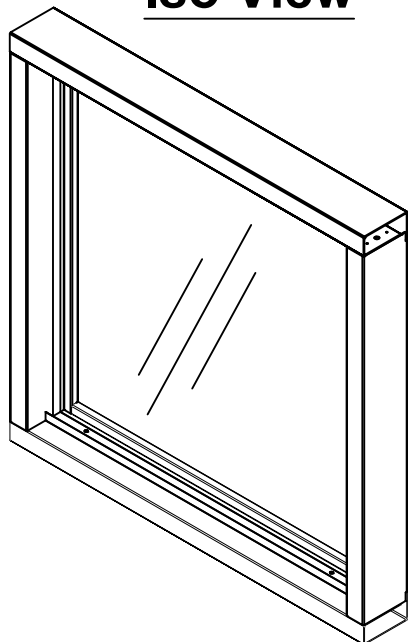


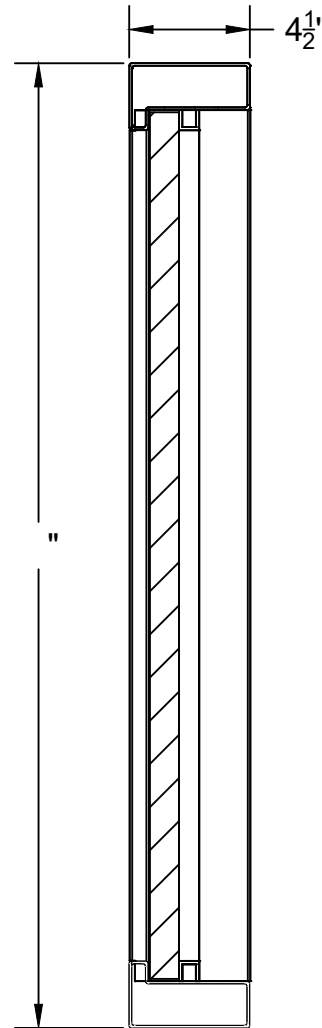
# Interior Front View



# Iso View



# Side View



**COVENANT**  
Security Equipment

**PLEASE SELECT:**

**1. FRAMING:**

- Aluminum
- Loaded Frame

**2. FRAME COLOR:**

- Bronze Anodized
- Clear Anodized

Other: \_\_\_\_\_

**3. GLAZING:**

- 1/4" Tempered
- 5/8" or 1" Insulated
- 3/4" Poly - L1
- 1-1/4" Acrylic - L1
- 1-1/4" Poly - L3
- 1-1/4" Acrylic - L3
- 7/8" Storm Impact

Other: \_\_\_\_\_

**4. SPEAKER:**

- 6" BR Speak-Thru (L3)
- 5" Non-BR Speak Plate
- SC-100 Amplified
- SC-100L Amplified
- Speak Around

**Key Notes**

**Unit:**

FIXED FRAME

**Actual Dimension:**

"(W) x "(H)

**Rough Opening:**

"(W) x "(H)

**Engineer Notes**

Date drawn: 10/21/19

Drawn by: A.V.

File name: Fixed-Frame Fill-In Covenant

Page:

Scale: NTS

NOTE: THIS DRAWING EMBODIES A CONFIDENTIAL PROPRIETY DESIGN ORIGINATED AND OWNED BY COVENANT SECURITY EQUIPMENT SUBMITTED UNDER A CONFIDENTIAL RELATIONS ALL PATENT, MANUFACTURING, SALE RIGHTS REGARDING THE SAME ARE RESERVED EXCEPT TO THE EXTENT RIGHTS ARE EXPRESSLY GRANTED TO OTHERS. THE RECIPIENT AGREES BY ACCEPTING HIP. THESE DRAWINGS NOT TO SUPPLY OR DISCLOSE ANY INFORMATION REGARDING THEM TO ANY UNAUTHORIZED PERSON.

SIGNATURE: \_\_\_\_\_

DATE: \_\_\_\_\_