

**APPROVAL  
STATUS STAMP**

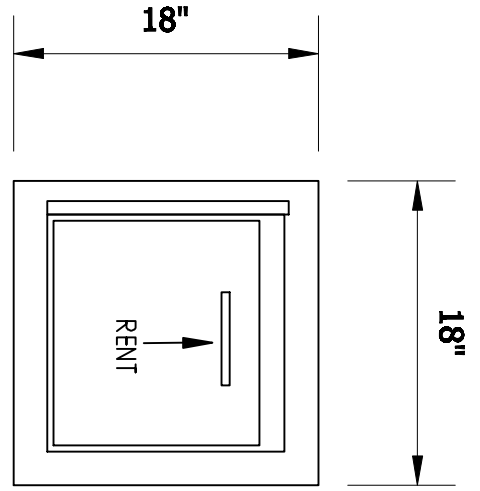
- Approved
- Approved with  
Indicated changes
- Rejected

The undersigned being an authorized representative of the purchaser hereby accepts this drawing as indicated and assumes responsibility for the compatibility of this equipment with the projects requirements and directs the manufacturer to proceed with production of this equipment per these drawings.

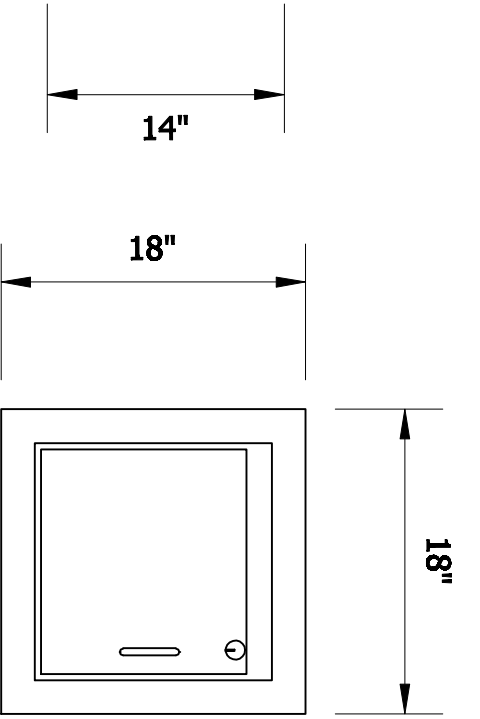
By: \_\_\_\_\_

Date: \_\_\_\_\_

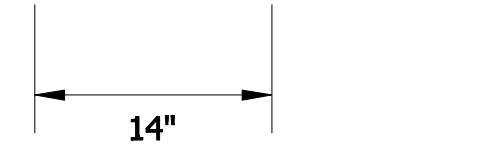
Drawn by: **GMIN**      Date: **8/ 2/17**



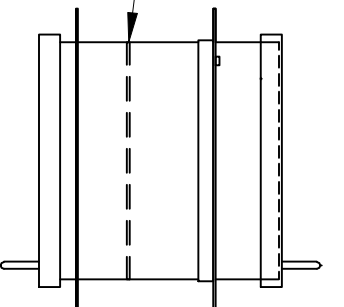
**EXTERIOR ELEVATION  
Door closed**



**EXTERIOR ELEVATION  
Door closed**



**PLAN VIEW**



**PLAN VIEW**