

General Notes

Actual Dimension
32-3/8"(W) x 49-1/4"(H)

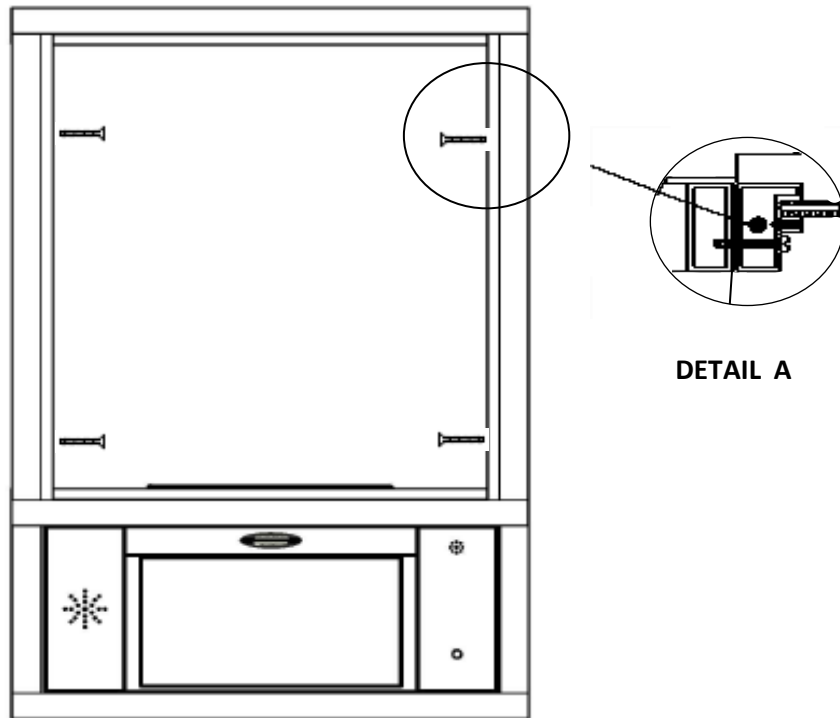
Rough Opening
32-3/4"(W) x 49-5/8"(H)

NOTE 1:
Aluminum framing is not bullet resistant rated.

NOTE 2:
Anchor screws to be supplied by contractor.
(See Anchor Schedule)

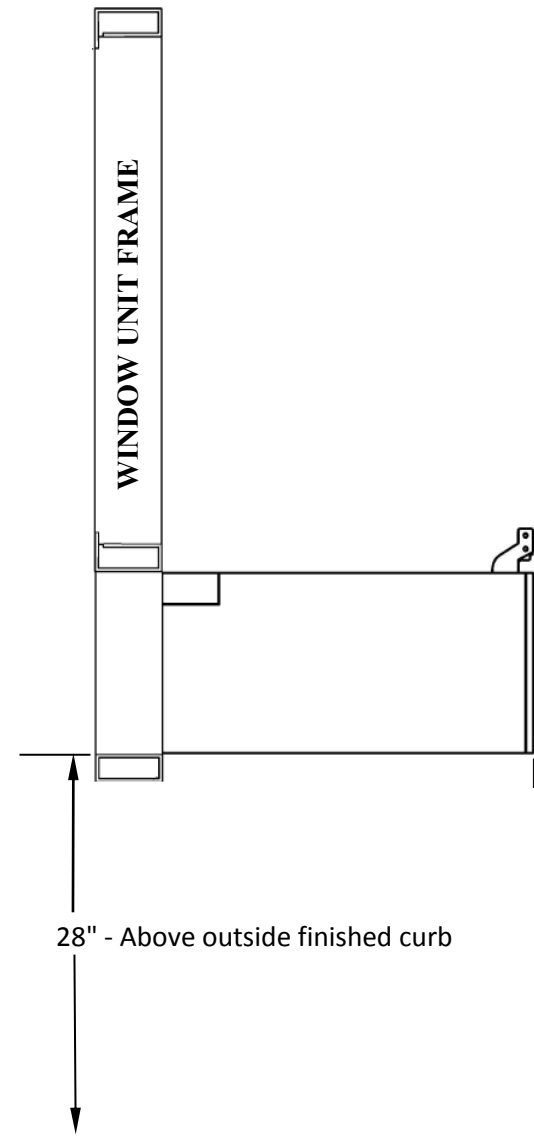
TYPICAL QSP-713S MINI INSTALLATION

1. Window must be installed level and square to work properly.
2. Anchor through each side jamb through the pre-drilled holes. (See FIGURE 1)
3. Recommended height from floor to the bottom of the Window Unit Assembly to be 28". (Check all local & city codes)
4. All other type of anchoring to be approved by certified engineer



DETAIL A

FIGURE 1



28" - Above outside finished curb

CAUTION:
Use caution when anchoring any other way. All Thread Rods are located in each side jamb. (See DETAIL A)

ANCHOR SCHEDULE

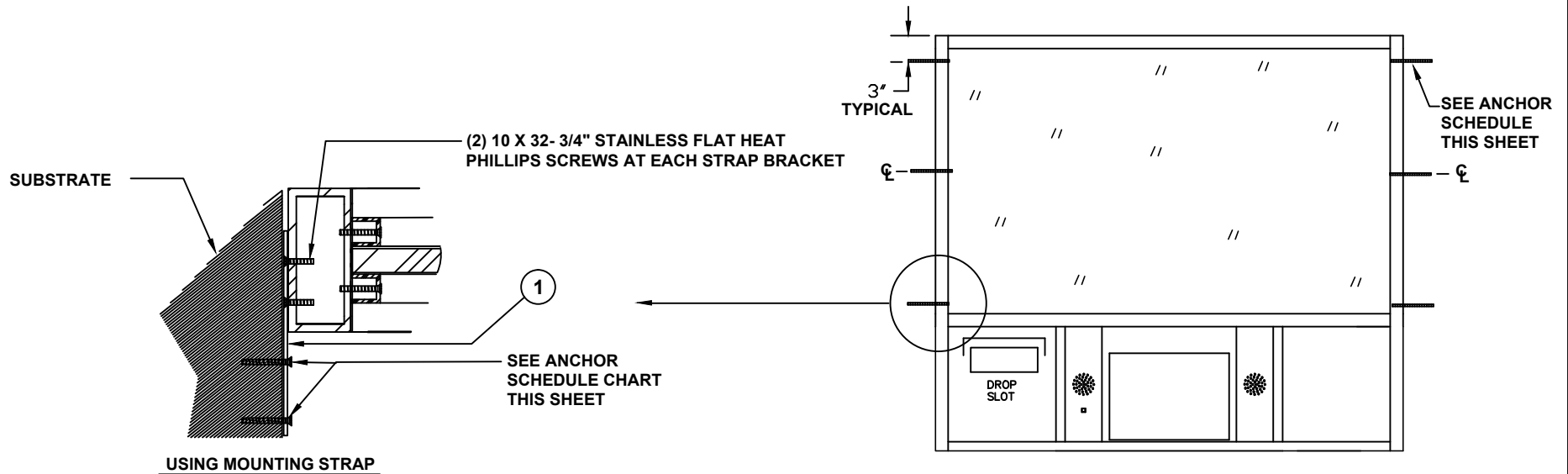
SUBSTRATE	ANCHOR	MINIUM PENETRATION INTO SUBSTRATE
STEEL (16 GA. MIN.)	1/4" SHEET METAL SCREWS	MIN. PROTRUSION OF 3 THREADS BEYOND FULL ENGAGEMENT
CONCRETE	1/4" DIAMETER CONCRETE SCREW	1.25" INTO CONCRETE
WOOD BUCK	# 14 WOOD SCREW	1.50" INTO WOOD (REQUIRES DOUBLE 2X BUCK)

NOTE: THIS DRAWING EMBODIES A CONFIDENTIAL PROPRIETY DESIGN ORIGINATED AND OWNED BY COVENANT SECURITY EQUIPMENT, AND IS SUBMITTED UNDER A CONFIDENTIAL RELATIONS ALL PATENT, MANUFACTURING, SALE RIGHTS REGARDING THE SAME ARE RESERVED EXCEPT TO THE EXTENT RIGHTS ARE EXPRESSLY GRANTED TO OTHERS. THE RECIPIENT AGREES BY ACCEPTING HIP. THESE DRAWINGS NOT TO SUPPLY OR DISCLOSE ANY INFORMATION REGARDING THEM TO ANY UNAUTHORIZED PERSON.

CE COVENANT
Security Equipment
www.covenantsecurityequipment.com

TITLE: INSTALLATION PROCEDURE				
Drawing Name: CSE-PCJ-130-Mini Installation				
DATE	DRAWN BY	SCALE	SHEET	SIZE
6/17/2016	RBV	NTS	1 of 1	A

CSE-QS-PCJ-130 INSTALLATION ANCHOR SCHEDULE

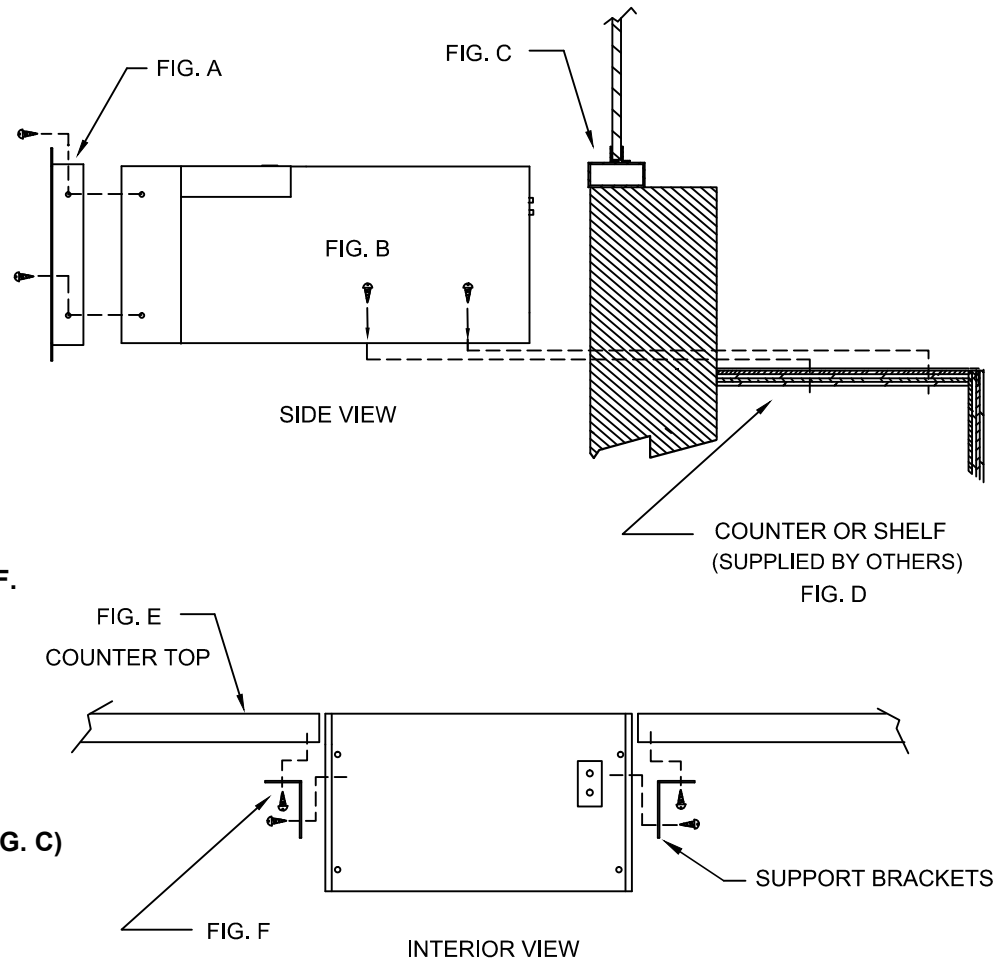


ANCHOR SCHEDULE		
SUBSTRATE	ANCHOR	MINIUM PENETRATION INTO SUBSTRATE
STEEL (16 GA. MIN.)	1/4" SHEET METAL SCREWS	MIN. PROTRUSION OF 3 THREADS BEYOND FULL ENGAGEMENT
CONCRETE	1/4" DIAMETER CONCRETE SCREW	1.25" INTO CONCRETE
WOOD BUCK	# 14 WOOD SCREW	1.50" INTO WOOD (REQUIRES DOUBLE 2X BUCK)

	COVENANT Security Equipment	ANCHOR SCHEDULE Aluminum Commercial Pass-Thru Window		
	DRAWING DATE: 01-25-2010	SIZE FSCM NO.	DWG. NO. PCJ-130	REV 1
DRAWN BY: BRIAN C.	NO SCALE	SHEET: 1 of 1		

TYPICAL QSP-713E INSTALLATION

- 1) DRAWER MUST BE INSTALLED LEVEL AND SQUARE TO WORK PROPERLY.
- 2) ANCHOR SCREWS TO BE SUPPLIED BY CONTRACTOR.
- 3) SLIDE DRAWER THROUGH ROUGH OPENING FROM THE INTERIOR SIDE TO THE EXTERIOR.
- 4) ATTACH FLANGE TO OUTSIDE OF DRAWER USING THE THE 4 SCREWS SUPPLIED TO THE PRE- TAPPED HOLES ON THE SIDE OF DRAWER. (SEE FIG. A)
- 5) SLIDE DRAWER FLUSH WITH EXTERIOR WALL.
- 6) ANCHOR BOTTOM OF DRAWER TO COUNTER TOP OR SHELF. (SEE FIG. B & D)
- 7) IF MOUNTING INTO CABINETY OR FLUSH WITH COUNTER USE THE 2 SUPPORT BRACKETS SUPPLIED. DO NOT DRILL THROUGH INTERIOR DRAWER WALL. USE NO LARGER THAN 1/2" SCREWS. (SEE FIG. E & F)
- 8) MAXIMUM MULLION WIDTH (DEPTH) ABOVE DRAWER TO BE NO MORE THAN 8" FOR MAXIMUM TRANSFER AREA. (SEE FIG. C)
- 9) BACK PANEL OF DRAWER MUST BE ACCESSIBLE TO SERVICE DRAWER.
- 10) SILICONE ALL EXTERIOR AND INTERIOR JOINTS.
- 11) ALL OTHER TYPE OF ANCHORING TO BE APPROVED BY CERTIFIED ENGINEER.



NOTE: THIS DRAWING EMBODIES A CONFIDENTIAL PROPRIETY DESIGN ORIGINATED AND OWNED BY COVENANT SECURITY EQUIPMENT, AND IS SUBMITTED UNDER A CONFIDENTIAL RELATIONSHIP. ALL PATENT, MANUFACTURING, SALE RIGHTS REGARDING THE SAME ARE RESERVED EXCEPT TO THE EXTENT RIGHTS ARE EXPRESSLY GRANTED TO OTHERS. THE RECIPIENT AGREES BY ACCEPTING THESE DRAWINGS NOT TO SUPPLY OR DISCLOSE ANY INFORMATION REGARDING THEM TO ANY UNAUTHORIZED PERSON.

Rough Opening:
28-7/8" (W) X 11-7/8" (H)

Actual Dimension:
28-1/2" (W) X 11-1/2" (H)

Transfer Area:
13" (W) X 6-1/2" (H) X 19" (D)



COVENANT
Security Equipment

CSE-QS-QSP-713 Electric Installation Drawing

Drawing Name:
QSP-713E Installation Drawing

Scale:
N/A

Date:
10/16/2014

Drawn By:
BC

Rev.
1