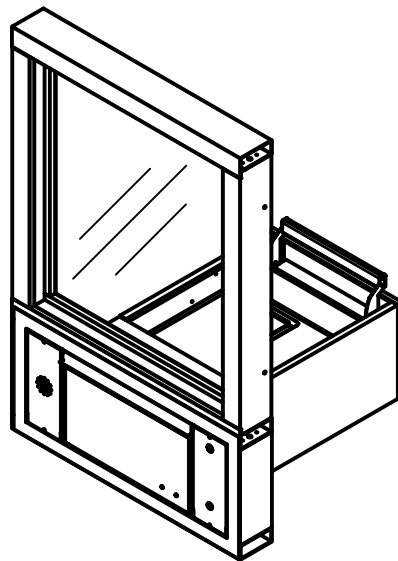
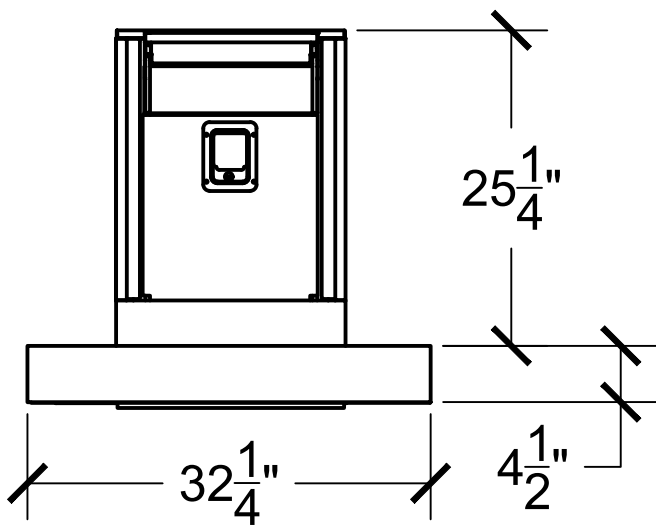
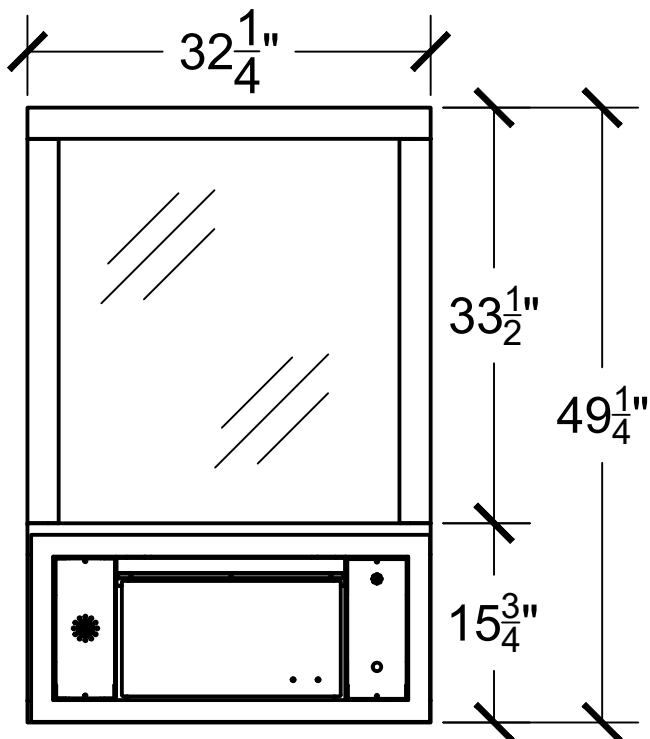


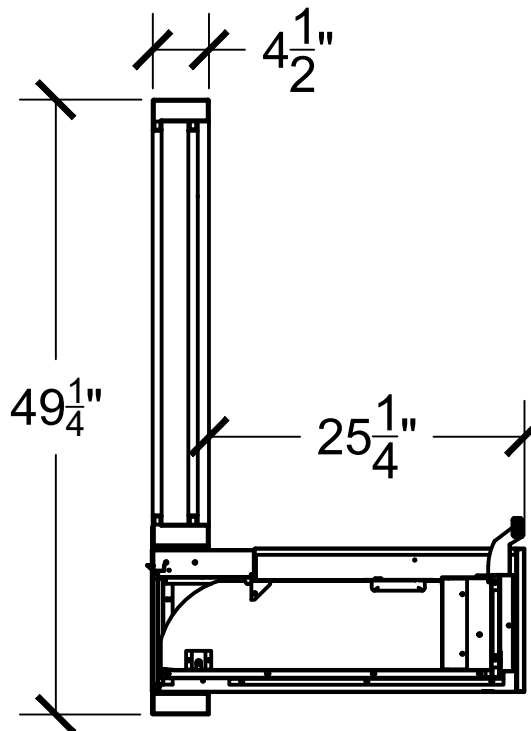
Top View



Interior Front View



Side View



COVENANT
Security Equipment

www.covenantsecurityequipment.com

PLEASE SELECT:

1. FRAMING:

- Aluminum Loaded Frame

2. FRAME COLOR:

- Bronze Anodized Clear Anodized

Other: _____

3. GLAZING:

- 1" Insulated 1-1/4" Acrylic - L1

- 3/4" Poly - L1 1-1/4" Acrylic - L3

- 1-1/4" Poly - L3 1-1/4" Acrylic - L3

- Storm Impact Low-E

Other: _____

Key Notes

Unit:

CSE-QS-PCJ-130-Mini

Actual Dimension:

32 ¹/₄"(W) x 49 ¹/₄"(H)

Rough Opening:

32 ⁵/₈"(W) x 49 ⁵/₈"(H)

Engineer Notes

Date drawn:12/03/19

Drawn by:A.V.

File name:QSP-713M MINI COMBO

Page: 1 of 1

Scale:1:16

NOTE: THIS DRAWING EMBODIES A CONFIDENTIAL PROPRIETY DESIGN ORIGINATED AND OWNED BY COVENANT SECURITY EQUIPMENT, AND IS SUBMITTED UNDER A CONFIDENTIAL RELATIONS ALL PATENT, MANUFACTURING, SALE RIGHTS REGARDING THE SAME ARE RESERVED EXCEPT TO THE EXTENT RIGHTS ARE EXPRESSLY GRANTED TO OTHERS. THE RECIPIENT AGREES BY ACCEPTING THESE DRAWINGS NOT TO SUPPLY OR DISCLOSE ANY INFORMATION REGARDING THEM TO ANY UNAUTHORIZED PERSONAL.

SIGNATURE: _____

DATE: _____

General Notes

Actual Dimension

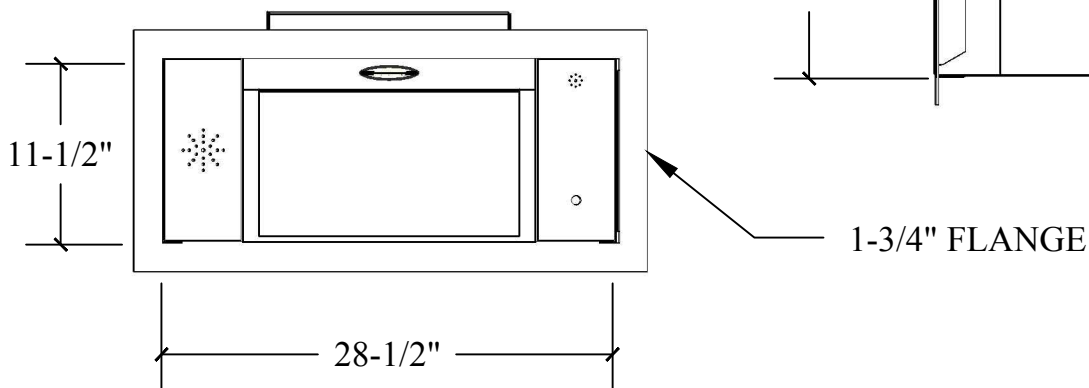
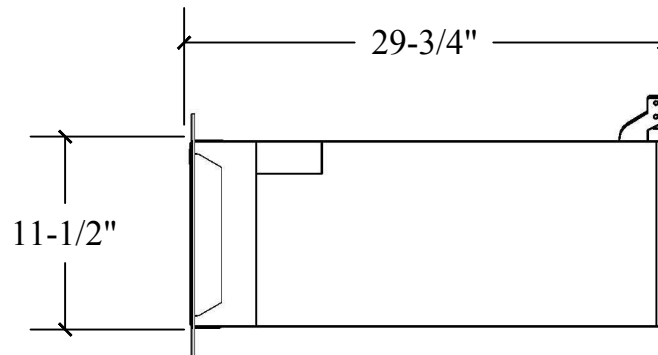
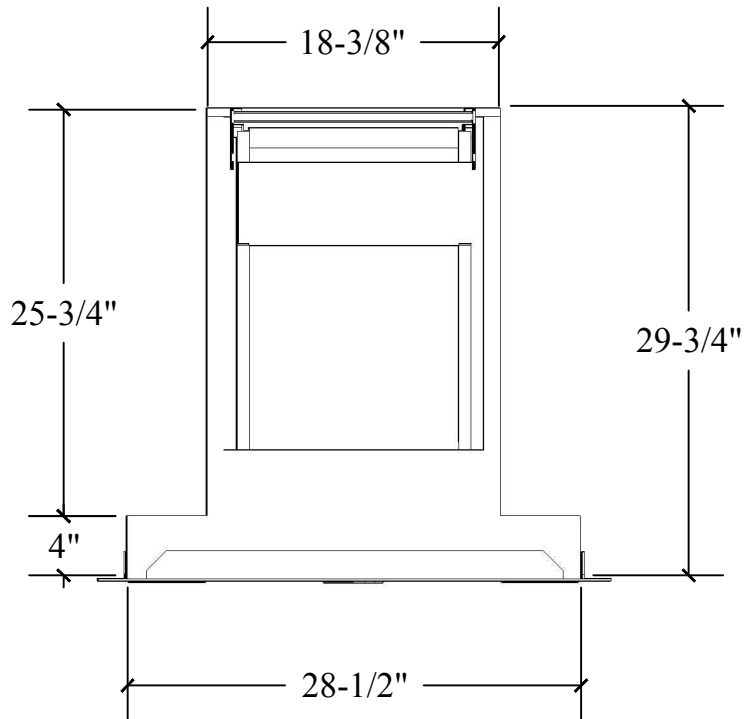
28-1/2"(W) x 11-1/2"(H)

Transfer Area

13"(W) x 7-1/2"(H) x 19-1/4"(D)

Rough Opening

28-7/8"(W) x 11-7/8"(H)



TITLE: **CSE-QS-QSP-713S**

Drawing Name: **QSP-713S MAIN VIEW**

DATE 7/13/2016	DRAWN BY RBV	SCALE 1:12	SHEET 2 of 4	SIZE A
-------------------	-----------------	---------------	-----------------	------------------

NOTE: THIS DRAWING EMBODIES A CONFIDENTIAL PROPRIETY DESIGN ORIGINATED AND OWNED BY COVENANT SECURITY EQUIPMENT., AND IS SUBMITTED UNDER A CONFIDENTIAL RELATIONS ALL PATENT, MANUFACTURING, SALE RIGHTS REGARDING THE SAME ARE RESERVED EXCEPT TO THE EXTENT RIGHTS ARE EXPRESSLY GRANTED TO OTHERS. THE RECIPIENT AGREES BY ACCEPTING HIP. THESE DRAWINGS NOT TO SUPPLY OR DISCLOSE ANY INFORMATION REGARDING THEM TO ANY UNAUTHORIZED PERSON.