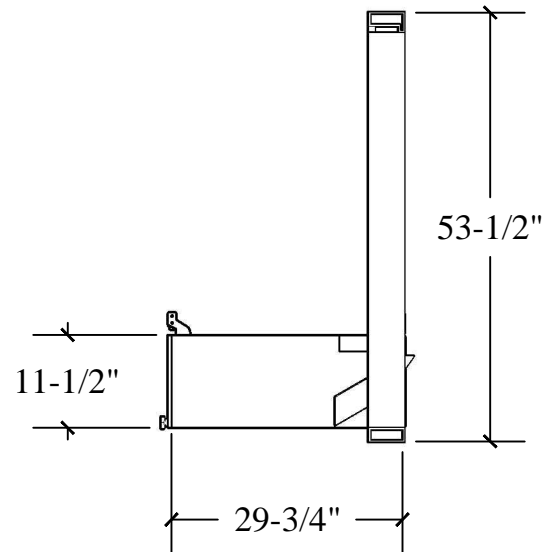
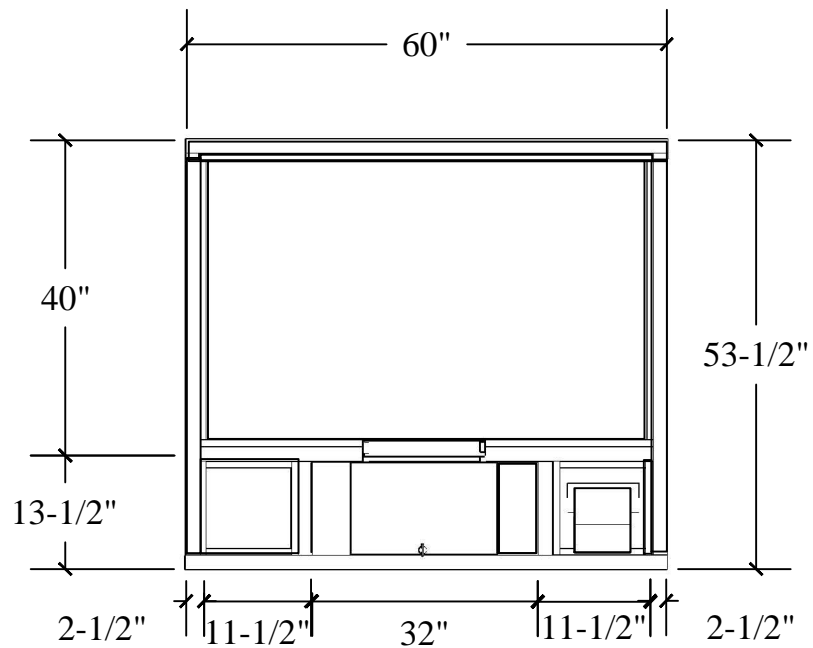
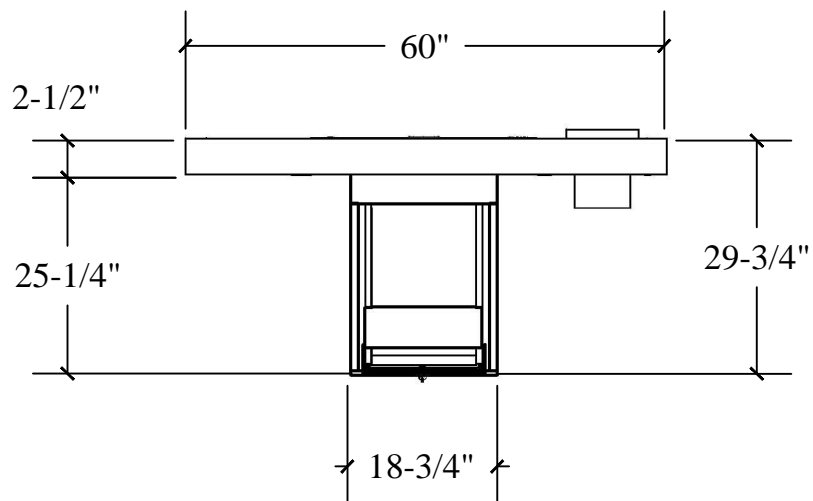


General Notes

Actual Dimension
60"(W) x 53-1/2"(H)

Rough Opening
60-1/2"(W) x 54"(H)



COVENANT
Security Equipment
9323 N. Government Way
Hayden, ID 83835

TITLE:
CSE-QS-PCJ-130 PHARMACY PACKAGE

Drawing Name
CSE-QS-PCJ-130 DRAWER THREE SIDE VIEW

DATE 6/30/2016	DRAWN BY RBV	SCALE 1:24	SHEET 1 of 4	SIZE A
-------------------	-----------------	---------------	-----------------	------------------

NOTE: THIS DRAWING EMBODIES A CONFIDENTIAL PROPRIETY DESIGN LICENSED BY COVENANT SECURITY EQUIPMENT. IT IS SUBMITTED UNDER A CONFIDENTIAL RELATIONS ALL PATENT. MANUFACTURING AND SALE RIGHTS REGARDING THE SAME ARE RESERVED EXCEPT TO THE EXTENT RIGHTS ARE EXPRESSLY GRANTED TO OTHERS. THE RECIPIENT AGREES BY ACCEPTING HIP. THESE DRAWINGS NOT TO SUPPLY OR DISCLOSE ANY INFORMATION REGARDING THEM TO ANY UNAUTHORIZED PERSON.