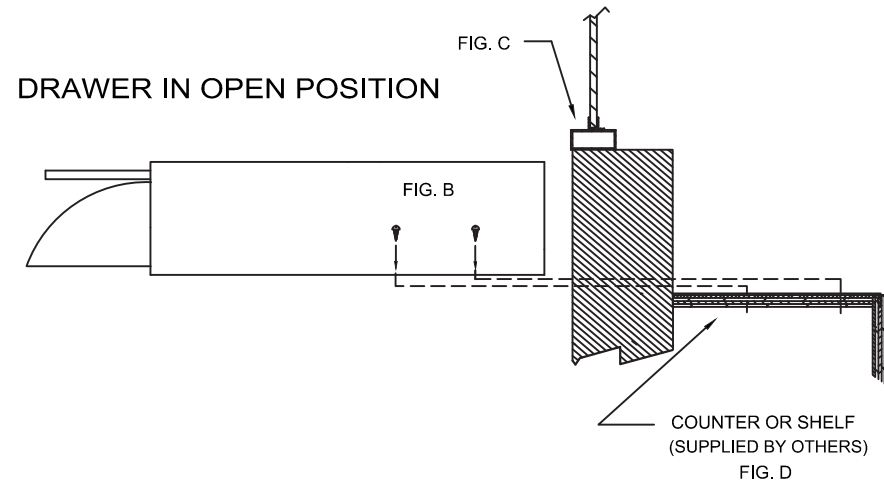


# TYPICAL PIZZA DRAWER INSTALLATION

- 1) PIZZA DRAWER MUST BE INSTALLED LEVEL AND SQUARE TO WORK PROPERLY.
- 2) ANCHOR SCREWS TO BE SUPPLIED BY CONTRACTOR.
- 3) SLIDE PIZZA BOX THROUGH ROUGH OPENING FROM THE INTERIOR SIDE TO THE EXTERIOR.
- 5) SLIDE PIZZA BOX SO MULLION MATCHES UP WITH DEAL TRAY. (SEE FIG. C)
- 6) ANCHOR BOTTOM OF PIZZA BOX TO COUNTER TOP OR SHELF. (SEE FIG. B & D)
- 8) BACK PANEL OF DRAWER MUST BE ACCESSIBLE TO LOAD DRAWER AND ENOUGH ROOM FOR HANDLE..
- 9) SILICONE ALL EXTERIOR AND INTERIOR JOINTS.
- 10) ALL OTHER TYPE OF ANCHORING TO BE APPROVED BY CERTIFIED ENGINEER.



NOTE: THIS DRAWING EMBODIES A CONFIDENTIAL PROPRIETY DESIGN ORIGINATED AND OWNED BY COVENANT SECURITY EQUIPMENT, AND IS SUBMITTED UNDER A CONFIDENTIAL RELATIONSHIP. ALL PATENT, MANUFACTURING, SALE RIGHTS REGARDING THE SAME ARE RESERVED EXCEPT TO THE EXTENT RIGHTS ARE EXPRESSLY GRANTED TO OTHERS. THE RECIPIENT AGREES BY ACCEPTING THESE DRAWINGS NOT TO SUPPLY OR DISCLOSE ANY INFORMATION REGARDING THEM TO ANY UNAUTHORIZED PERSON.

**Rough Opening:**  
24-5/8" (W) X 8-7/8" (H)

**Actual Dimension:**  
24-1/4" (W) X 8-1/2" (H)

**Transfer Area:**  
20" (W) X 4-1/2" (H) X 21"(D)



**COVENANT**  
Security Equipment

www.covenantsecurityequipment.com

## PIZZA DRAWER INSTALLATION

Drawing Name:  
PIZZA DRAWER INSTALLATION

Scale:  
N/A

Date:  
10/16/2014

Drawn By:  
MM

Rev.