

## General Notes

### Actual Dimension

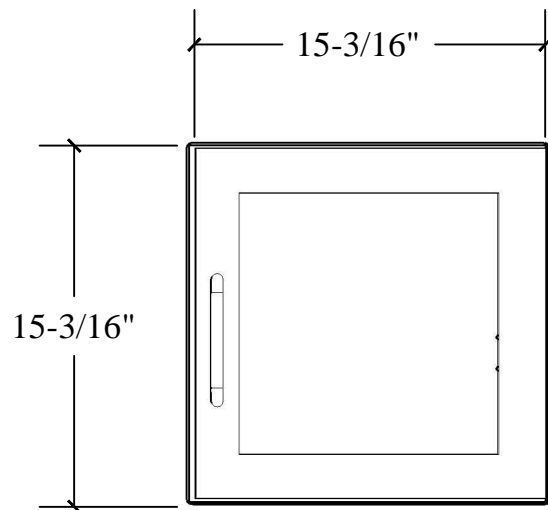
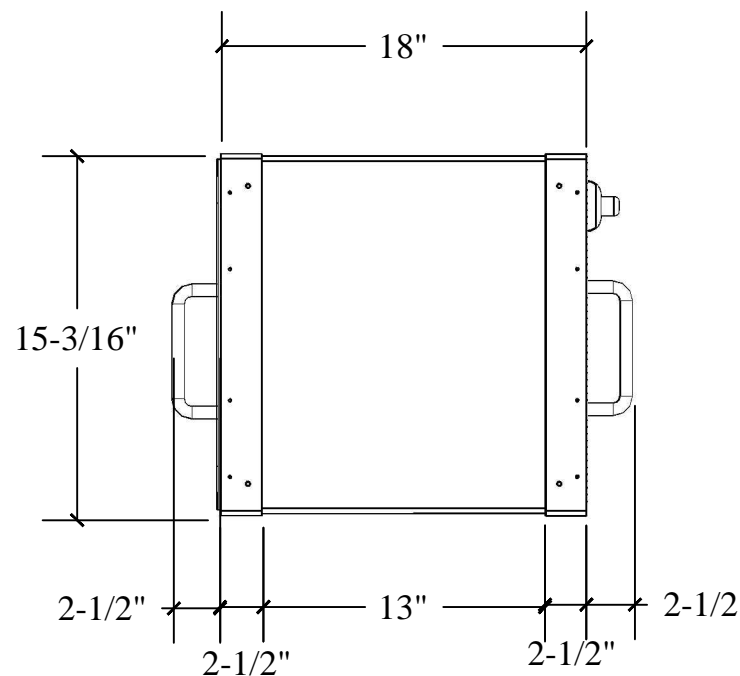
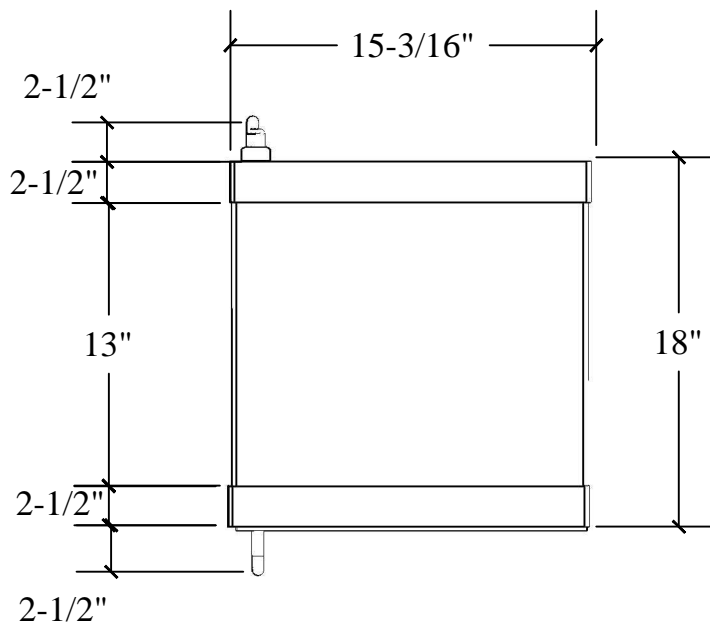
15-3/16"(W) x 15-3/16"(H)

### Transfer Area

13-3/4"(W) x 13"(H) x 15-3/8"(D)

### Rough Opening

15-1/2"(W) x 15-1/2"(H)



**COVENANT**  
Security Equipment

TITLE: PR-1515 GLASS DOOR PACKAGE RECEIVER

Drawing Name PR-1515 GLASS DOOR THREE SIDE VIEW

DATE 6/22/2016	DRAWN BY RBV	SCALE 1:8	SHEET 1 of 1	SIZE A
-------------------	-----------------	--------------	-----------------	-----------

NOTE: THIS DRAWING EMBODIES A CONFIDENTIAL PROPRIETY DESIGN ORIGINATED AND OWNED BY QUIKSERV CORP., AND IS SUBMITTED UNDER A CONFIDENTIAL RELATIONS ALL PATENT, MANUFACTURING, SALE RIGHTS REGARDING THE SAME ARE RESERVED EXCEPT TO THE EXTENT RIGHTS ARE EXPRESSLY GRANTED TO OTHERS. THE RECIPIENT AGREES BY ACCEPTING HIP. THESE DRAWINGS NOT TO SUPPLY OR DISCLOSE ANY INFORMATION REGARDING THEM TO ANY UNAUTHORIZED PERSON.