

## General Notes

**Actual Dimension**  
15-3/16"(W) x 15-3/16"(H)

**Transfer Area**  
13-3/4"(W) x 13"(H) x 15-3/8"(D)

**Rough Opening**  
15-1/2"(W) x 15-1/2"(H)

### Installation Procedure

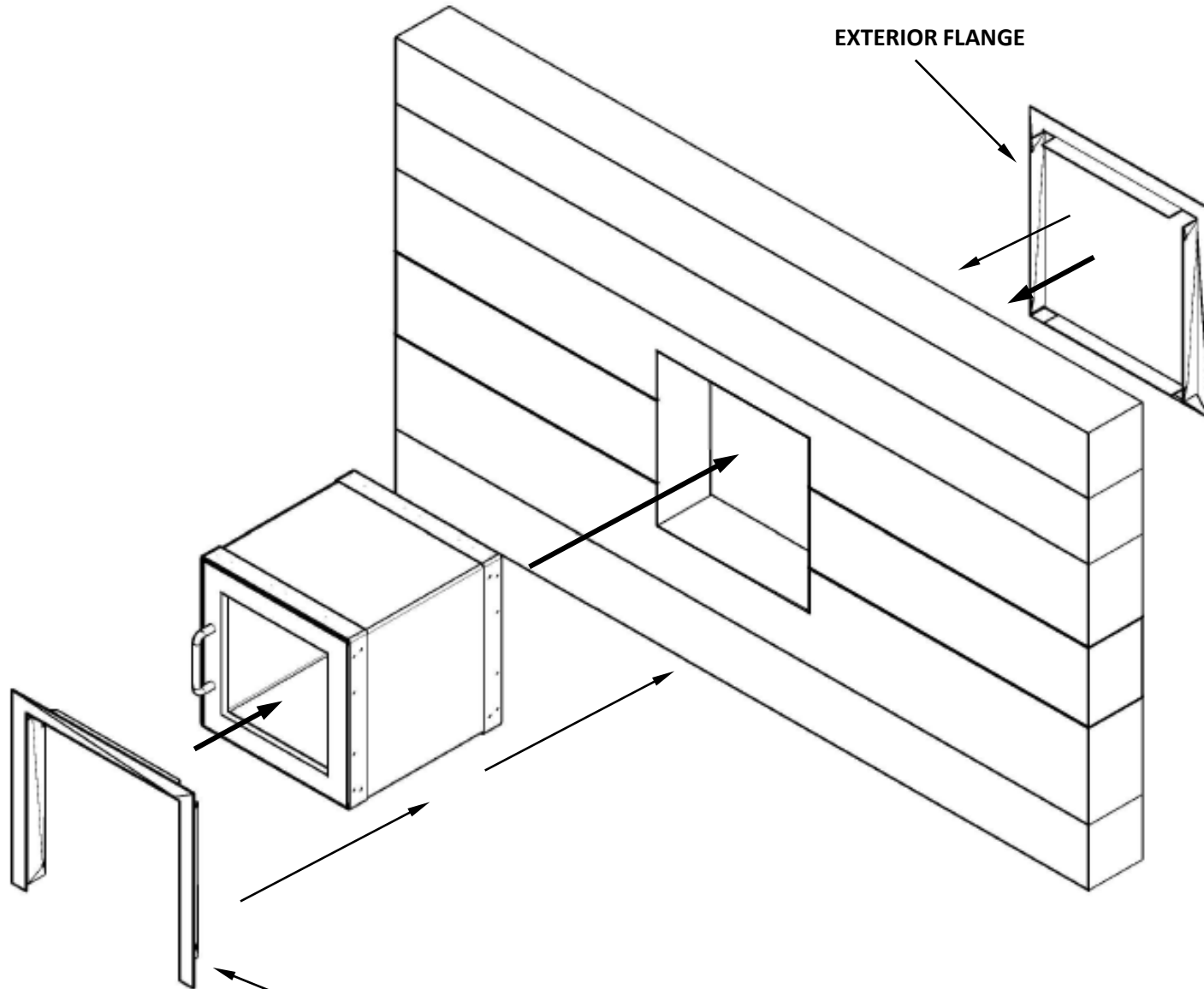
- 1) Slide Package Receiver from exterior side of wall or building.
- 2) Slide all the way in until flange is flush with the exterior side of building.
- 3) Slide three sided flange over the back of package receiver until flush with interior wall.
- 4) Mark for holes, drill, tap and screw apply rear flange securing the package receiver in place.

**NOTE:**  
5/32" drill bit and 10-32 Tap supplied by others. Screws should be 3/8" long.

 **COVENANT**  
Security Equipment  
9323 N Government Way  
Hayden, ID 83835

EXTERIOR FLANGE

INTERIOR FLANGE



TITLE: **PR-1515 GLASS DOOR PACKAGE RECEIVER**

DRAWING NAME: **CSE-QS-PR-1515 INSTALLATION**

DATE	DRAWN BY	SCALE	SHEET	SIZE
6/22/2016	RBV	NTS	1 of 1	A

NOTE: THIS DRAWING EMBODIES A CONFIDENTIAL PROPRIETY DESIGN ORIGINATED AND OWNED BY COVENANT SECURITY EQUIPMENT SUBMITTED UNDER A CONFIDENTIAL RELATIONS ALL PATENT, MANUFACTURING, SALE RIGHTS REGARDING THE SAME ARE RESERVED EXCEPT TO THE EXTENT RIGHTS ARE EXPRESSLY GRANTED TO OTHERS, THE RECIPIENT AGREES BY ACCEPTING HIP. THESE DRAWINGS NOT TO SUPPLY OR DISCLOSE ANY INFORMATION REGARDING THEM TO ANY UNAUTHORIZED PERSON.