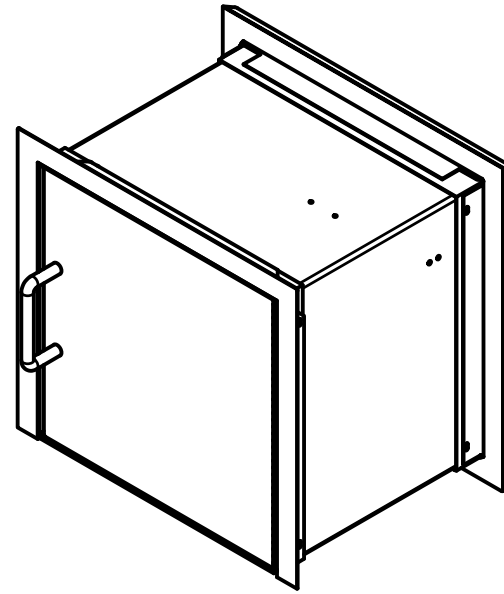
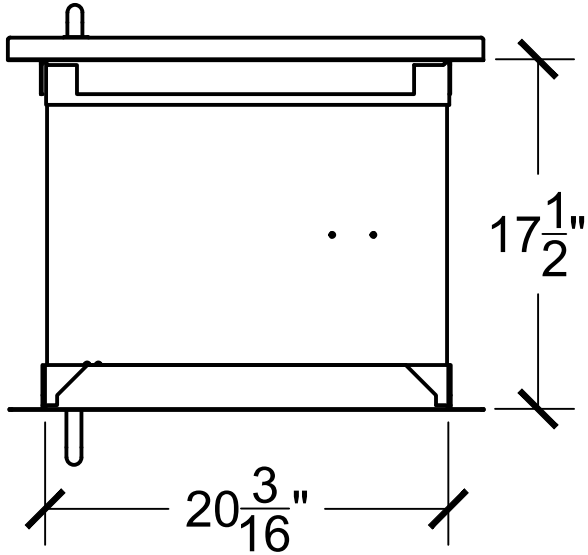


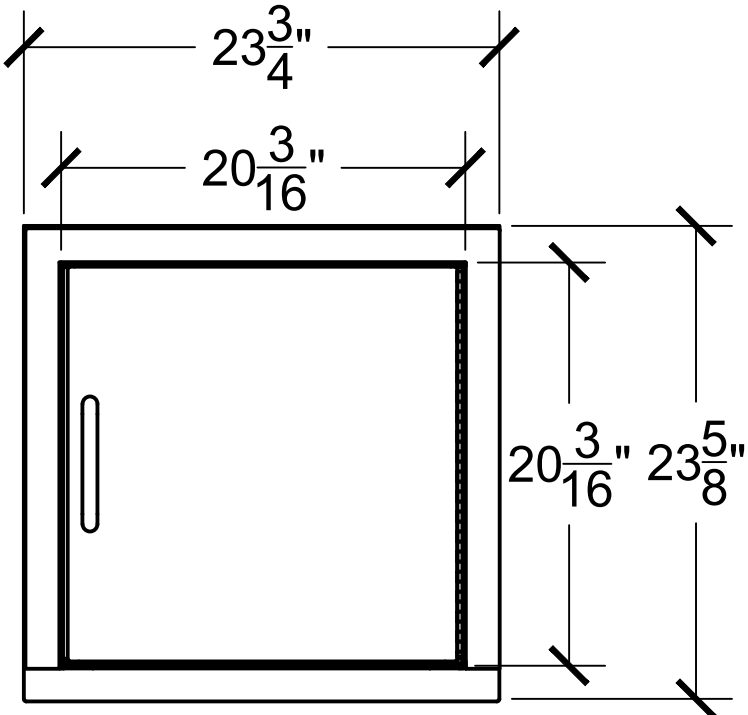
Top View



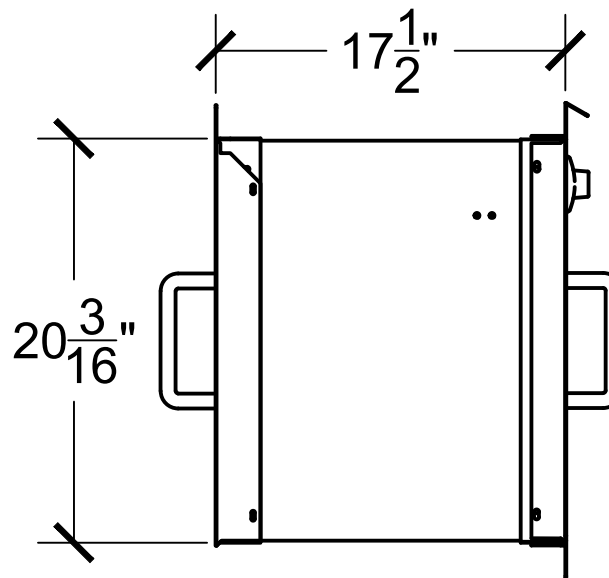
Key Notes

Unit:
PR-2020
Actual Dimension:
 $20\frac{3}{16}$ "(W) X $20\frac{3}{16}$ "(H) X $17\frac{1}{2}$ "(L)
Rough Opening:
 $20\frac{9}{16}$ "(W) X $20\frac{9}{16}$ "(H)

Interior Front View



Side View



Engineer Notes

Date drawn: 9/22/2020
Drawn by: Avasquez
File name: PR-2020 STEEL DOOR.dwg

Page: 1 of 1

Scale: 1:10

NOTE: THIS DRAWING EMBODIES A CONFIDENTIAL PROPRIETY DESIGN ORIGINATED AND OWNED BY COVENANT SECURITY, AND IS SUBMITTED UNDER A CONFIDENTIAL RELATIONS ALL PATENT, MANUFACTURING, SALE RIGHTS REGARDING THE SAME ARE RESERVED EXCEPT TO THE EXTENT RIGHTS ARE EXPRESSLY GRANTED TO OTHERS. THE RECIPIENT AGREES BY ACCEPTING THESE DRAWINGS NOT TO SUPPLY OR DISCLOSE ANY INFORMATION REGARDING THEM TO ANY UNAUTHORIZED PERSONAL.

SIGNATURE: _____

DATE: _____