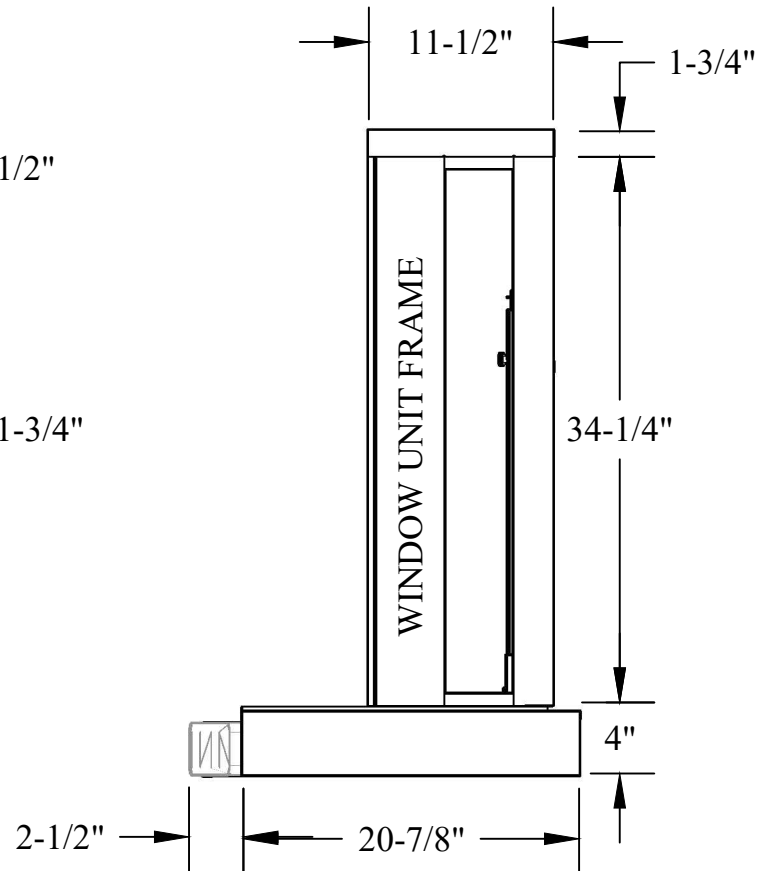
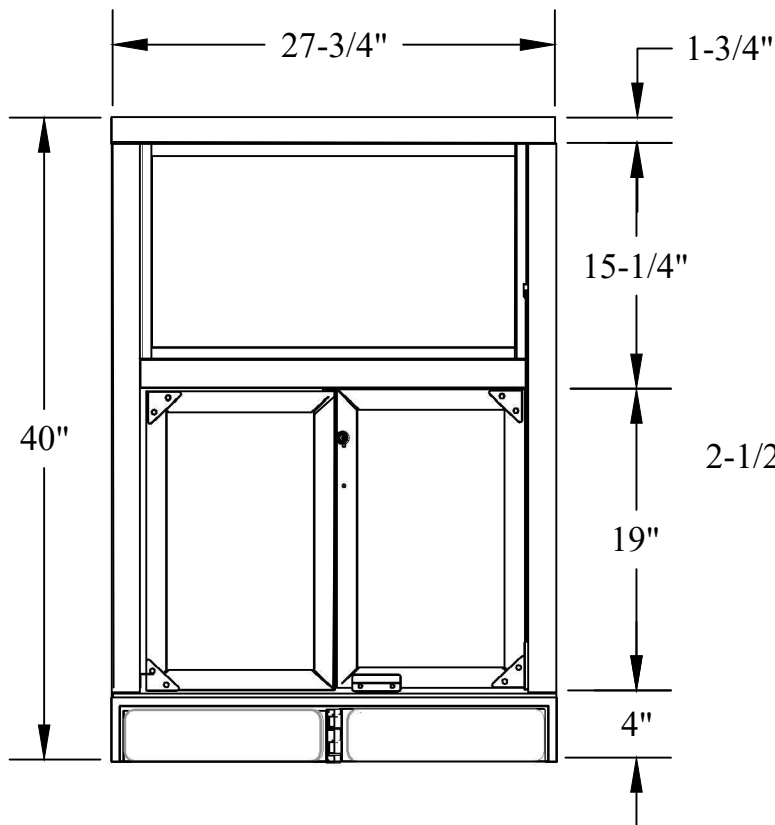
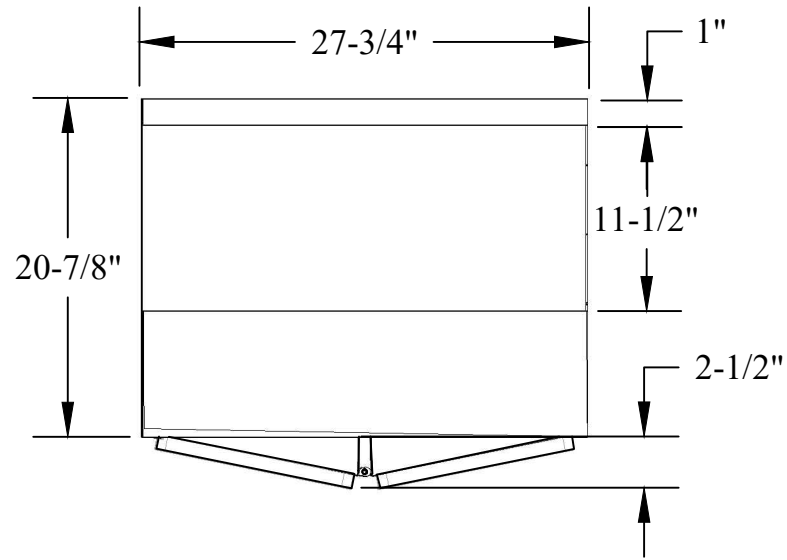


## General Notes

**Actual Dimension**  
27-3/4"(W) x 40"(H)

**Service Opening**  
20"(W) x 19"(H)

**Rough Opening**  
28-1/8"(W) x 40-3/8"(H)



**SE** COVENANT  
Security Equipment  
9323 N Government Way  
Hayden, ID 83835

TITLE: SEMI-AUTOMATIC WINDOW

DRAWING NAME: CSE-QS-PW1-16 THREE-SIDE VIEW

DATE  
3/16/2016

DRAWN BY  
RBV

SCALE  
1:12

SHEET  
1 of 4

SIZE  
A

NOTE: THIS DRAWING EMBODIES A CONFIDENTIAL PROPRIETY DESIGN ORIGINATED AND OWNED BY COVENANT SECURITY EQUIPMENT SUBMITTED UNDER A CONFIDENTIAL RELATIONS ALL PATENT, MANUFACTURING, SALE RIGHTS REGARDING THE SAME ARE RESERVED EXCEPT TO THE EXTENT RIGHTS ARE EXPRESSLY GRANTED TO OTHERS. THE RECIPIENT AGREES BY ACCEPTING HIP. THESE DRAWINGS NOT TO SUPPLY OR DISCLOSE ANY INFORMATION REGARDING THEM TO ANY UNAUTHORIZED PERSON.