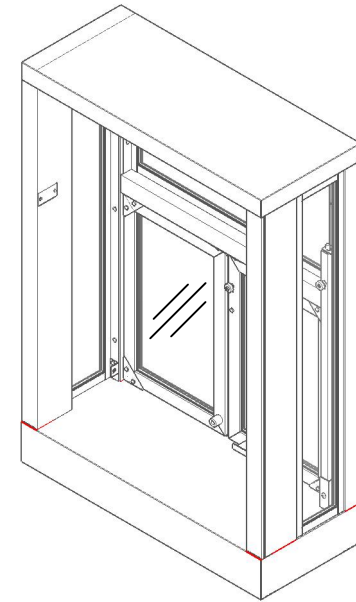
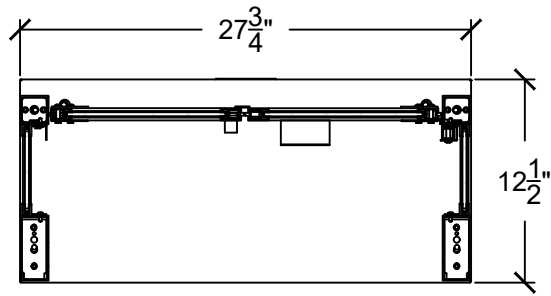
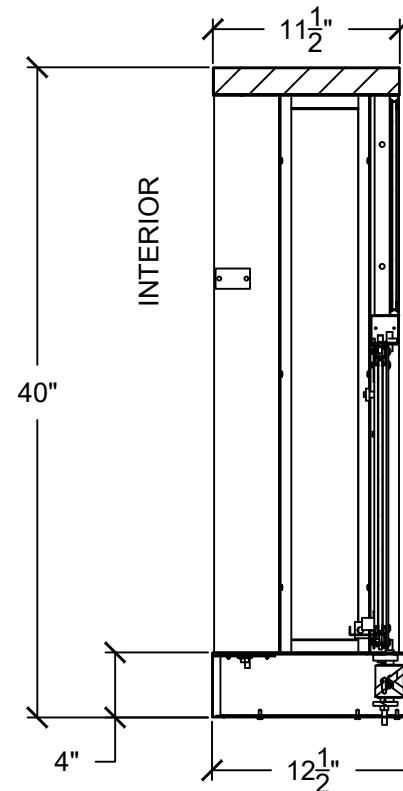
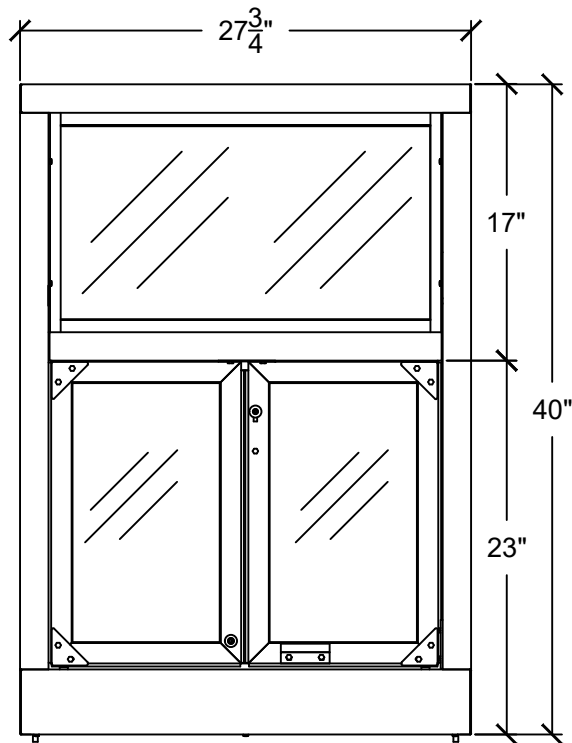


TOP VIEW



SIDE VIEW

INTERIOR FRONT VIEW



PLEASE SELECT:

1. FRAMING: ALUMINUM

2. FRAME COLOR:

Bronze Anodized Clear Anodized

Other: _____

3. GLAZING:

1/4" Tempered

Other: _____

Key Notes

Unit:
PW3-16 STANDARD

Actual Dimension:
27-3/4"(W) x 40"(H)

Rough Opening:
28-1/8"(W) x 40-3/8"(H)

Service Opening:
20"(W) x 18-3/8"(H)

Engineer Notes

Date drawn: 7/22/2021 4:33 PM

Drawn by: JPOLIDO

File name:
PW-3-16.dwg

Page: #####

Scale: 1":1'

NOTE: THIS DRAWING EMBODIES A CONFIDENTIAL PROPRIETARY DESIGN ORIGINATED AND OWNED BY COVENANT SECURITY EQUIPMENT, AND IS SUBMITTED UNDER A CONFIDENTIAL RELATIONS ALL PATENT, MANUFACTURING, SA LE RIGHTS REGARDING THE SAME ARE RESERVED EXCEPT TO THE EXTENT RIGHTS ARE EXPRESSLY GRANTED TO OTHERS. THE RECIPIENT AGREES BY ACCEPTING THESE DRAWINGS NOT TO SUPPLY OR DISCLOSE ANY INFORMATION REGARDING THEM TO ANY UNAUTHORIZED PERSONAL.

SIGNATURE: _____

DATE: _____