

**TYPICAL
PW5-16 INSTALLATION**

- 1) Quikserv windows must be installed level and square to work properly.
- 2) Install a 3 sided open back sub-frame 1-3/4" x 4". (Optional)
- 3) Anchor through each sub-frame at two places approx. 5" at top and bottom of each side jambs. (See Detail A)
- 4) If not using sub-frame, use caution when drilling thru each side jamb as all thread rods are located in each side jambs. (See Figure 1)
- 5) Recommended height from floor to service opening to be 36". (Check all local and city codes)
- 6) Silicone all exterior and interior joints.
- 7) All other type of anchoring to be approved by certified engineer.

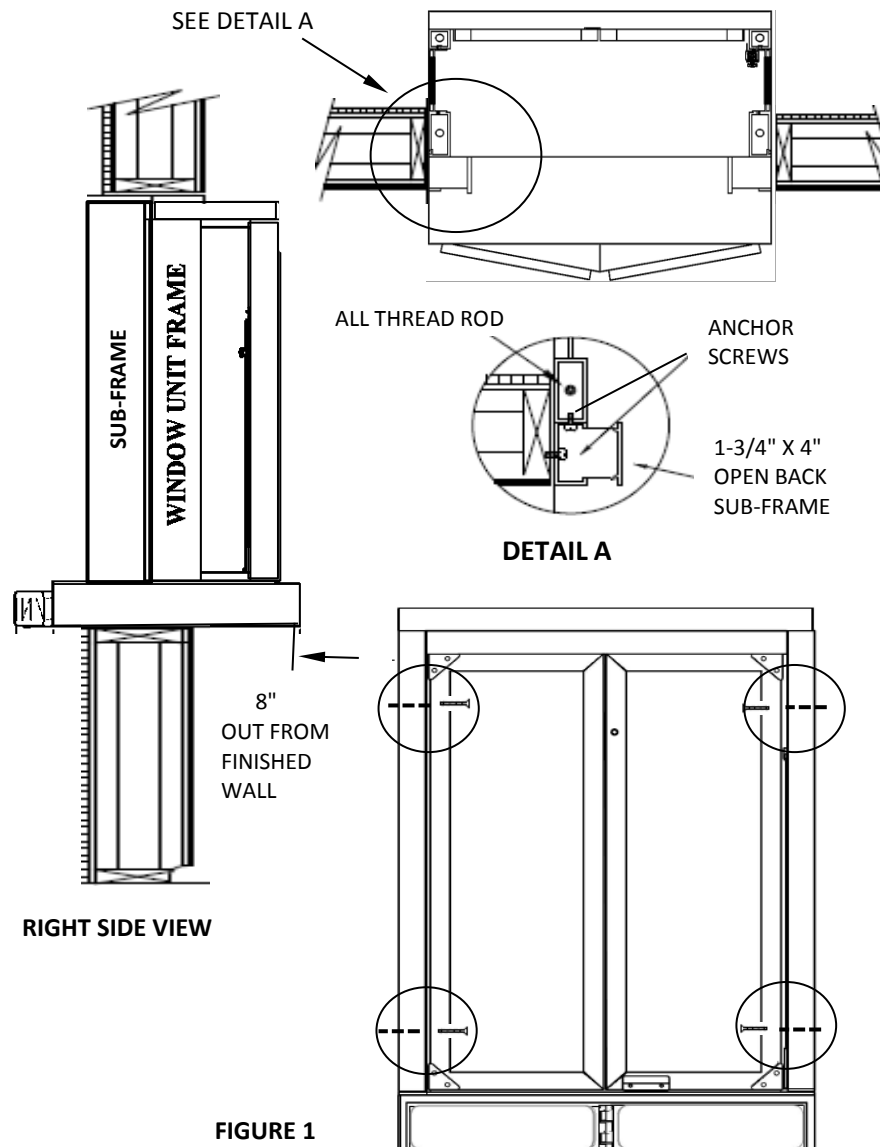


FIGURE 1

General Notes

Actual Dimension
27-3/4"(W) x 40"(H)

Service Opening
20"(W) x 32"(H)

Rough Opening
28-1/8"(W) x 40-3/8"(H)

NOTE 1:
Sash & glass must not be obscured by the exterior finished wall.

NOTE 2:
1-3/4 x 4 open back sub frame with snap in cover supplied by others. (See Detail A)

NOTE 3:
Anchor screws to be supplied by contractors (See Detail A)

COVENANT
Security Equipment
9323 N Government Way
Hayden, ID 83835

TITLE:				
INSTALLATION PROCEDURE				
DRAWING NAME:				
CSE-QS-PW5-16 INSTALLATION				
DATE	DRAWN BY	SCALE	SHEET	SIZE
3/31/2016	RBV	NTS	1 of 1	A

NOTE: THIS DRAWING EMBODIES A CONFIDENTIAL PROPRIETY DESIGN ORIGINATED AND OWNED BY COVENANT SECURITY EQUIPMENT SUBMITTED UNDER A CONFIDENTIAL RELATIONS ALL PATENT, MANUFACTURING, SALE RIGHTS REGARDING THE SAME ARE RESERVED EXCEPT TO THE EXTENT RIGHTS ARE EXPRESSLY GRANTED TO OTHERS. THE RECIPIENT AGREES BY ACCEPTING HIP. THESE DRAWINGS NOT TO SUPPLY OR DISCLOSE ANY INFORMATION REGARDING THEM TO ANY UNAUTHORIZED PERSON.