

General Notes

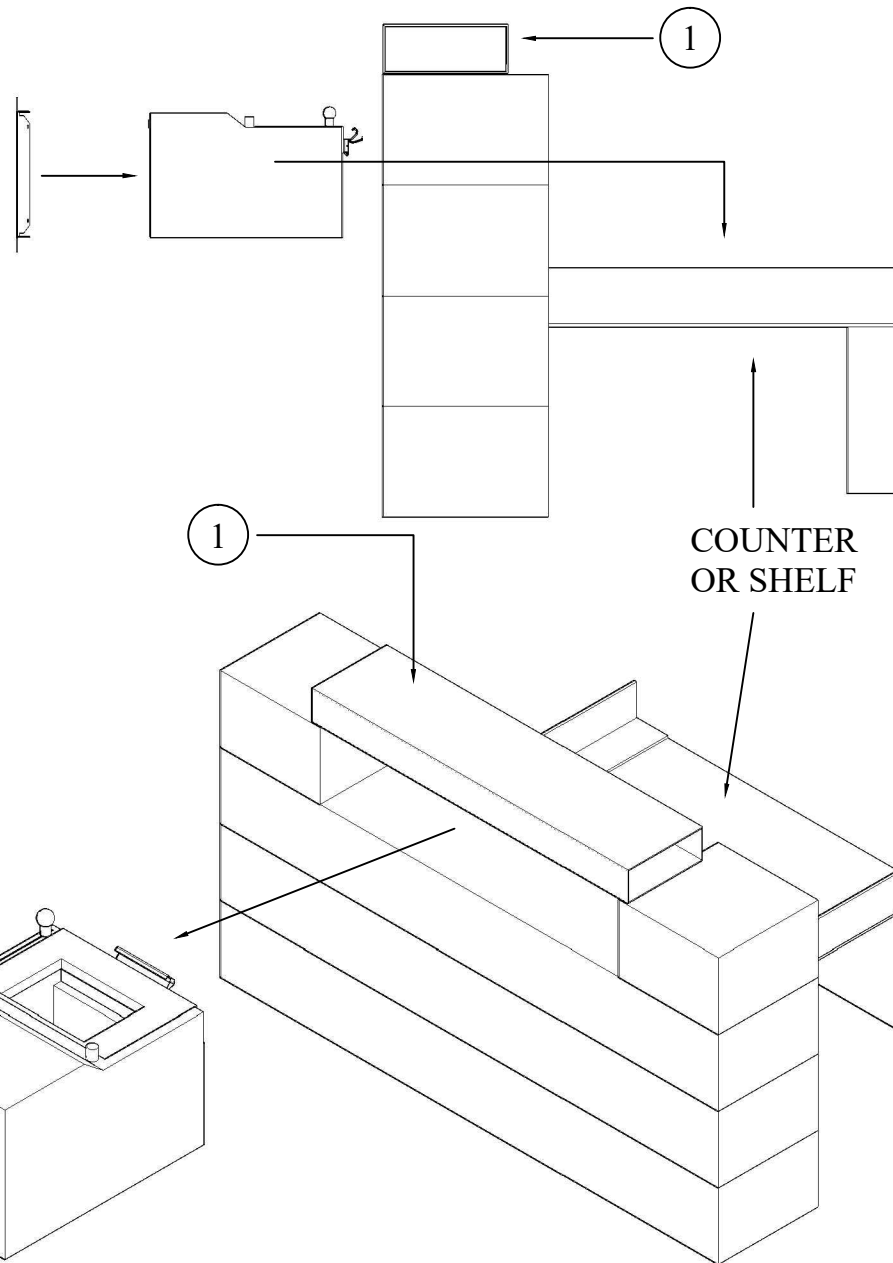
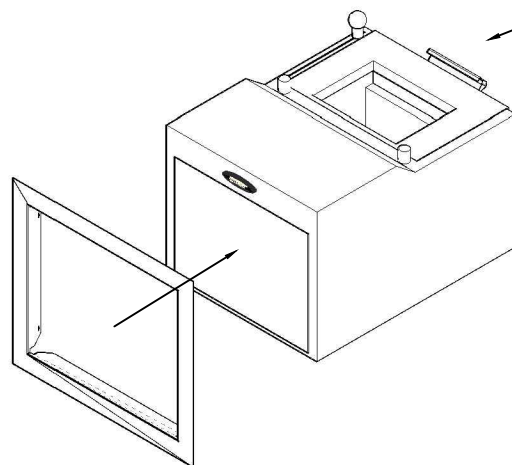
Actual Dimension:
24"(L) x 21-1/2"(W) x 15-1/2"(H)

Transfer Area:
13"(W) x 16"(H) x 21"(D)

Rough Opening:
18-3/8"(W) x 15-7/8"(H)

STEPS AND PROCEDURE:

- 1) SLIDE DRAWER THROUGH ROUGH OPENING FROM THE INTERIOR SIDE TO THE EXTERIOR.
- 2) ATTACH FLANGE TO OUTSIDE OF THE DRAWER USING THE 4 EACH SCREWS SUPPLIED TO THE PRE-TAPPED HOLES ON THE SIDE OF THE DRAWER.
- 3) SLIDE DRAWER FLUSH WITH EXTERIOR WALL.
- 4) ANCHOR BOTTOM OF DRAWER TO COUNTER TOP OR SHELF.
- 5) MAXIMUM MULLION WIDTH (DEPTH) ABOVE DRAWER TO BE NO MORE THAN 8" FOR MAXIMUM TRANSFER AREA (ITEM 1).
- 6) RIGHT SIDE OF THE BACK PANEL AS WELL AS THE BACK OF THE DRAWER MUST BE ACCESSIBLE FOR SERVICE.



CE COVENANT
Security Equipment
9323 N Government Way
Hayden, ID 83835

TITLE: TRANSACTION DRAWER				
DRAWING NAME: CSE-QS-QSB-12 INSTALLATION				
DATE	DRAWN BY	SCALE	SHEET	SIZE
07/20/2016	ESP	NTS	5 of 5	A

NOTE: THIS DRAWING EMBODIES A CONFIDENTIAL PROPRIETY DESIGN ORIGINATED AND OWNED BY COVENANT SECURITY EQUIPMENT SUBMITTED UNDER A CONFIDENTIAL RELATIONS ALL PATENT, MANUFACTURING, SALE RIGHTS REGARDING THE SAME ARE RESERVED EXCEPT TO THE EXTENT RIGHTS ARE EXPRESSLY GRANTED TO OTHERS, THE RECIPIENT AGREES BY ACCEPTING HIP. THESE DRAWINGS NOT TO SUPPLY OR DISCLOSE ANY INFORMATION REGARDING THEM TO ANY UNAUTHORIZED PERSON.