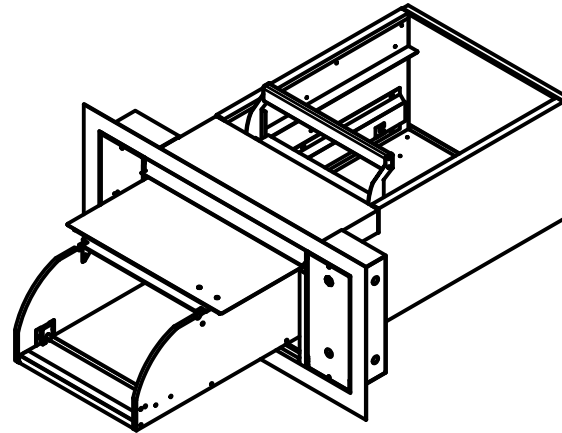
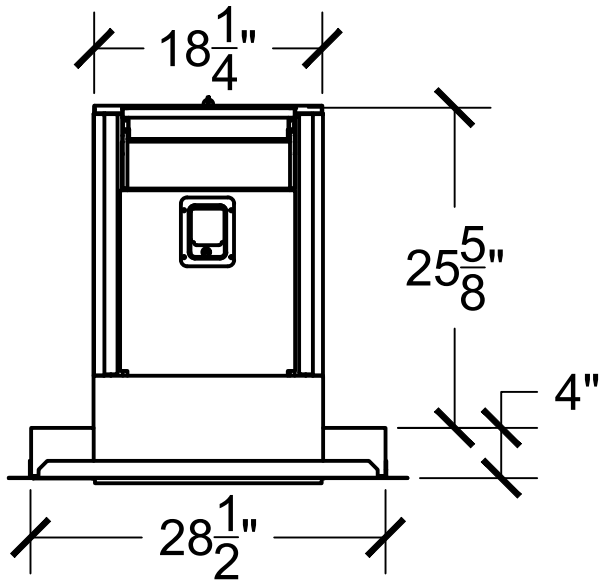


# Top View

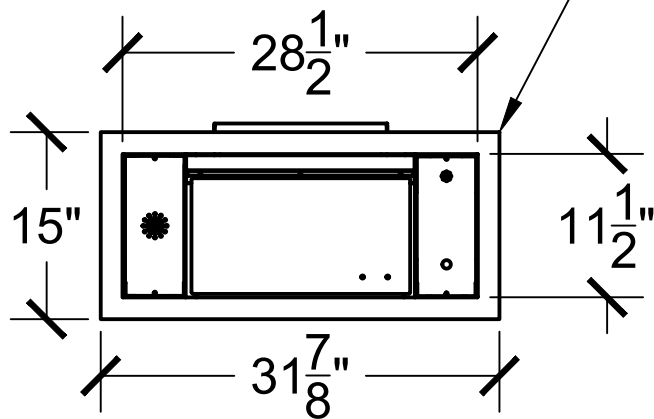


**COVENANT**  
Security Equipment

### Key Notes

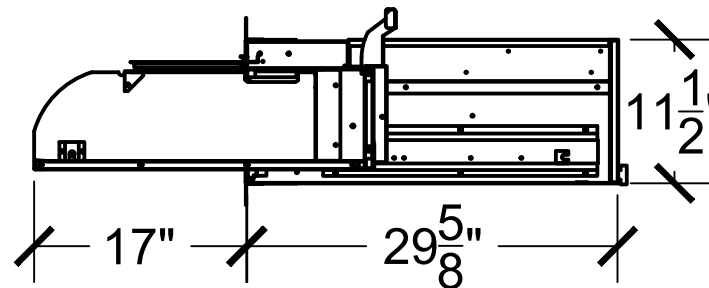
**Unit:**  
QSP-713S  
WITH FLANGE  
**Actual Dimension without flange:**  
28 $\frac{1}{2}$ "(W) x 11 $\frac{1}{2}$ "(H)

# Exterior Back View



FLANGE

# Side View



### Engineer Notes

Date drawn: 8/4/2020  
Drawn by: Avasquez  
File name: QSP-713M.dwg

Page: 1 of 1

Scale: 1:16

NOTE: THIS DRAWING EMBODIES A CONFIDENTIAL PROPRIETY DESIGN ORIGINATED AND OWNED BY QUIKSERV CORP., AND IS SUBMITTED UNDER A CONFIDENTIAL RELATIONS ALL PATENT, MANUFACTURING, SALE RIGHTS REGARDING THE SAME ARE RESERVED EXCEPT TO THE EXTENT RIGHTS ARE EXPRESSLY GRANTED TO OTHERS. THE RECIPIENT AGREES BY ACCEPTING THESE DRAWINGS NOT TO SUPPLY OR DISCLOSE ANY INFORMATION REGARDING THEM TO ANY UNAUTHORIZED PERSONAL.

SIGNATURE: \_\_\_\_\_

DATE: \_\_\_\_\_