

General Notes

Actual Dimension
23-3/4"(W) x 6-1/4"(H)

Transfer Area
14-5/8"(L) x 4-1/2"(H) x
12-3/4"(D)

Rough Opening
24-5/8"(W) x 6-5/8"(H)

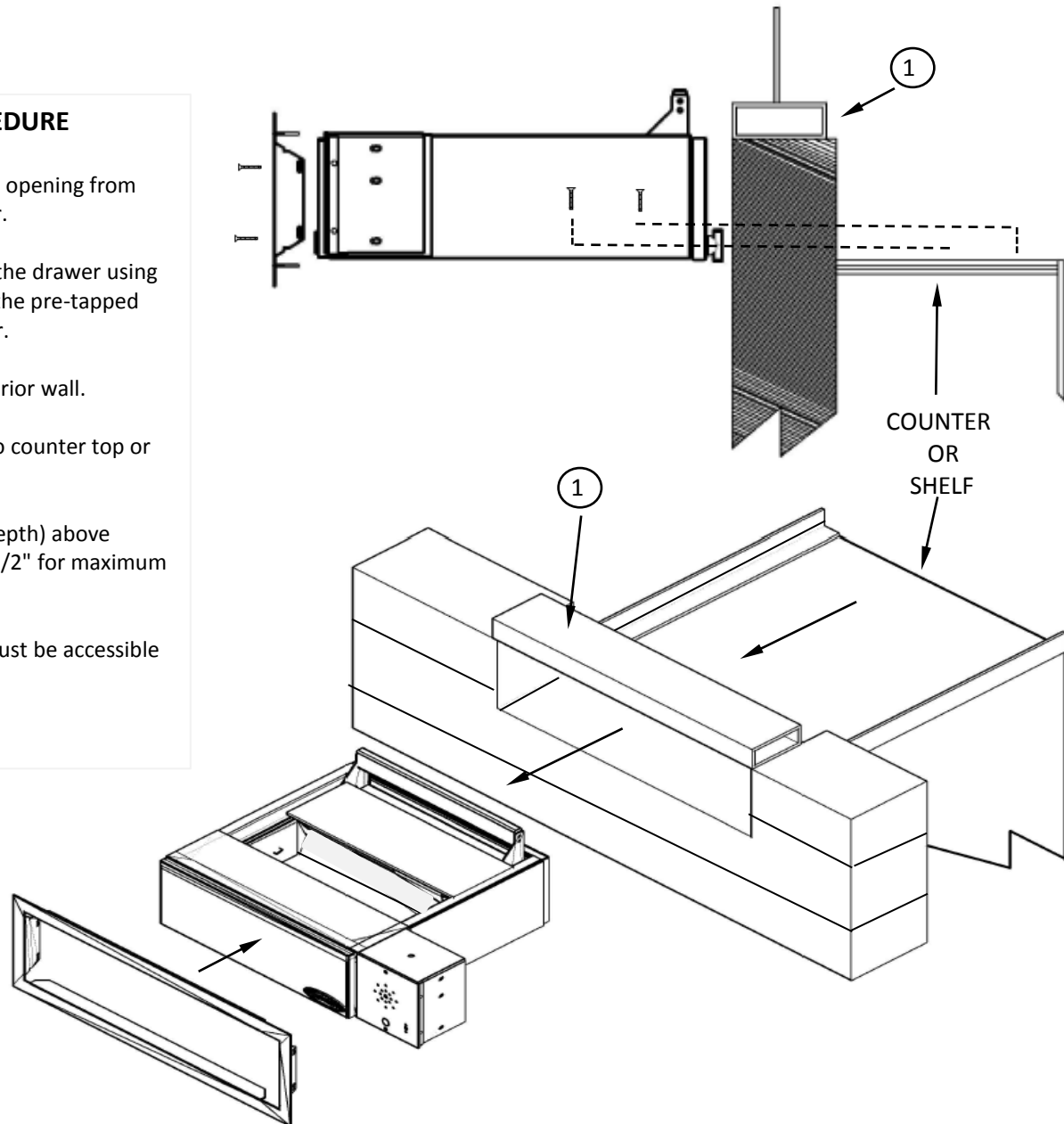
TYPICAL QST-625S INSTALLATION

1. Drawer must be installed level & square to work properly.
2. Anchor screws to be supplied by contractor.
3. Silicone all exterior and interior joints.
4. All other type of anchoring to be approved by certified engineer.

 **COVENANT**
Security Equipment
9323 N Government Way
Hayden, ID 83835

STEPS AND PROCEDURE

- 1) Slide Drawer through rough opening from the interior side to the exterior.
- 2) Attach flange to outside of the drawer using the 4 each screws supplied to the pre-tapped holes on the side of the drawer.
- 3) Slide drawer flush with exterior wall.
- 4) Anchor bottom of drawer to counter top or shelf.
- 5) Maximum mullion width (depth) above drawer to be no more than 4-1/2" for maximum transfer area (ITEM 1)
- 6) Back panel of the drawer must be accessible for service.



TITLE:

QST-625S TRANSACTION DRAWER

DRAWING NAME:

CSE-QS-QST-625S INSTALLATION

DATE

6/24/2016

DRAWN BY

RBV

SCALE

NTS

SHEET

1 of 1

SIZE

A

NOTE: THIS DRAWING EMBODIES A CONFIDENTIAL PROPRIETY DESIGN ORIGINATED AND OWNED BY COVENANT SECURITY EQUIPMENT SUBMITTED UNDER A CONFIDENTIAL RELATIONS ALL PATENT, MANUFACTURING, SALE RIGHTS REGARDING THE SAME ARE RESERVED EXCEPT TO THE EXTENT RIGHTS ARE EXPRESSLY GRANTED TO OTHERS. THE RECIPIENT AGREES BY ACCEPTING HIP. THESE DRAWINGS NOT TO SUPPLY OR DISCLOSE ANY INFORMATION REGARDING THEM TO ANY UNAUTHORIZED PERSON.