

General Notes

Actual Dimension

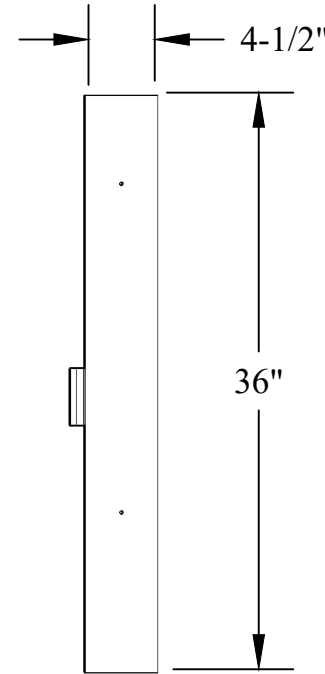
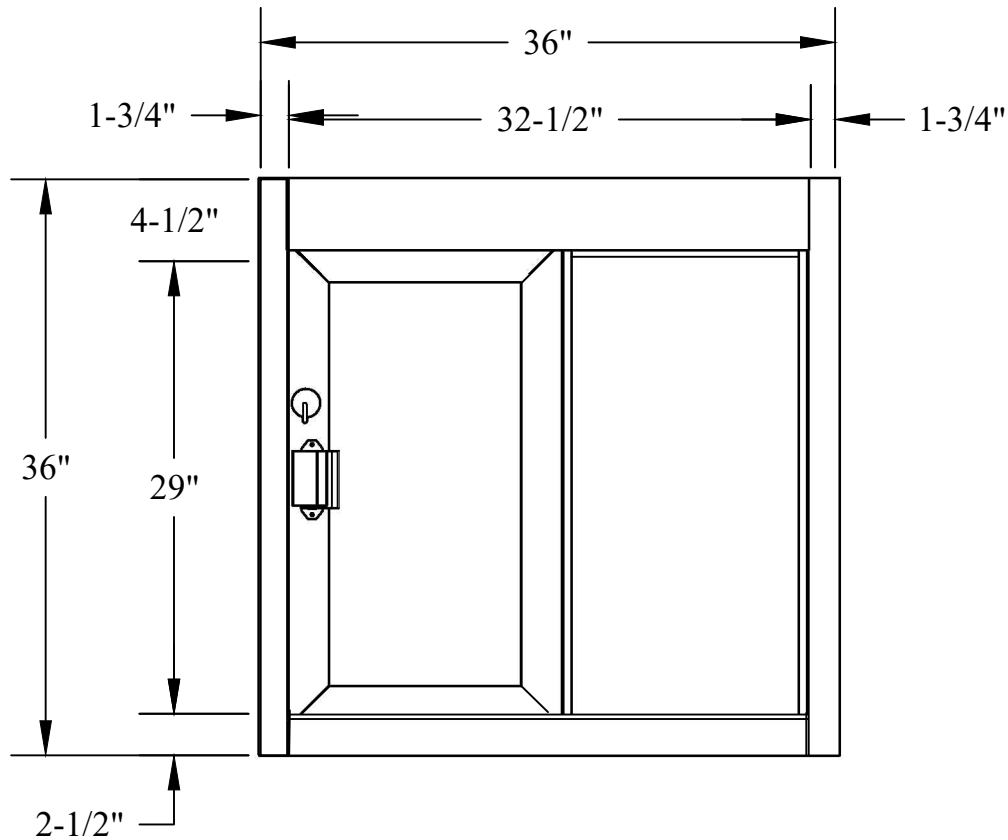
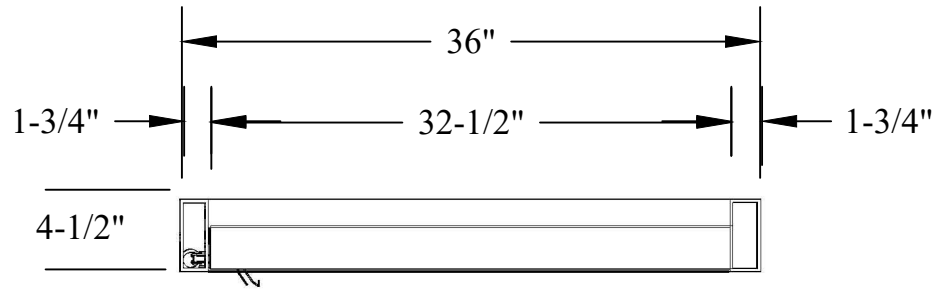
36"(W) x 36"(H)

Service Opening

14-1/4"(W) x 29"(H)

Rough Opening

36-3/8"(W) x 36-3/8"(H)



CE COVENANT
Security Equipment
9323 N Government Way
Hayden, ID 83835

TITLE: SELF CLOSING DRIVE THRU WINDOW				
DRAWING NAME: CSE-QS-SC-3030 THREE-SIDE VIEW				
DATE	DRAWN BY	SCALE	SHEET	SIZE
3/17/2016	RBV	1:12	1 of 4	A

NOTE: THIS DRAWING EMBODIES A CONFIDENTIAL PROPRIETY DESIGN ORIGINATED AND OWNED BY COVENANT SECURITY EQUIPMENT SUBMITTED UNDER A CONFIDENTIAL RELATIONS ALL PATENT, MANUFACTURING, SALE RIGHTS REGARDING THE SAME ARE RESERVED EXCEPT TO THE EXTENT RIGHTS ARE EXPRESSLY GRANTED TO OTHERS. THE RECIPIENT AGREES BY ACCEPTING HIP. THESE DRAWINGS NOT TO SUPPLY OR DISCLOSE ANY INFORMATION REGARDING THEM TO ANY UNAUTHORIZED PERSON.