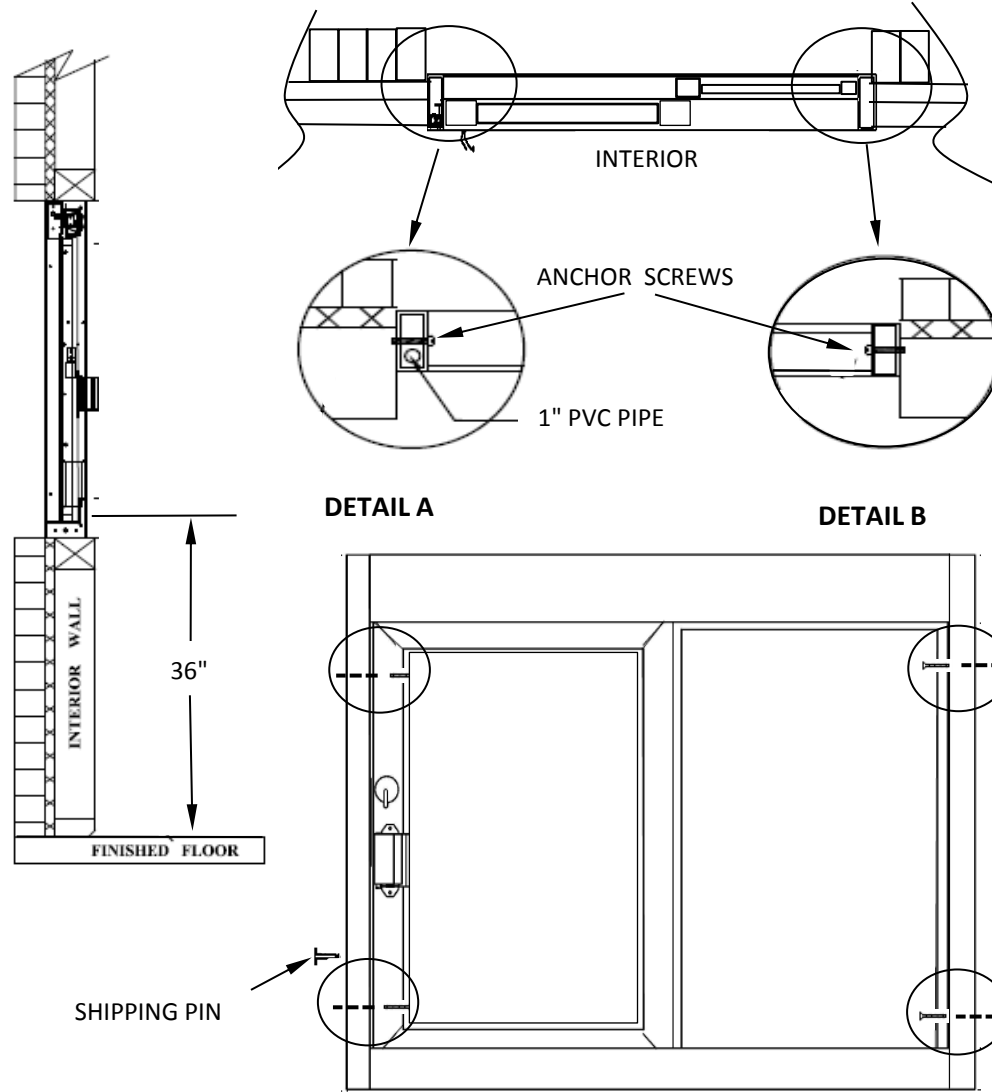


**TYPICAL  
SC-4030 INSTALLATION**

- 1) Windows must be installed level and square to work properly.
- 2) Anchor through each side jamb at two places top & bottom of each jamb using pre-drilled holes. (See Detail A & B)
- 3) Recommended height from floor to service opening to be 36". (Check any & all local or city codes)
- 4) Silicone all exterior and interior joint:
- 5) All other type of anchoring to be approved by certified engineer.



**FIGURE 1**

**General Notes**

**Actual Dimension**  
48"(W) x 36"(H)

**Service Opening**  
20-1/4"(W) x 29"(H)

**Rough Opening**  
48-3/8"(W) x 36-3/8"(H)

**NOTE 1:**  
Remove shipping pin before installing the window. The shipping pin is located in the side jamb. (See Figure 1)

**NOTE 2:**  
Anchor Screws to be supplied by contractor. (See Detail A & B)

**CAUTION:**  
Use caution when drilling thru the side jamb. A 1" pvc tube is located inside the lock jamb, depending on left handed or right. Drilling into the 1" pvc tube will void warranty.

**CE COVENANT**  
Security Equipment  
9323 N Government Way  
Hayden, ID 83835

NOTE: THIS DRAWING EMBODIES A CONFIDENTIAL PROPRIETY DESIGN ORIGINATED AND OWNED BY COVENANT SECURITY EQUIPMENT SUBMITTED UNDER A CONFIDENTIAL RELATIONS ALL PATENT, MANUFACTURING, SALE RIGHTS REGARDING THE SAME ARE RESERVED EXCEPT TO THE EXTENT RIGHTS ARE EXPRESSLY GRANTED TO OTHERS. THE RECIPIENT AGREES BY ACCEPTING HIP. THESE DRAWINGS NOT TO SUPPLY OR DISCLOSE ANY INFORMATION REGARDING THEM TO ANY UNAUTHORIZED PERSON.

TITLE: <b>INSTALLATION PROCEDURE</b>				
DRAWING NAME: <b>CSE-QS-SC-4030-IP INSTALLATION</b>				
DATE	DRAWN BY	SCALE	SHEET	SIZE
4/5/2016	RBV	NTS	1 of 1	<b>A</b>