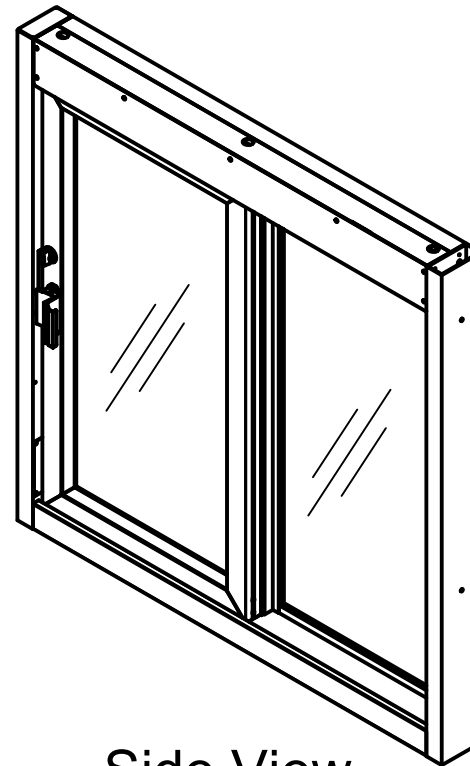
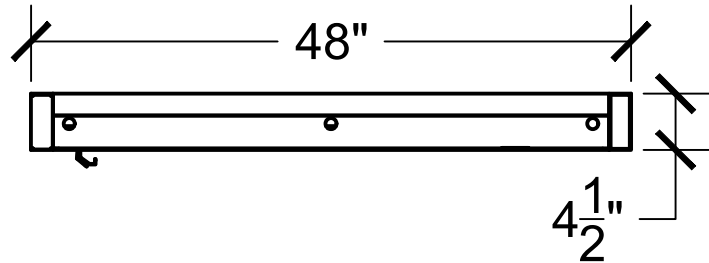
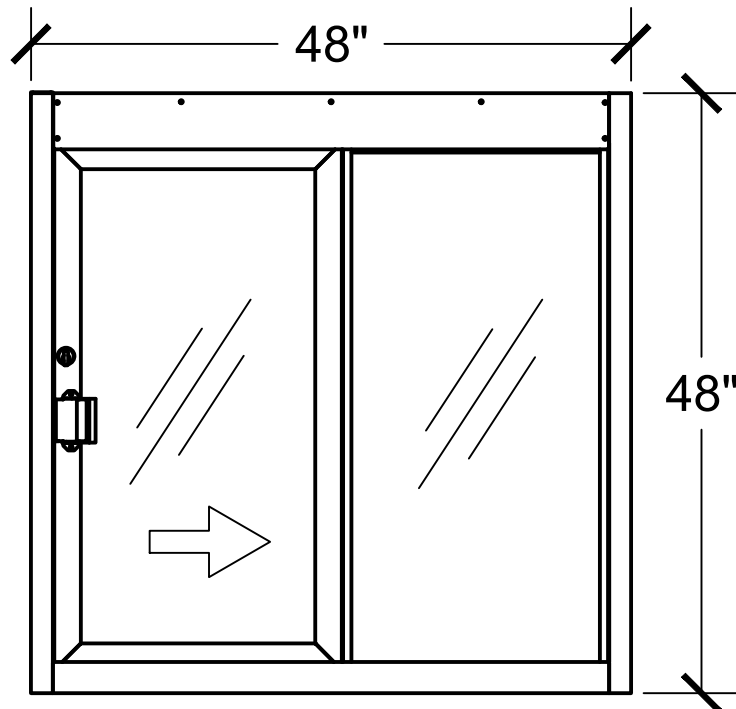




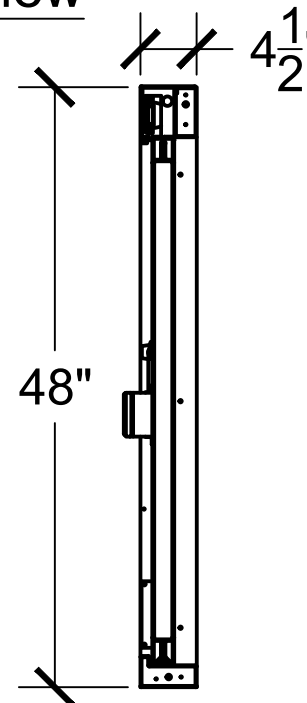
Top View



Interior Front View



Side View



**PLEASE SELECT:**

**1. FRAMING:**

- Aluminum
- UL Rated Alum

**2. FRAME COLOR:**

- Bronze Anodized
- Clear Anodized

Other: \_\_\_\_\_

**3. GLAZING:**

- 1/4" Tempered
- 5/8" or 1" Insulated

- 3/4" Poly - L1
- 1-1/4" Acrylic - L1

- 1-1/4" Poly - L3
- 1-1/4" Acrylic - L3

- Storm Impact Low-E

Other: \_\_\_\_\_

**Key Notes**

**Unit:**

SC-4040 (LEFT)

**Actual Dimension:**

48"(W) x 48(H)

**Rough Opening:**

48<sup>3</sup>/<sub>8</sub>"(W) x 48<sup>3</sup>/<sub>8</sub>"(H)

**Service Opening:**

20<sup>1</sup>/<sub>4</sub>"(W) x 41"(H)

**Engineer Notes**

Date drawn:11/12/19

Drawn by:A.V.

File name:IFSC-4040 COV

Page:

Scale:1:16

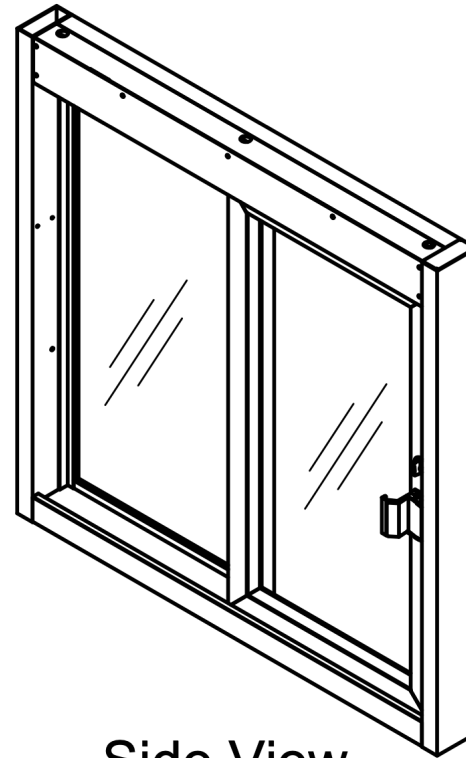
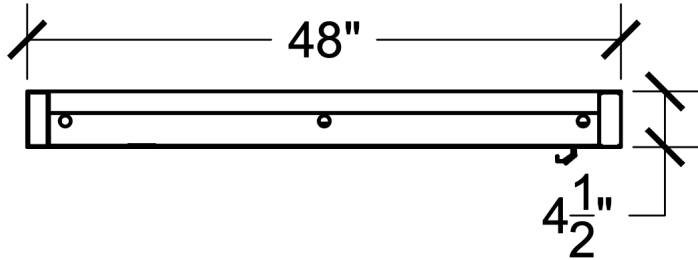
NOTE: THIS DRAWING EMBODIES A CONFIDENTIAL PROPRIETY DESIGN ORIGINATED AND OWNED BY COVENANT SECURITY EQUIPMENT SUBMITTED UNDER A CONFIDENTIAL RELATIONS ALL PATENT, MANUFACTURING, SALE RIGHTS REGARDING THE SAME ARE RESERVED EXCEPT TO THE EXTENT RIGHTS ARE EXPRESSLY GRANTED TO OTHERS. THE RECIPIENT AGREES BY ACCEPTING HIP. THESE DRAWINGS NOT TO SUPPLY OR DISCLOSE ANY INFORMATION REGARDING THEM TO ANY UNAUTHORIZED PERSON.

SIGNATURE: \_\_\_\_\_

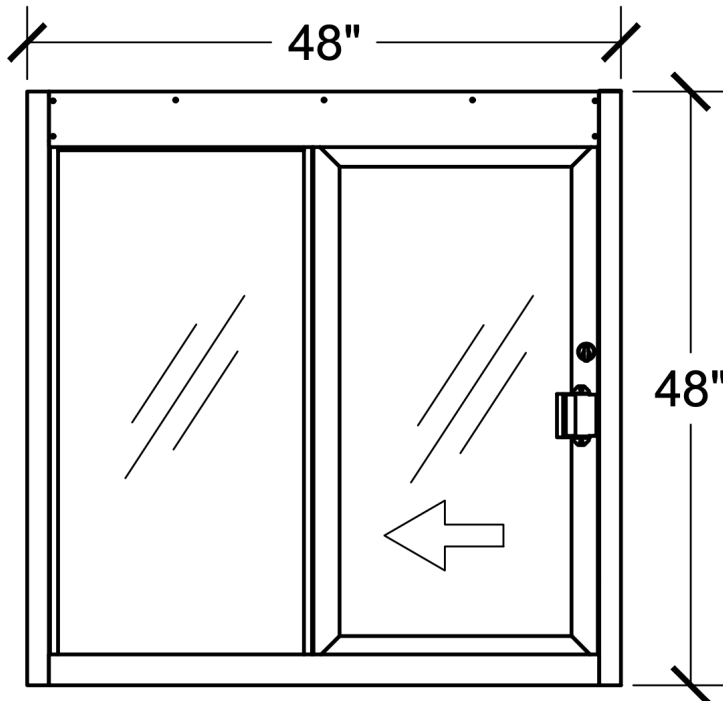
DATE: \_\_\_\_\_



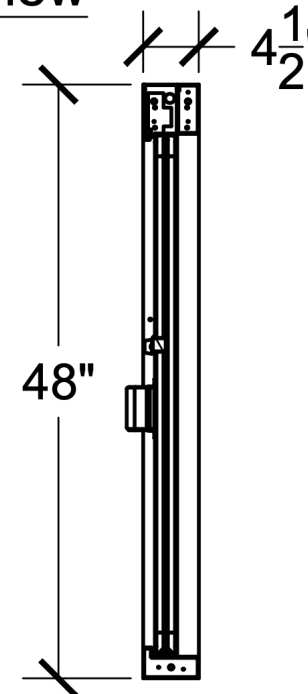
Top View



Interior Front View



Side View



**PLEASE SELECT:**

**1. FRAMING:**

- Aluminum  UL Rated Alum

**2. FRAME COLOR:**

- Bronze Anodized  Clear Anodized

Other: \_\_\_\_\_

**3. GLAZING:**

- 1/4" Tempered  5/8" or 1" Insulated

- 3/4" Poly - L1  1-1/4" Acrylic - L1

- 1-1/4" Poly - L3  1-1/4" Acrylic - L3

- Storm Impact Low-E

Other: \_\_\_\_\_

**Key Notes**

**Unit:**

SC-4040 (RIGHT)

**Actual Dimension:**

48"(W) x 48"(H)

**Rough Opening:**

48<sup>3</sup>/<sub>8</sub>"(W) x 48<sup>3</sup>/<sub>8</sub>"(H)

**Service Opening:**

20<sup>1</sup>/<sub>4</sub>"(W) x 41"(H)

**Engineer Notes**

Date drawn: 11/12/19

Drawn by: A.V.

File name: IFSC-4040 COV

Page: \_\_\_\_\_

Scale: 1:16

NOTE: THIS DRAWING EMBODIES A CONFIDENTIAL PROPRIETY DESIGN ORIGINATED AND OWNED BY COVENANT SECURITY EQUIPMENT SUBMITTED UNDER A CONFIDENTIAL RELATIONS ALL PATENT, MANUFACTURING, SALE RIGHTS REGARDING THE SAME ARE RESERVED EXCEPT TO THE EXTENT RIGHTS ARE EXPRESSLY GRANTED TO OTHERS. THE RECIPIENT AGREES BY ACCEPTING HIP. THESE DRAWINGS NOT TO SUPPLY OR DISCLOSE ANY INFORMATION REGARDING THEM TO ANY UNAUTHORIZED PERSON.

SIGNATURE: \_\_\_\_\_

DATE: \_\_\_\_\_