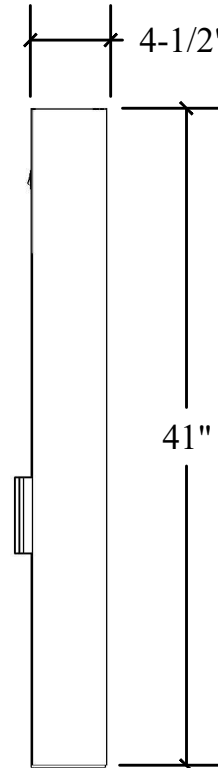
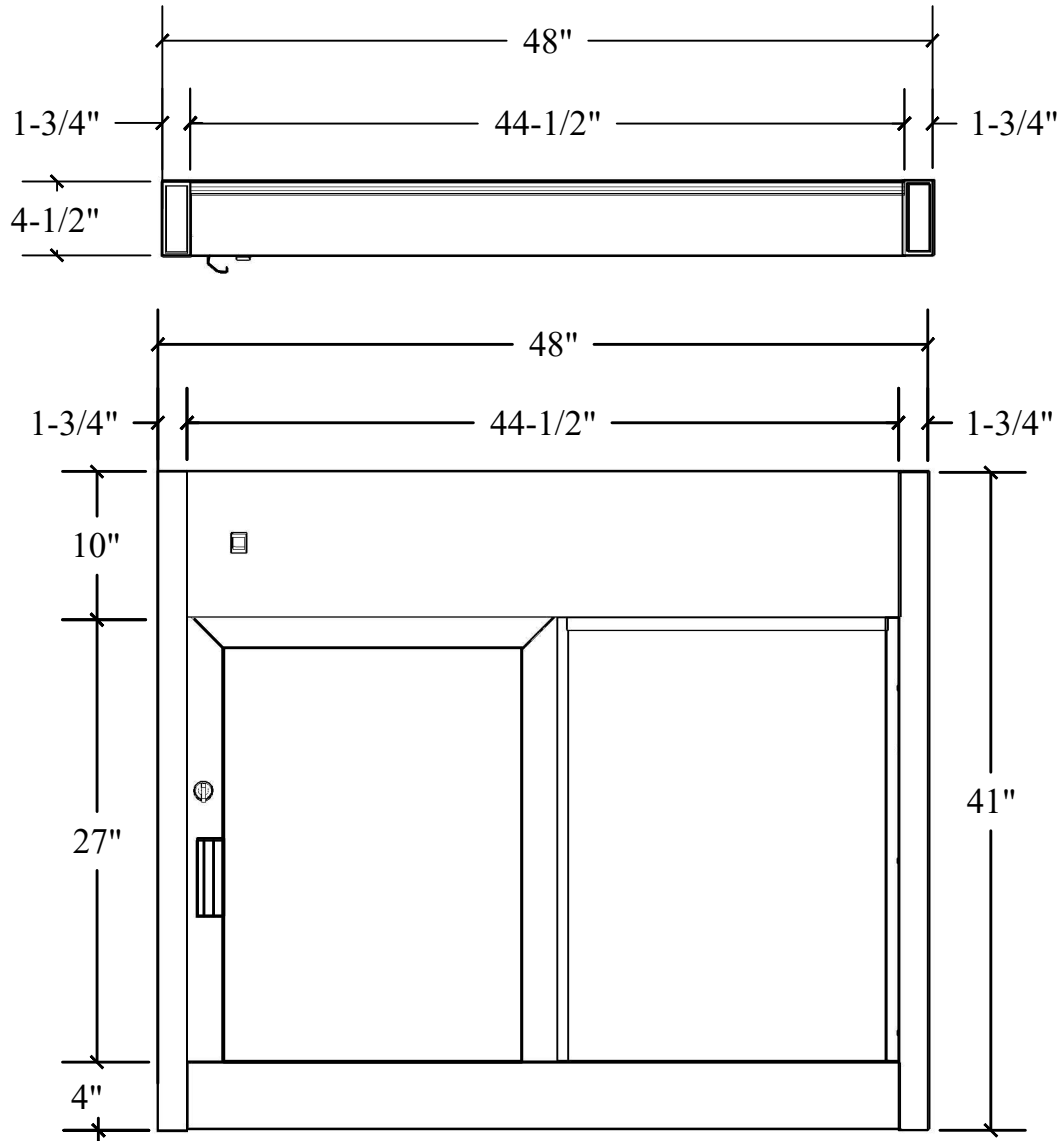


General Notes

Actual Dimension
48"(W) x 41"(H)

Service Opening
20"(W) x 27"(H)

Rough Opening
48-3/8"(W) x 41-3/8"(H)



SE COVENANT
Security Equipment
9323 N Government Way
Hayden, ID 83835

TITLE: **FULLY AUTOMATIC WINDOW**

DRAWING NAME: **CSE-QS-SS-04035E-IP THREE-SIDE VIEW**

DATE 07/12/2016	DRAWN BY RBV	SCALE 1:12	SHEET 1 of 4	SIZE A
--------------------	-----------------	---------------	-----------------	------------------

NOTE: THIS DRAWING EMBODIES A CONFIDENTIAL PROPRIETY DESIGN ORIGINATED AND OWNED BY COVENANT SECURITY EQUIPMENT SUBMITTED UNDER A CONFIDENTIAL RELATIONS ALL PATENT, MANUFACTURING, SALE RIGHTS REGARDING THE SAME ARE RESERVED EXCEPT TO THE EXTENT RIGHTS ARE EXPRESSLY GRANTED TO OTHERS. THE RECIPIENT AGREES BY ACCEPTING HIP. THESE DRAWINGS NOT TO SUPPLY OR DISCLOSE ANY INFORMATION REGARDING THEM TO ANY UNAUTHORIZED PERSON.