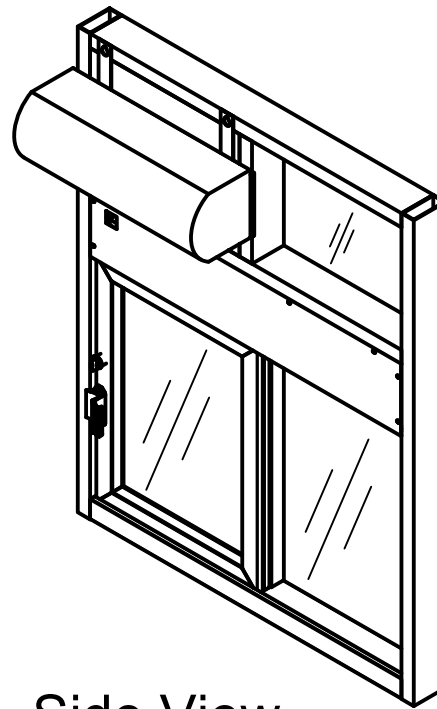
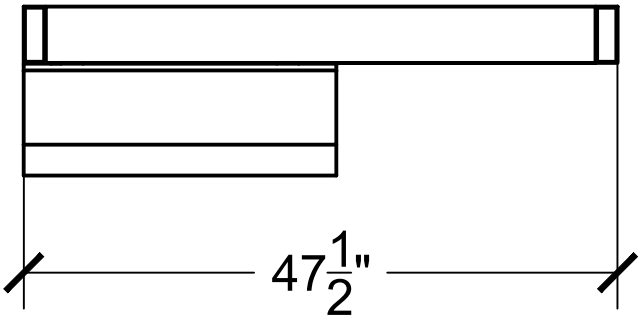
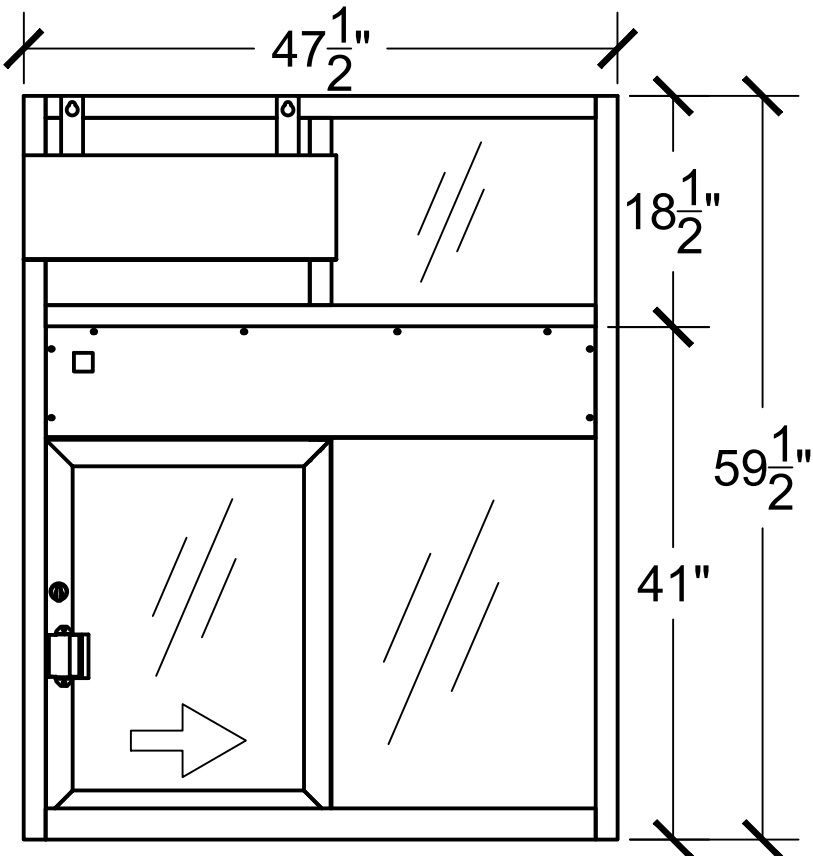


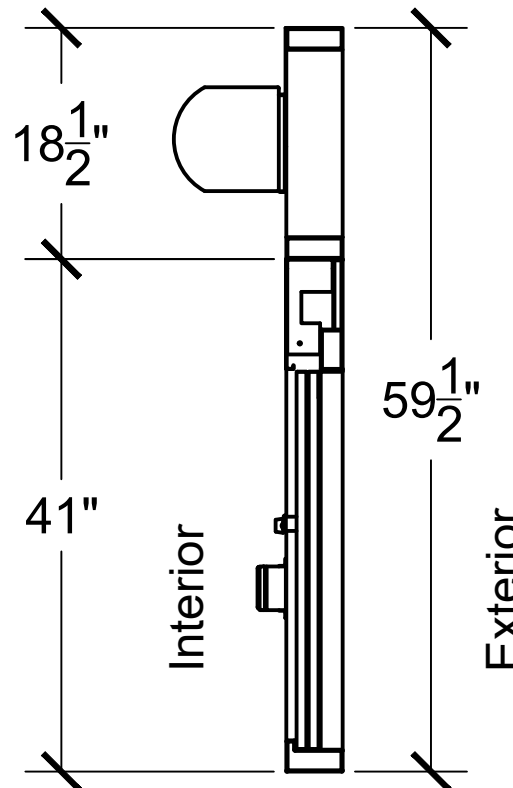
Top View



Interior Front View



Side View



COVENANT
Security Equipment

PLEASE SELECT:

1. FRAMING:

- Aluminum UL Rated Alum

2. FRAME COLOR:

- Bronze Anodized Clear Anodized

Other: _____

3. GLAZING:

- 1/4" Tempered 1" Insulated
 3/4" Poly - L1 1-1/4" Acrylic - L1
 1-1/4" Poly - L3 1-1/4" Acrylic - L3

- Storm Impact Low-E

Other: _____

4. AIR CURTAIN:

- Non-Heated
 Heated

Key Notes

Unit:

SST-4860E LEFT

Actual Dimension:

47 1/2" (W) X 59 1/2" (H)

Rough Opening:

48 7/8" (W) X 59 7/8" (H)

Service Opening:

20 1/4" (W) X 29 1/2" (H)

BERNER AIR CURTAIN

Engineer Notes

Date drawn: 8/31/2020

Drawn by: Avasquez

File name: SS-4860E B-AC.dwg

Page: 1 of 1

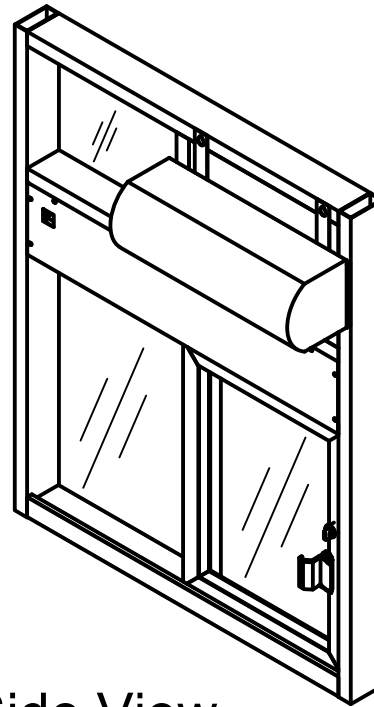
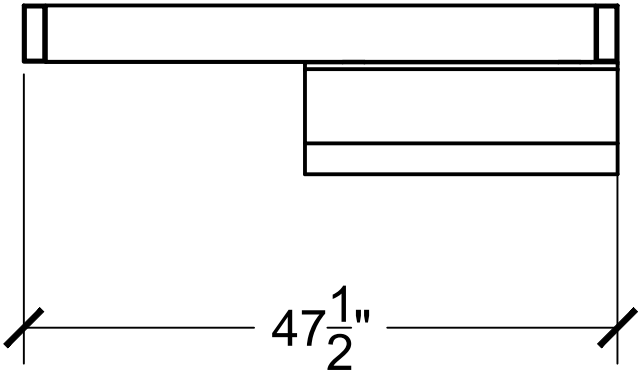
Scale: 1:16

NOTE: THIS DRAWING EMBODIES A CONFIDENTIAL PROPRIETY DESIGN ORIGINATED AND OWNED BY COVENANT SECURITY EQUIPMENT, AND IS SUBMITTED UNDER A CONFIDENTIAL RELATIONS ALL PATENT, MANUFACTURING, SALE RIGHTS REGARDING THE SAME ARE RESERVED EXCEPT TO THE EXTENT RIGHTS ARE EXPRESSLY GRANTED TO OTHERS. THE RECIPIENT AGREES BY ACCEPTING THESE DRAWINGS NOT TO SUPPLY OR DISCLOSE ANY INFORMATION REGARDING THEM TO ANY UNAUTHORIZED PERSONAL.

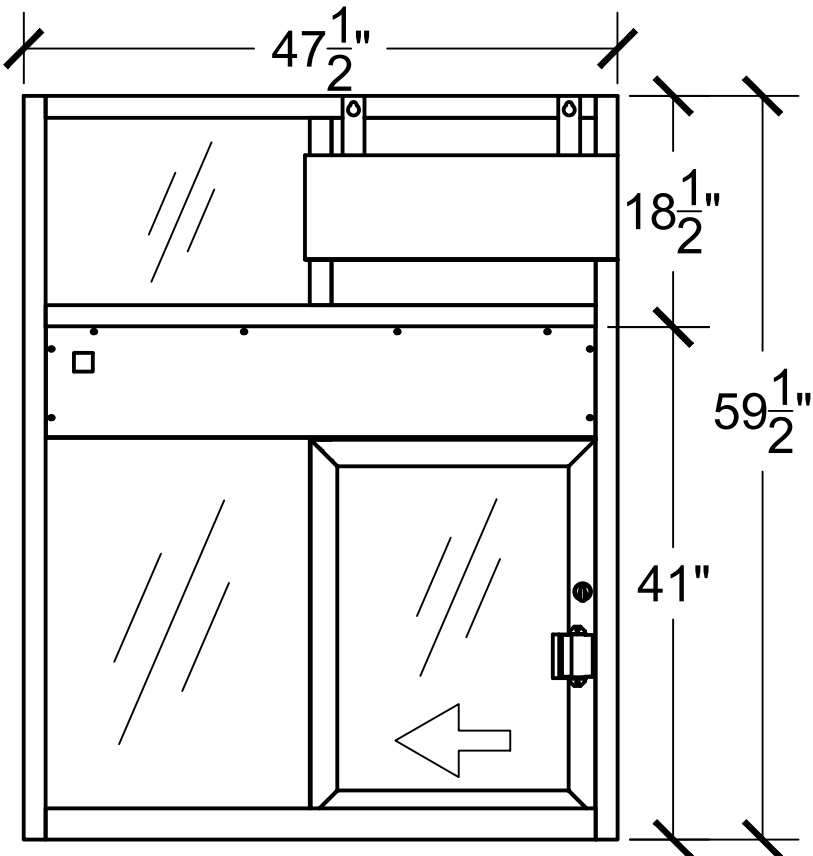
SIGNATURE: _____

DATE: _____

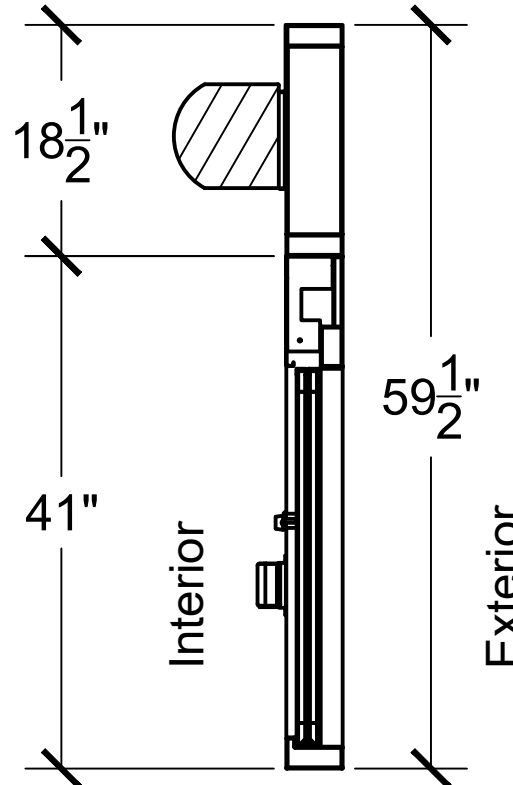
Top View



Interior Front View



Side View



COVENANT
Security Equipment

PLEASE SELECT:

1. FRAMING:

- Aluminum UL Rated Alum

2. FRAME COLOR:

- Bronze Anodized Clear Anodized

Other: _____

3. GLAZING:

- 1/4" Tempered 1" Insulated

- 3/4" Poly - L1 1-1/4" Acrylic - L1

- 1-1/4" Poly - L3 1-1/4" Acrylic - L3

- Storm Impact Low-E

Other: _____

4. AIR CURTAIN:

- Non-Heated

- Heated

Key Notes

Unit:

SST-4860E RIGHT

Actual Dimension:

47 1/2"(W) X 59 1/2"(H)

Rough Opening:

48 7/8"(W) X 59 7/8"(H)

Service Opening:

20 1/4"(W) X 29 1/2"(H)

BERNER AIR CURTAIN

Engineer Notes

Date drawn: 8/31/2020

Drawn by: Avasquez

File name: SS-4860E B-AC.dwg

Page: 1 of 1

Scale: 1:16

NOTE: THIS DRAWING EMBODIES A CONFIDENTIAL PROPRIETY DESIGN ORIGINATED AND OWNED BY COVENANT SECURITY EQUIPMENT, AND IS SUBMITTED UNDER A CONFIDENTIAL RELATIONS ALL PATENT, MANUFACTURING, SALE RIGHTS REGARDING THE SAME ARE RESERVED EXCEPT TO THE EXTENT RIGHTS ARE EXPRESSLY GRANTED TO OTHERS. THE RECIPIENT AGREES BY ACCEPTING THESE DRAWINGS NOT TO SUPPLY OR DISCLOSE ANY INFORMATION REGARDING THEM TO ANY UNAUTHORIZED PERSONAL.

SIGNATURE: _____

DATE: _____