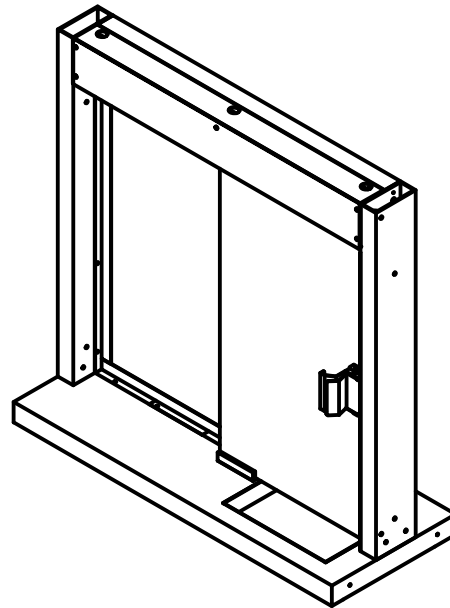
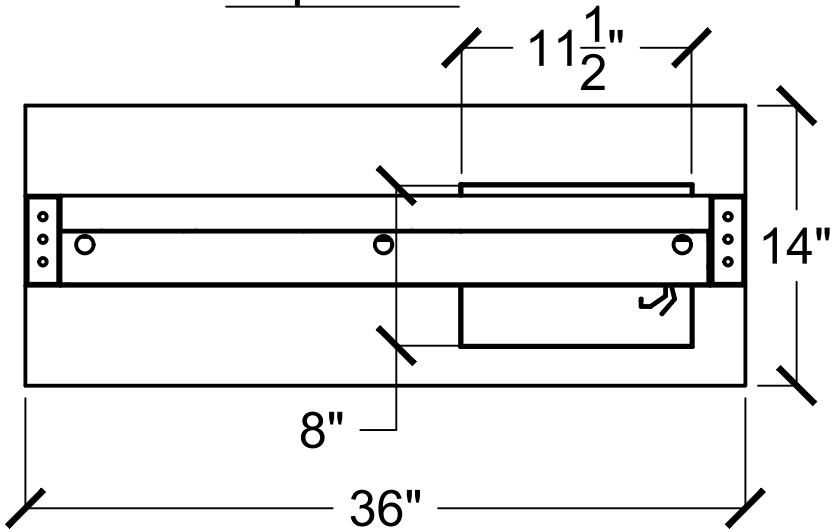
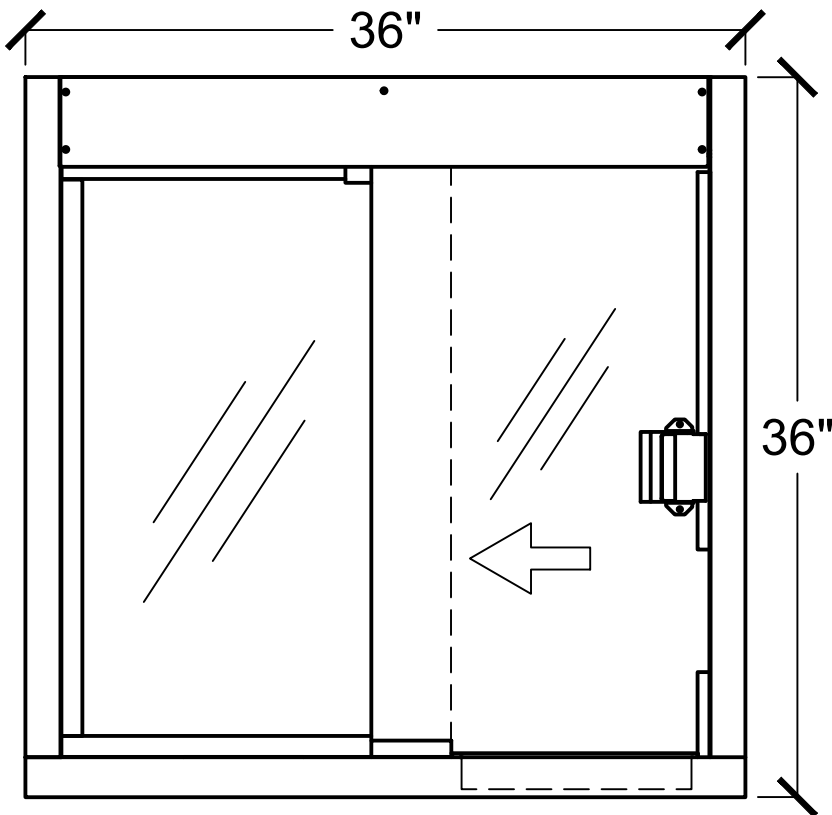


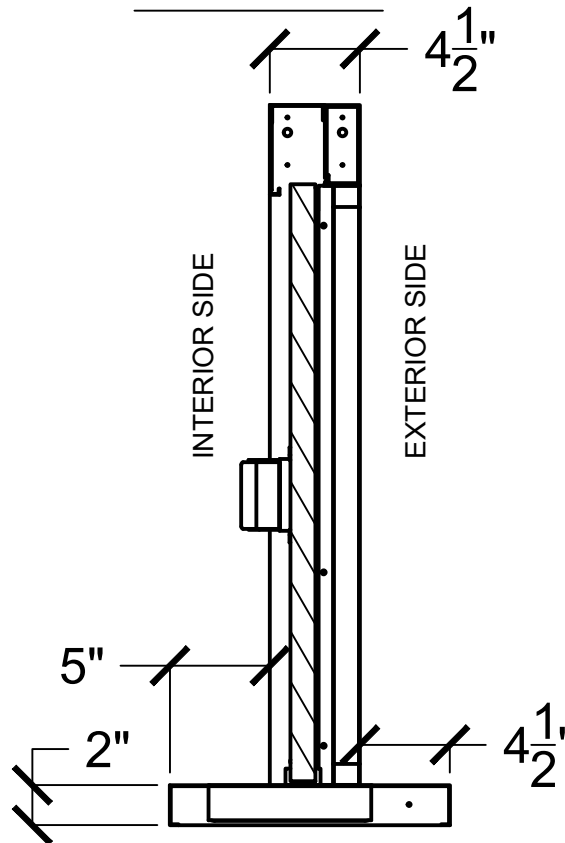
Top View



Interior Front View



Side View



COVENANT
Security Equipment

PLEASE SELECT:

1. FRAMING:

- Aluminum Loaded Frame

2. FRAME COLOR:

- Bronze Anodized Clear Anodized

Other: _____

3. GLAZING:

- 3/4" Poly - L1 1-1/4" Acrylic - L1

- 1-1/4" Poly - L3 1-1/4" Acrylic - L3

Other: _____

4. DEAL TRAY TYPE:

- Non-BR - Curved BR - Square

Key Notes

Unit:

TWB COMBO (RIGHT)

Actual Dimension:

36"(W) x 36"(H)

Rough Opening:

36 3/8"(W) x 36 3/8"(H)

Service Opening:

12 7/8"(W) x 29"(H)

Engineer Notes

Date drawn: 3/31/2020

Drawn by: Avasquez

File name: TWB Combo 36x36.dwg

Page: 1 of 1

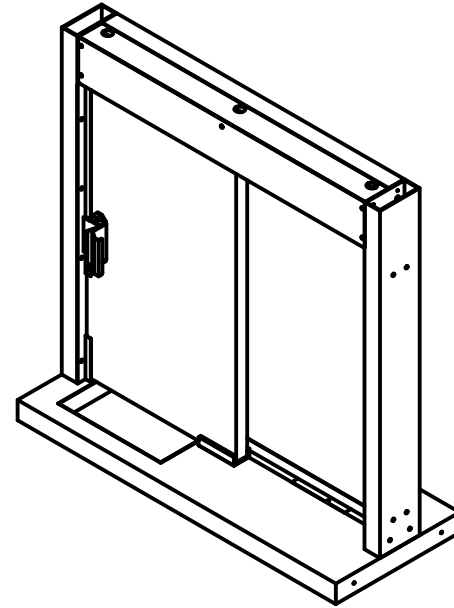
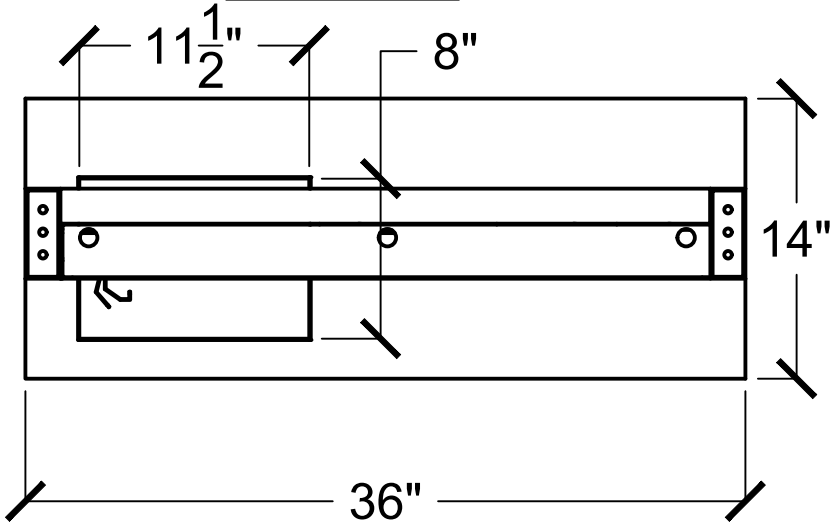
Scale: 1:10

NOTE: THIS DRAWING EMBODIES A CONFIDENTIAL PROPRIETY DESIGN ORIGINATED AND OWNED BY COVENANT SECURITY EQUIPMENT, AND IS SUBMITTED UNDER A CONFIDENTIAL RELATIONS ALL PATENT, MANUFACTURING, SALE RIGHTS REGARDING THE SAME ARE RESERVED EXCEPT TO THE EXTENT RIGHTS ARE EXPRESSLY GRANTED TO OTHERS. THE RECIPIENT AGREES BY ACCEPTING THESE DRAWINGS NOT TO SUPPLY OR DISCLOSE ANY INFORMATION REGARDING THEM TO ANY UNAUTHORIZED PERSONAL.

SIGNATURE: _____

DATE: _____

Top View



COVENANT
Security Equipment

PLEASE SELECT:

1. FRAMING:

- Aluminum Loaded Frame

2. FRAME COLOR:

- Bronze Anodized Clear Anodized

Other: _____

3. GLAZING:

- 3/4" Poly - L1 1-1/4" Acrylic - L1

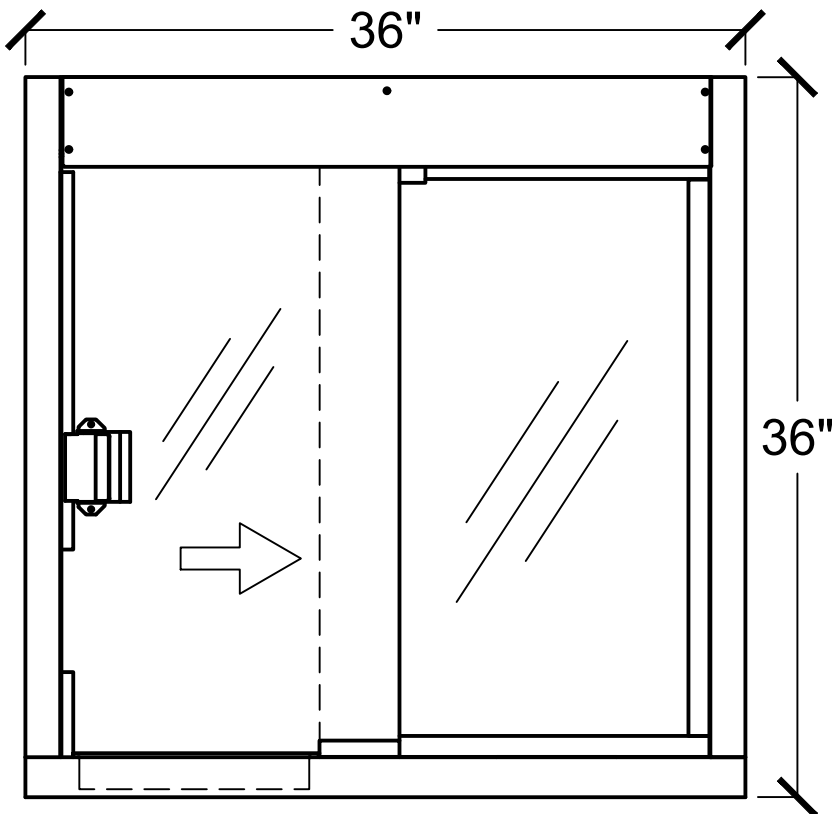
- 1-1/4" Poly - L3 1-1/4" Acrylic - L3

Other: _____

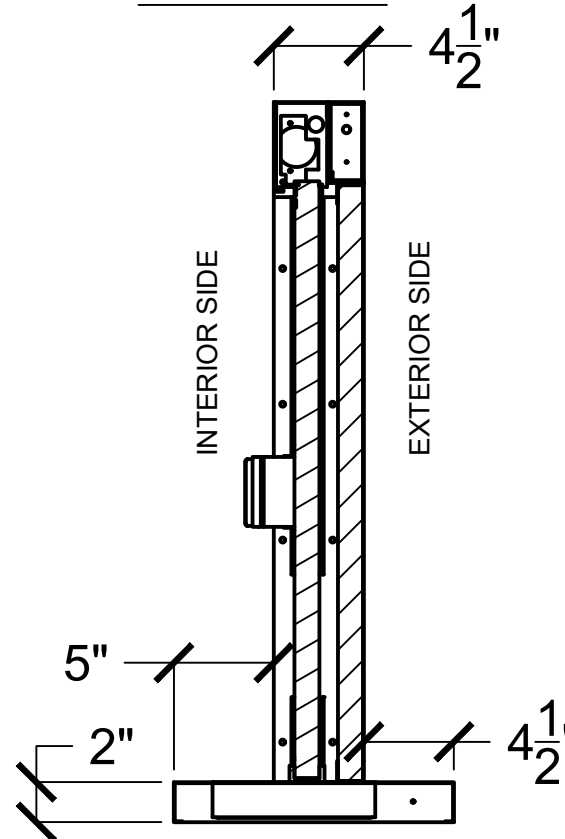
4. DEAL TRAY TYPE:

- Non-BR - Curved BR - Square

Interior Front View



Side View



Key Notes

Unit:

TWB COMBO (LEFT)

Actual Dimension:

36"(W) x 36"(H)

Rough Opening:

36 3/8"(W) x 36 3/8"(H)

Service Opening:

12 7/8"(W) x 29"(H)

Engineer Notes

Date drawn: 3/31/2020

Drawn by: Avasquez

File name: TWB Combo 36x36.dwg

Page: 1 of 1

Scale: 1:10

NOTE: THIS DRAWING EMBODIES A CONFIDENTIAL PROPRIETY DESIGN ORIGINATED AND OWNED BY COVENANT SECURITY EQUIPMENT, AND IS SUBMITTED UNDER A CONFIDENTIAL RELATIONS ALL PATENT, MANUFACTURING, SALE RIGHTS REGARDING THE SAME ARE RESERVED EXCEPT TO THE EXTENT RIGHTS ARE EXPRESSLY GRANTED TO OTHERS. THE RECIPIENT AGREES BY ACCEPTING THESE DRAWINGS NOT TO SUPPLY OR DISCLOSE ANY INFORMATION REGARDING THEM TO ANY UNAUTHORIZED PERSONAL.

SIGNATURE: _____

DATE: _____