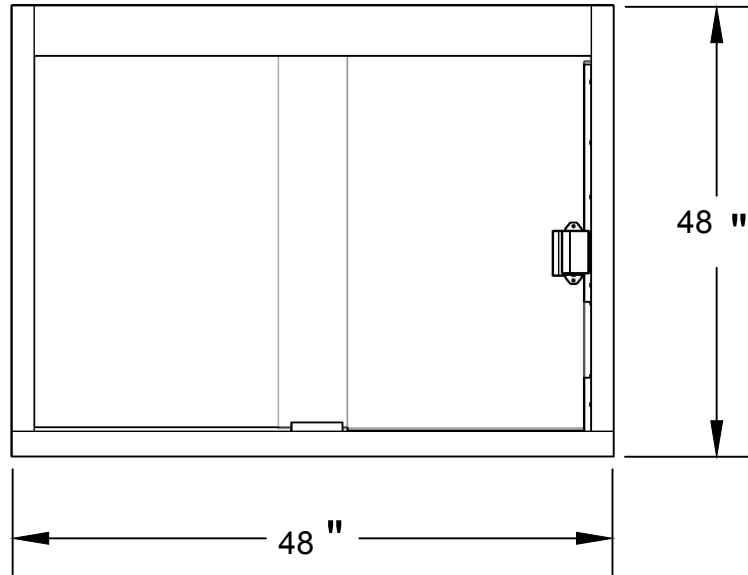
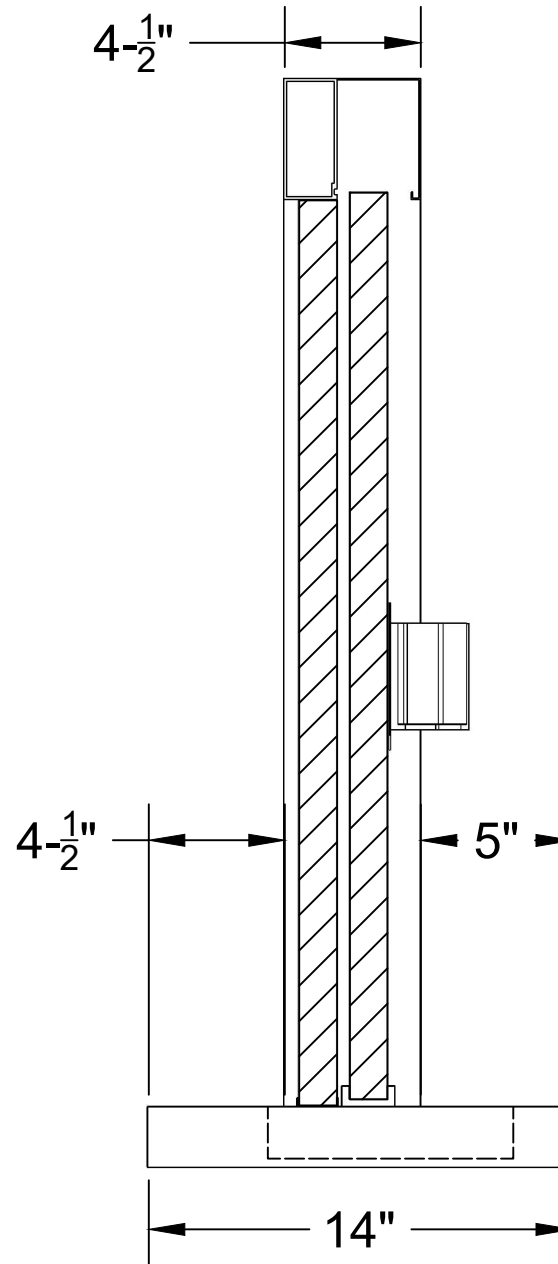


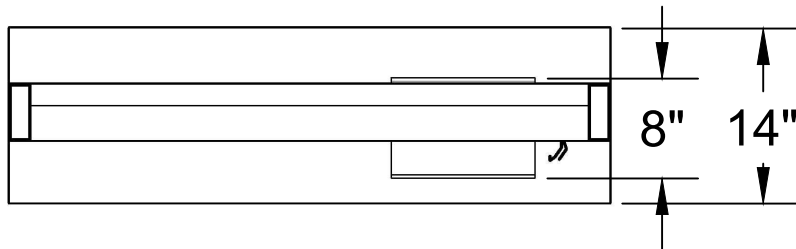
Interior Front View (RIGHT)



Side View



Top View



COVENANT
Security Equipment

PLEASE SELECT:

1. FRAMING:

- Aluminum UL Rated Alum
 UL Rated Stainless

2. FRAME COLOR:

- Bronze Anodized Clear Anodized

Other: _____

3. GLAZING:

- 3/4" Poly - L1 1-1/4" Acrylic - L1
 1-1/4" Poly - L3 1-1/4" Acrylic - L3
 Non BR 1/2" Polycarbonate

Other: _____

4. DEAL TRAY TYPE:

- Non-BR - Curved BR - Square

Key Notes

Unit:

TICKET WINDOW COMBO

Actual Dimension:

"(W) x "(H) 48" W x 48" H

Rough Opening:

"(W) x "(H) 48-3/8 W x 48-3/8 H

Engineer Notes

Date drawn:10/21/2019

Drawn by:A.V.

File name:TWB COMBO FILL IN COVENANT

Page:

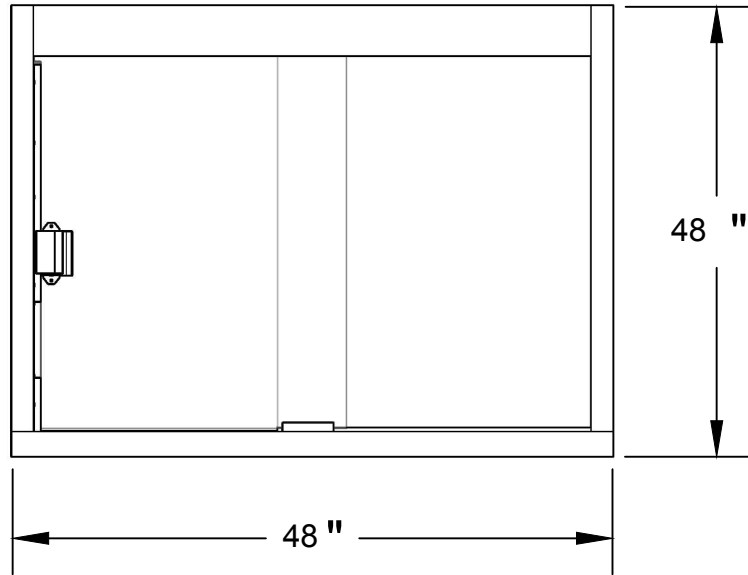
Scale: SCALE

NOTE: THIS DRAWING EMBODIES A CONFIDENTIAL PROPRIETY DESIGN ORIGINATED AND OWNED BY COVENANT SECURITY EQUIPMENT SUBMITTED UNDER A CONFIDENTIAL RELATIONS ALL PATENT, MANUFACTURING, SALE RIGHTS REGARDING THE SAME ARE RESERVED EXCEPT TO THE EXTENT RIGHTS ARE EXPRESSLY GRANTED TO OTHERS. THE RECIPIENT AGREES BY ACCEPTING HIP. THESE DRAWINGS NOT TO SUPPLY OR DISCLOSE ANY INFORMATION REGARDING THEM TO ANY UNAUTHORIZED PERSON.

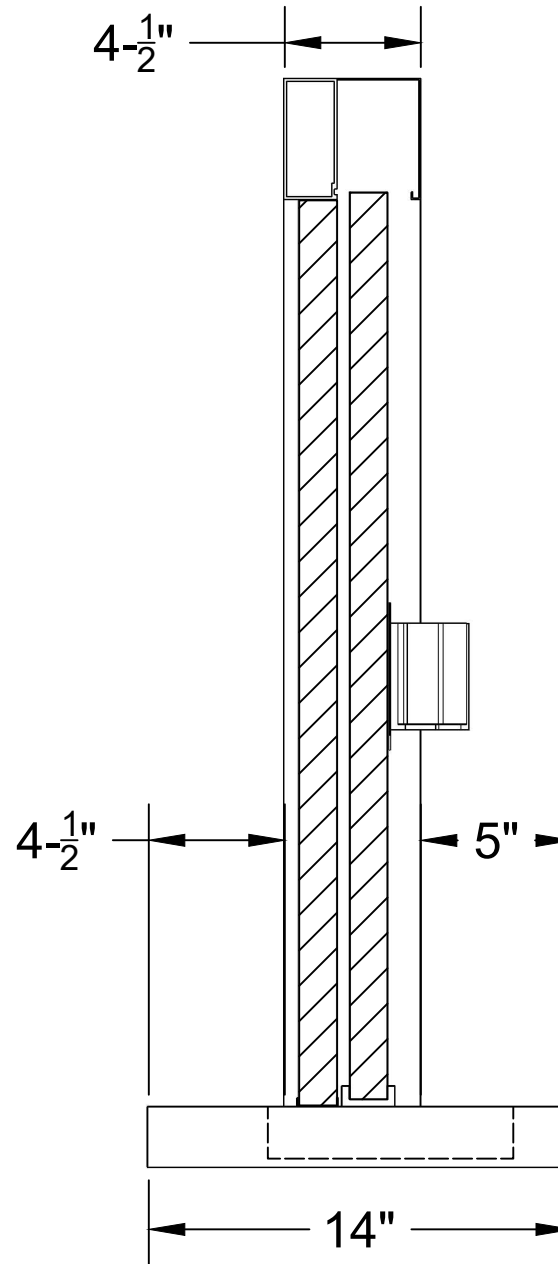
SIGNATURE: _____

DATE: _____

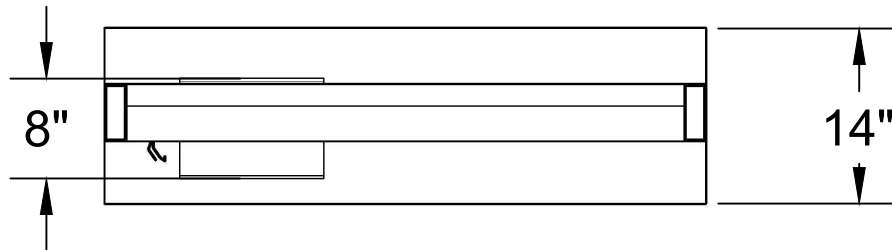
Interior Front View (LEFT)



Side View



Top View



COVENANT
Security Equipment

PLEASE SELECT:

1. FRAMING:

- Aluminum UL Rated Alum
 UL Rated Stainless

2. FRAME COLOR:

- Bronze Anodized Clear Anodized

Other: _____

3. GLAZING:

- 3/4" Poly - L1 1-1/4" Acrylic - L1
 1-1/4" Poly - L3 1-1/4" Acrylic - L3
 Non BR 1/2" Polycarbonate

Other: _____

4. DEAL TRAY TYPE:

- Non-BR - Curved BR - Square

Key Notes

Unit:

TICKET WINDOW COMBO

Actual Dimension:

"(W) x "(H) 48" (W) x 48" (H)

Rough Opening:

"(W) x "(H) 48-3/8 W x 48-3/8 H

Engineer Notes

Date drawn:10/21/2019

Drawn by:A.V.

File name:TWB COMBO FILL IN COVENANT

Page:

Scale: SCALE

NOTE: THIS DRAWING EMBODIES A CONFIDENTIAL PROPRIETY DESIGN ORIGINATED AND OWNED BY COVENANT SECURITY EQUIPMENT SUBMITTED UNDER A CONFIDENTIAL RELATIONS ALL PATENT, MANUFACTURING, SALE RIGHTS REGARDING THE SAME ARE RESERVED EXCEPT TO THE EXTENT RIGHTS ARE EXPRESSLY GRANTED TO OTHERS. THE RECIPIENT AGREES BY ACCEPTING HIP. THESE DRAWINGS NOT TO SUPPLY OR DISCLOSE ANY INFORMATION REGARDING THEM TO ANY UNAUTHORIZED PERSON.

SIGNATURE: _____

DATE: _____