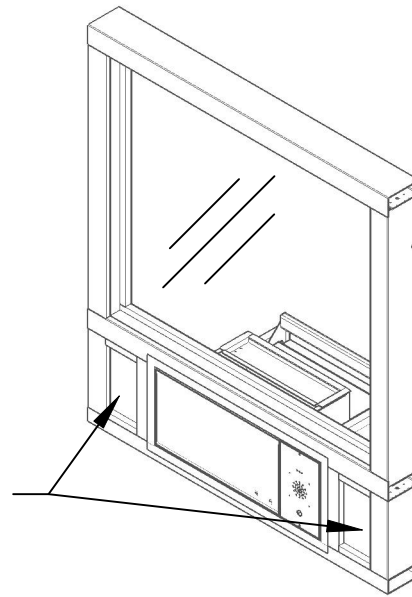
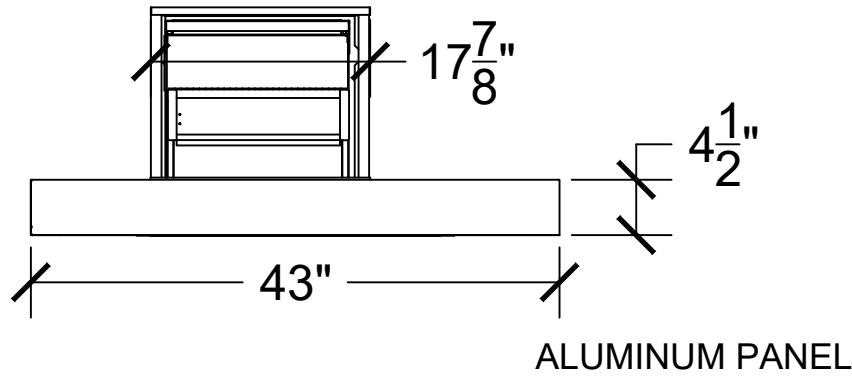


TOP VIEW



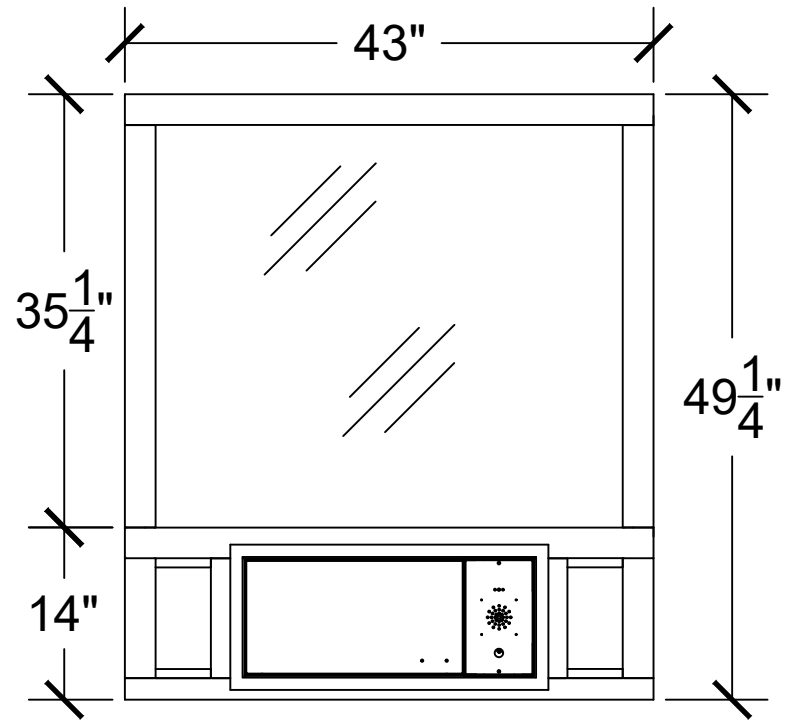
PLEASE SELECT:

- 1. FRAMING:**
 - Aluminum
 - Loaded Aluminum
- 2. FRAME COLOR:**
 - Bronze Anodized
 - Clear Anodized

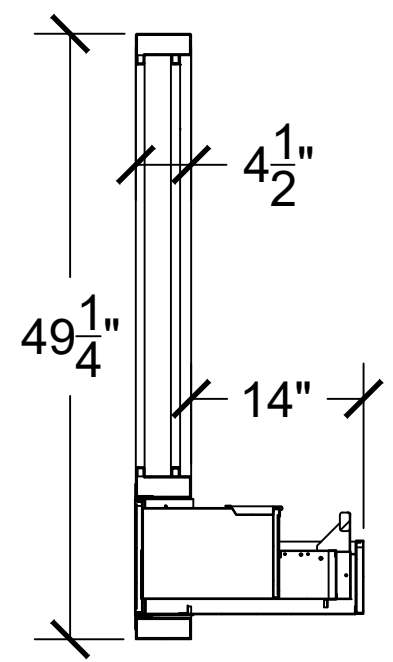
Other: _____
- 3. GLAZING:**
 - 1" Insulated
 - 1-1/4" Acrylic - L1
 - 3/4" Poly - L1
 - 1-1/4" Acrylic - L3
 - 1-1/4" Poly - L3
 - Storm Impact Low-E

Other: _____

EXTERIOR BACK VIEW



SIDE VIEW



Key Notes

Unit:
QST-1019S MINI COMBO

Actual Dimension:
43"(W) x 49 $\frac{1}{4}$ "(H)

Rough Opening:
43-3/8"(W) x 49 $\frac{5}{8}$ "(H)

Engineer Notes

Date drawn: 3/6/2020
Drawn by: Avasquez
File name: 1019S MINI COMBO 43 49.dwg
Page: 1 of 1 **Scale:** 1:16

NOTE: THIS DRAWING EMBODIES A CONFIDENTIAL PROPRIETY DESIGN ORIGINATED AND OWNED BY COVENANT SECURITY EQUIPMENT, AND IS SUBMITTED UNDER A CONFIDENTIAL RELATIONS ALL PATENT, MANUFACTURING, SALE RIGHTS REGARDING THE SAME ARE RESERVED EXCEPT TO THE EXTENT RIGHTS ARE EXPRESSLY GRANTED TO OTHERS. THE RECIPIENT AGREES BY ACCEPTING THESE DRAWINGS NOT TO SUPPLY OR DISCLOSE ANY INFORMATION REGARDING THEM TO ANY UNAUTHORIZED PERSONAL.

SIGNATURE: _____
DATE: _____