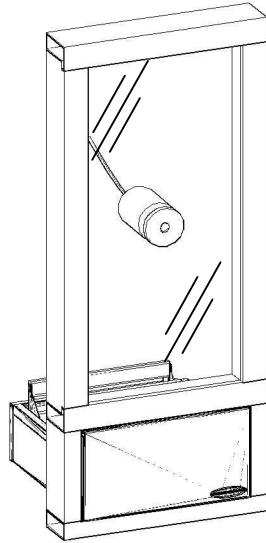
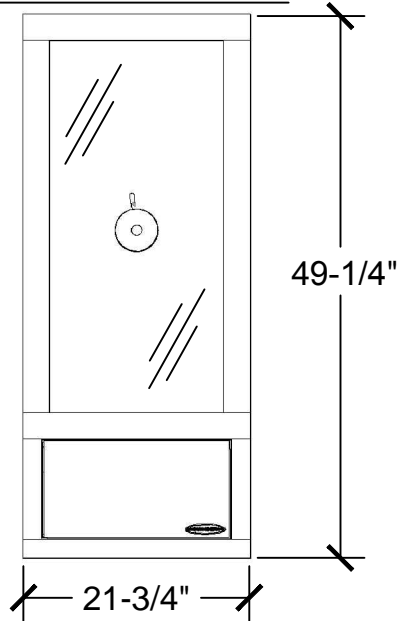


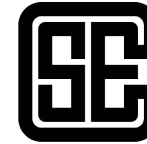
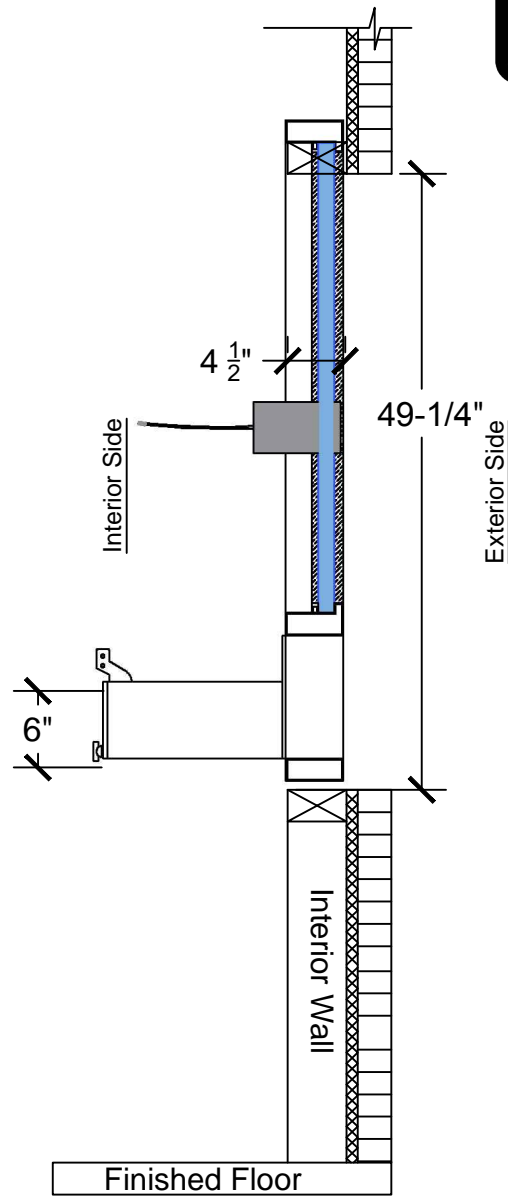
QST-1019 - MINI COMBO



Interior View



Side View



COVENANT
Security Equipment

PLEASE SELECT:

1. GLAZING:

- 1/4" Tempered 5/8" Insulated B.R.
 Other: _____

2. B.R. LEVEL (IF SELECTED):

- Level I Level III
 Other: _____

3. FRAMING:

- Aluminum Loaded Frame

4. COLOR OF ALUM. (IF SELECTED):

- Clear Anodized Dark Bronze
 Other: _____

5. SPEAKER:

- 6" B.R. Speak Tube 5" Non B.R. Speak Tube
 Speak Around (SC-100L) Amplified

Key Notes

Model:

QST-1019 - MINI COMBO

Actual Dimension:

21-3/4" (W) x 49-1/4" (H)

Rough Opening:

22-1/8" (W) x 49-5/8" (H)

Engineer Notes

Date drawn: 10/11/2017 Scale: 1:20 (Interior View)
 Drawn by: C.S.
 File name: QST-1019S - MINI COMBO.dwg

NOTE: THIS DRAWING EMBODIES A CONFIDENTIAL PROPRIETY DESIGN ORIGINATED AND OWNED BY CSE AND IS SUBMITTED UNDER A CONFIDENTIAL RELATIONS ALL PATENT, MANUFACTURING, SALE RIGHTS REGARDING THE SAME ARE RESERVED EXCEPT TO THE EXTENT RIGHTS ARE EXPRESSLY GRANTED TO OTHERS. THE RECIPIENT AGREES BY ACCEPTING THESE DRAWINGS NOT TO SUPPLY OR DISCLOSE ANY INFORMATION REGARDING THEM TO ANY UNAUTHORIZED PERSONAL.

SIGNATURE: _____ DATE: _____