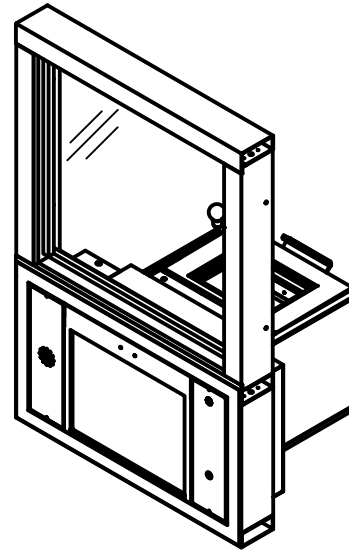
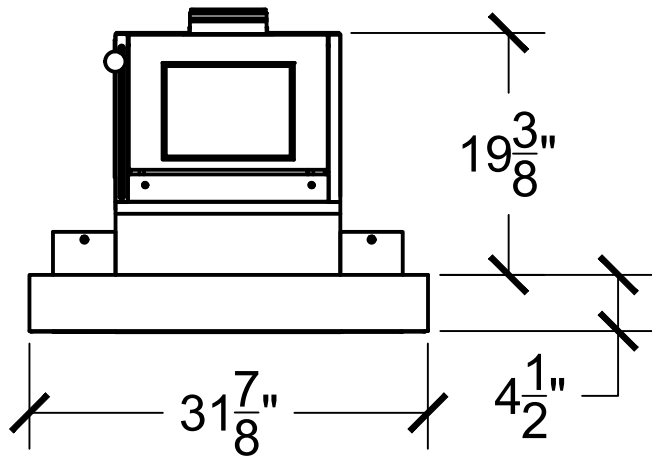
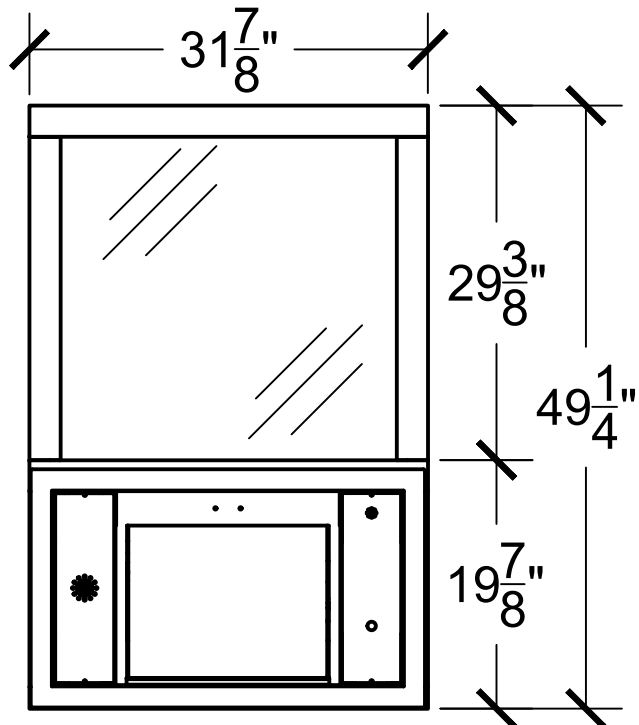


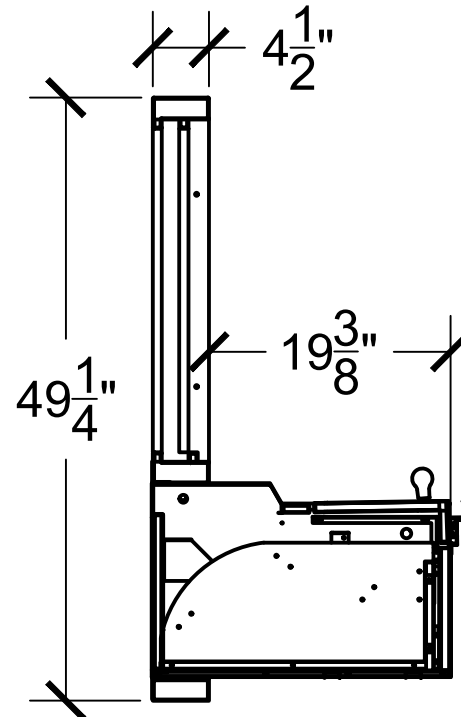
Top View



Exterior Back View



Side View



COVENANT
Security Equipment

PLEASE SELECT:

1. FRAMING:

- Aluminum Loaded Aluminum

2. FRAME COLOR:

- Bronze Anodized Clear Anodized

Other: _____

3. GLAZING:

- 1" Insulated 1-1/4" Acrylic - L1

- 3/4" Poly - L1 1-1/4" Acrylic - L3

- 1-1/4" Poly - L3 1-1/4" Acrylic - L3

- Storm Impact Low-E

Other: _____

Key Notes

Unit:

CSE-QS-TS-12S

Actual Dimension:

31 ⁷/₈"(W) x 49 ¹/₄"(H)

Rough Opening:

32 ¹/₄"(W) x 49 ⁵/₈"(H)

Engineer Notes

Date drawn:10/5/2020

Drawn by:Avasquez

File name:QSB-12 MINI COMBO.dwg

Page: 1 of 1

Scale:1:16

NOTE: THIS DRAWING EMBODIES A CONFIDENTIAL PROPRIETY DESIGN ORIGINATED AND OWNED BY COVENANT SECURITY, AND IS SUBMITTED UNDER A CONFIDENTIAL RELATIONS ALL PATENT, MANUFACTURING, SALE RIGHTS REGARDING THE SAME ARE RESERVED EXCEPT TO THE EXTENT RIGHTS ARE EXPRESSLY GRANTED TO OTHERS. THE RECIPIENT AGREES BY ACCEPTING THESE DRAWINGS NOT TO SUPPLY OR DISCLOSE ANY INFORMATION REGARDING THEM TO ANY UNAUTHORIZED PERSONAL.

SIGNATURE: _____

DATE: _____