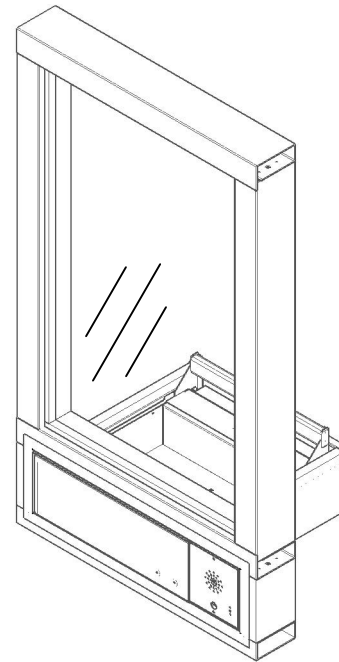
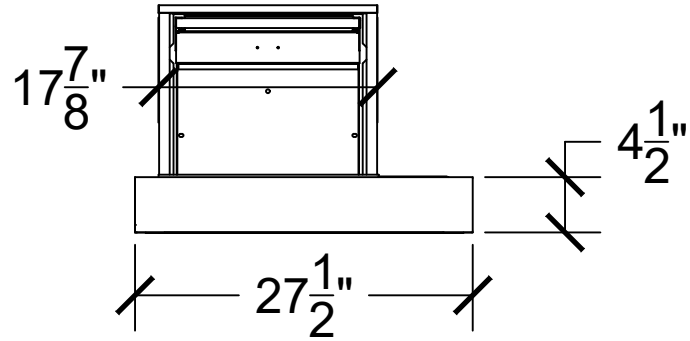
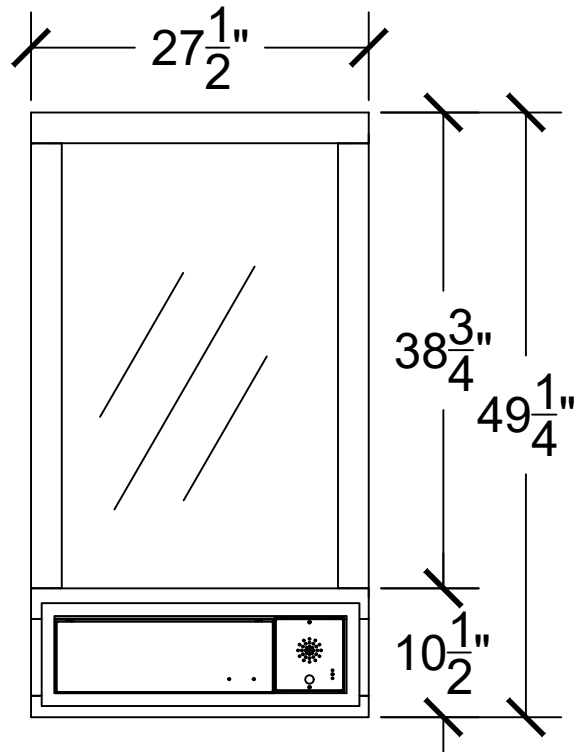


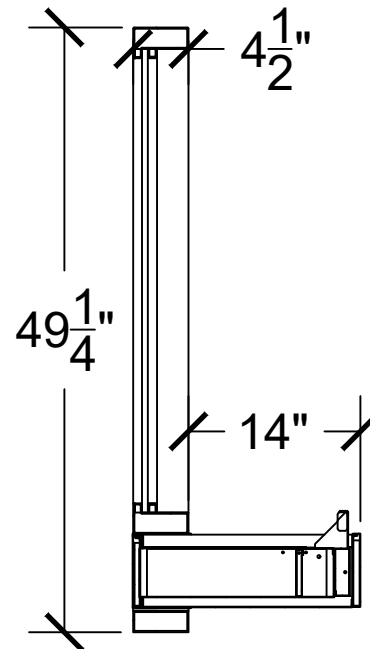
Top View



Exterior Back View



Side View



COVENANT
Security Equipment

PLEASE SELECT:

- 1. FRAMING:**
- Aluminum
 - Stainless
 - Bronze Anodized
 - Storm Impact Low-E
 - Loaded Aluminum
 - Clear Anodized
- Other: _____
- 2. FRAME COLOR:**
- 1/4" Tempered
 - 3/4" Poly - L1
 - 1-1/4" Poly - L3
 - 1-1/4" Acrylic - L1
 - 1-1/4" Acrylic - L3
- Other: _____

Key Notes

Unit:
QST-625S MINI COMBO

Actual Dimension:
27-1/2"(W) X 49-1/4"(H)

Rough Opening:
27-7/8"(W) X 49-5/8"(H)

Service Opening:
14 ⁵/₈"(W) X 4 ¹/₂"(H) X 12 ³/₄"(D)

Engineer Notes

Date drawn: 8/5/2021
Drawn by: Avasquez
File name: QST-625S MINI 27 49.dwg

Page: 1 of 1 **Scale:** 1:16

NOTE: THIS DRAWING EMBODIES A CONFIDENTIAL PROPRIETY DESIGN ORIGINATED AND OWNED BY QUIKSERV CORP., AND IS SUBMITTED UNDER A CONFIDENTIAL RELATIONS ALL PATENT, MANUFACTURING, SALE RIGHTS REGARDING THE SAME ARE RESERVED EXCEPT TO THE EXTENT RIGHTS ARE EXPRESSLY GRANTED TO OTHERS. THE RECIPIENT AGREES BY ACCEPTING THESE DRAWINGS NOT TO SUPPLY OR DISCLOSE ANY INFORMATION REGARDING THEM TO ANY UNAUTHORIZED PERSONAL.

SIGNATURE: _____
DATE: _____