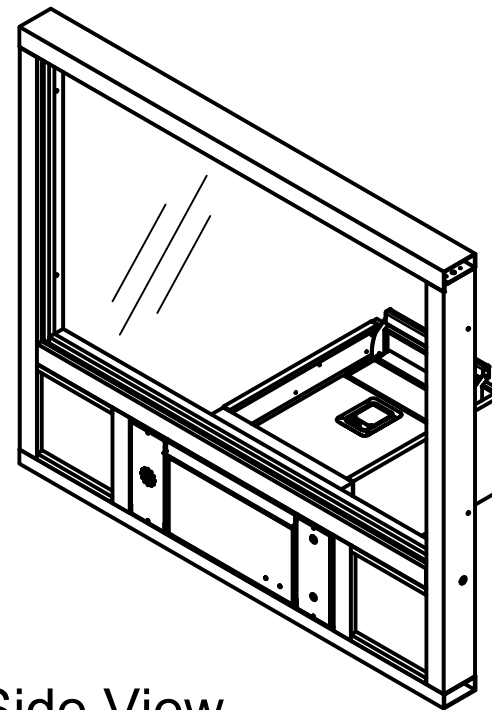
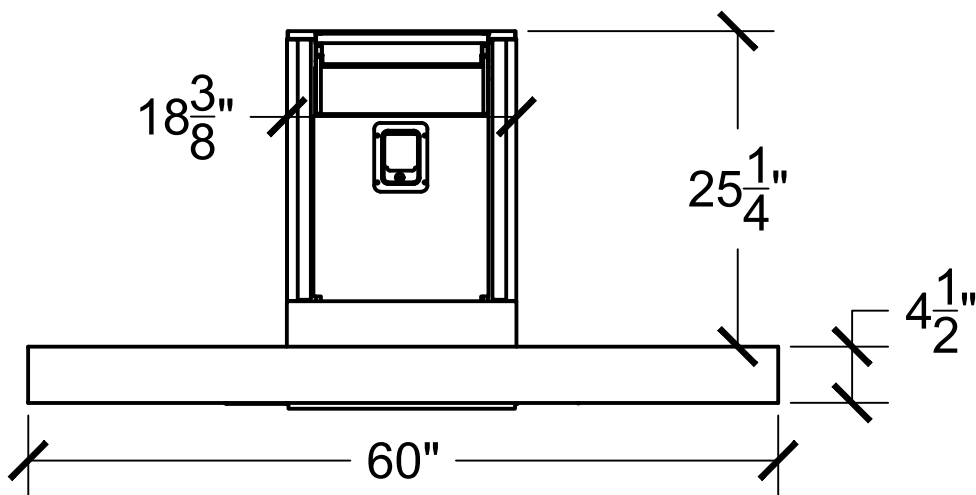
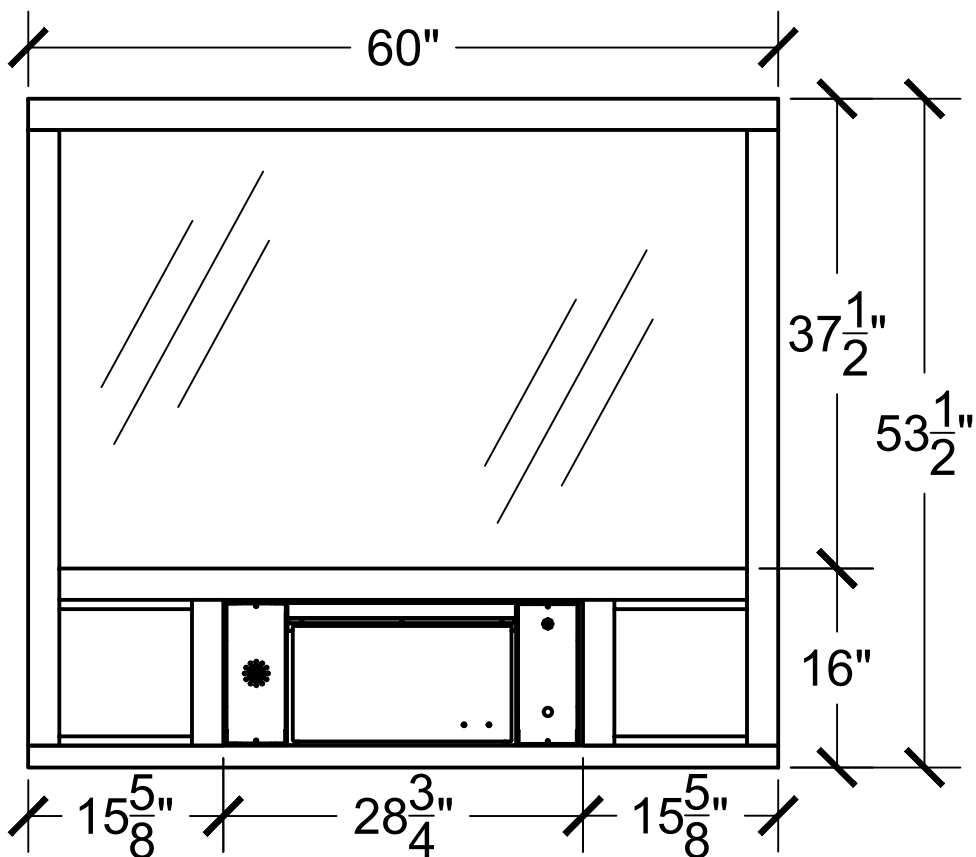




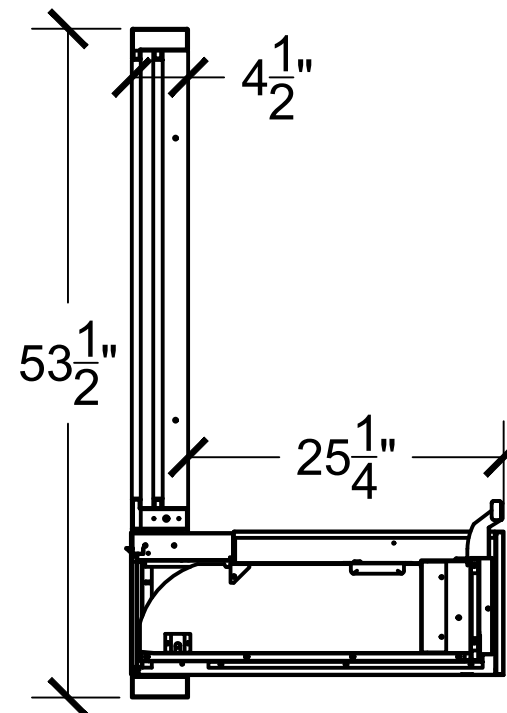
Top View



Exterior Back View



Side View



PLEASE SELECT:

1. FRAMING:

- Aluminum Loaded Aluminum

2. FRAME COLOR:

- Bronze Anodized Clear Anodized

Other: _____

3. GLAZING:

- 1" Insulated 1-1/4" Acrylic - L1

- 3/4" Poly - L1 1-1/4" Acrylic - L3

- 1-1/4" Poly - L3 1-1/4" Acrylic - L3

- Storm Impact Low-E

Other: _____

4. Panel

- Aluminum Panel Mail Slot (Optional)

Key Notes

Unit:

PCJ-130 PHARMACY PACKAGE

Actual Dimension:

60"(W) X 53 1/2"(H)

Rough Opening:

60 3/8"(W) X 53 7/8"(H)

Engineer Notes

Date drawn: 2/25/2021

Drawn by: Avasquez

File name: PCJ-130.dwg

Page: 1 of 1

Scale: 1:16

SIGNATURE: _____

DATE: _____