

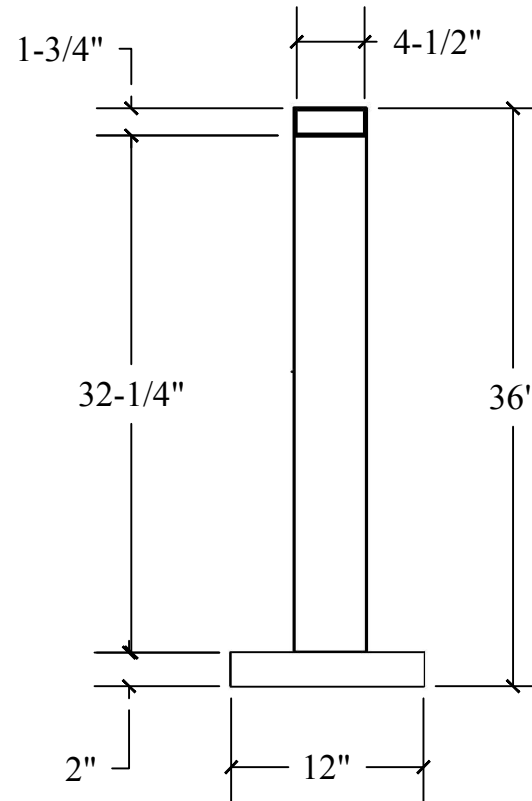
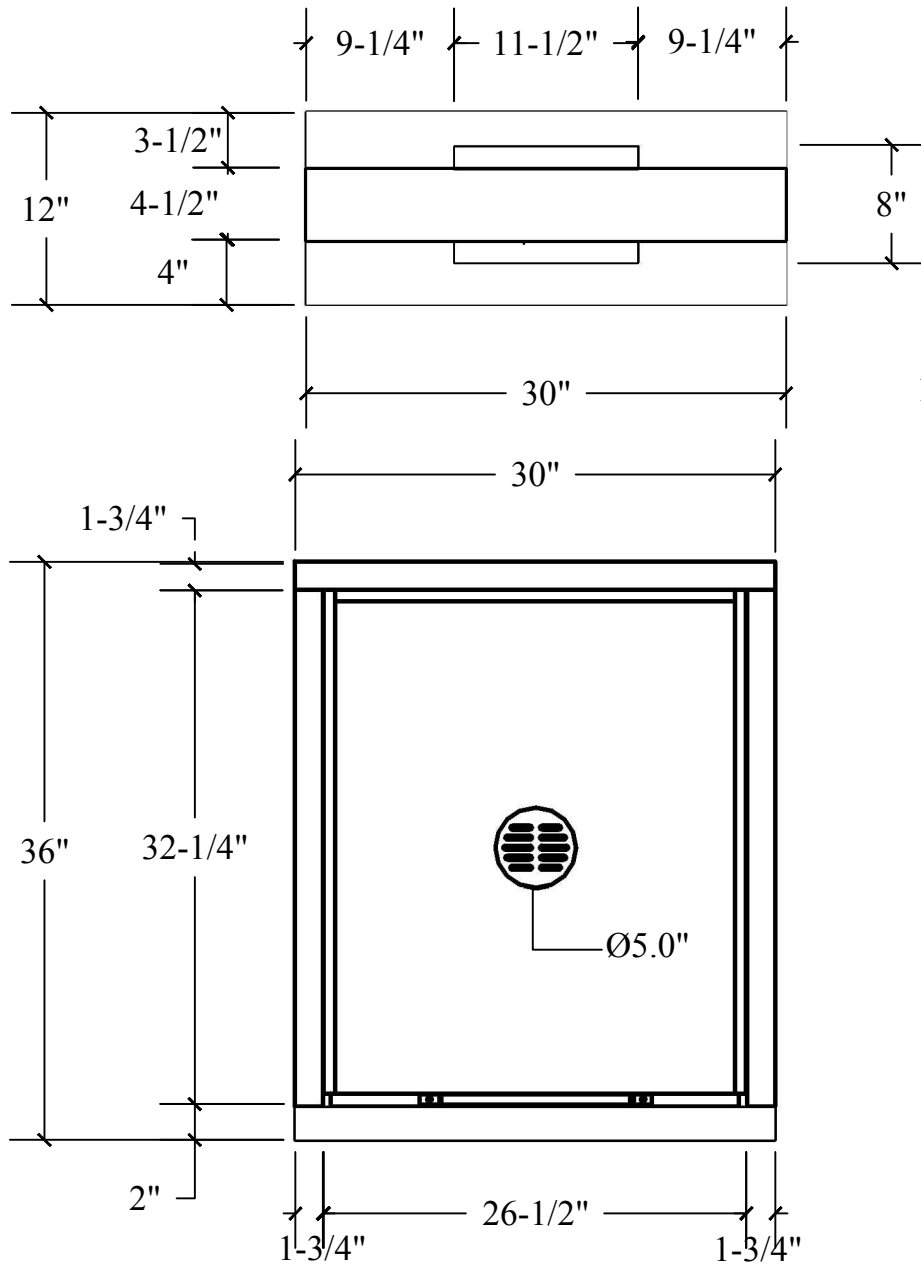
General Notes

Actual Dimension

30"(W) x 36"(H)

Rough Opening

30-3/8"(W) x 36-3/8"(H)



SE COVENANT
Security Equipment
www.covenantsecurityequipment.com

TITLE:

TICKET WINDOW

Drawing Name

CSE-QS-TW1-3036 Three Side View

DATE

7/11/2016

DRAWN BY

RBV

SCALE

1:12

SHEET

1 of 4

SIZE

A

NOTE: THIS DRAWING EMBODIES A CONFIDENTIAL PROPRIETY DESIGN ORIGINATED AND OWNED BY COVENANT SECURITY EQUIPMENT, AND IS SUBMITTED UNDER A CONFIDENTIAL RELATIONS ALL PATENT, MANUFACTURING, SALE RIGHTS REGARDING THE SAME ARE RESERVED EXCEPT TO THE EXTENT RIGHTS ARE EXPRESSLY GRANTED TO OTHERS. THE RECIPIENT AGREES BY ACCEPTING HIP. THESE DRAWINGS NOT TO SUPPLY OR DISCLOSE ANY INFORMATION REGARDING THEM TO ANY UNAUTHORIZED PERSON.