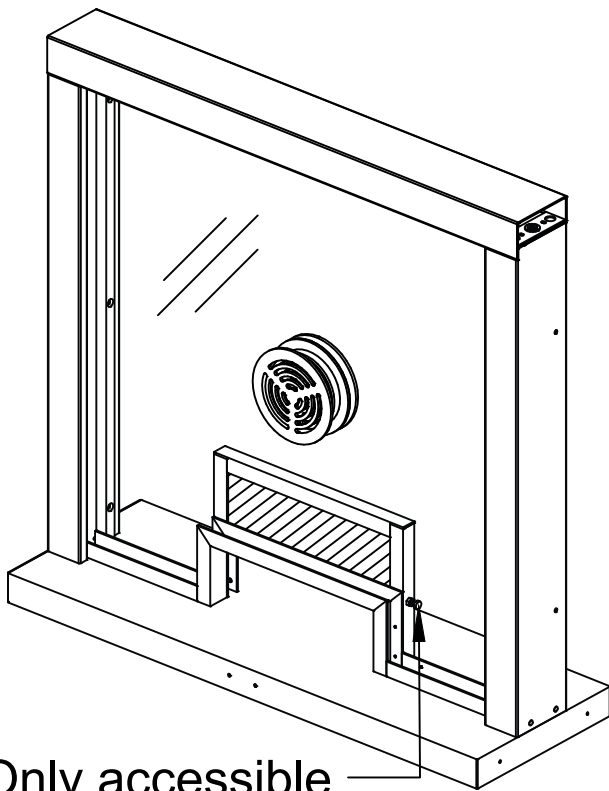
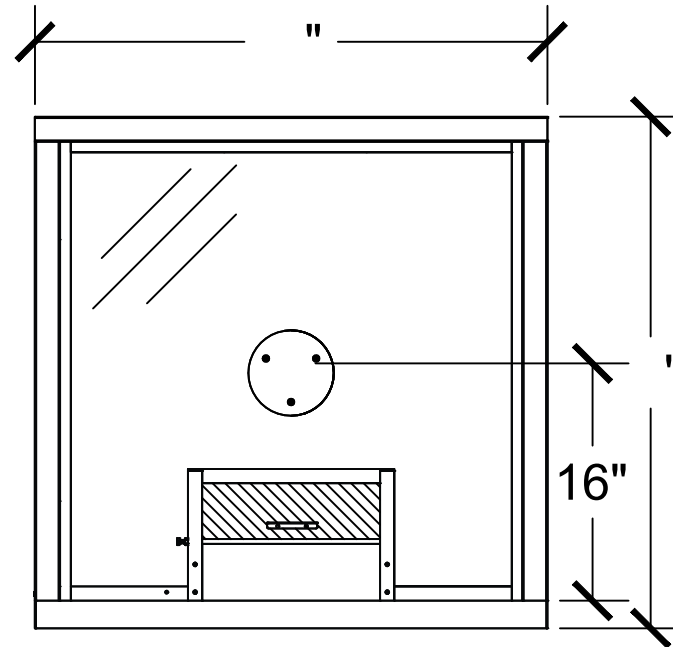




Interior Front View



PLEASE SELECT:

1. FRAMING:

- Aluminum
- Loaded Frame

2. FRAME COLOR:

- Bronze Anodized
- Clear Anodized

Other: _____

3. GLAZING:

- 1/4" Tempered
- 5/8" or 1" Insulated
- 3/4" Poly - L1
- 1-1/4" Acrylic - L1
- 1-1/4" Poly - L3
- 1-1/4" Acrylic - L3
- 7/8" Storm Impact

Other: _____

4. DEAL TRAY TYPE:

- Non-BR - Curved
- BR - Square

5. SPEAKER:

- 6" BR Speak-Thru (L3)
- 5" Non-BR Speak Plate
- SC-100 Amplified
- SC-100L Amplified
- Speak Around

6. BASE:

- Sloped Base

Key Notes

Unit:

TICKET WINDOW SLIDE UP

Actual Dimension:

"(W) x "(H)

Rough Opening:

"(W) x "(H)

Engineer Notes

Date drawn: 10/21/2019

Drawn by: A.V.

File name: TWB SLIDE UP FILL IN COVENANT

Page:

Scale: SCALE

NOTE: THIS DRAWING EMBODIES A CONFIDENTIAL PROPRIETY DESIGN ORIGINATED AND OWNED BY COVENANT SECURITY EQUIPMENT SUBMITTED UNDER A CONFIDENTIAL RELATIONS ALL PATENT, MANUFACTURING, SALE RIGHTS REGARDING THE SAME ARE RESERVED EXCEPT TO THE EXTENT RIGHTS ARE EXPRESSLY GRANTED TO OTHERS. THE RECIPIENT AGREES BY ACCEPTING HIP. THESE DRAWINGS NOT TO SUPPLY OR DISCLOSE ANY INFORMATION REGARDING THEM TO ANY UNAUTHORIZED PERSON.

SIGNATURE: _____

DATE: _____

Side View

4-1/2"

Exterior Side

Interior Side

3 1/2"

1 3/4"

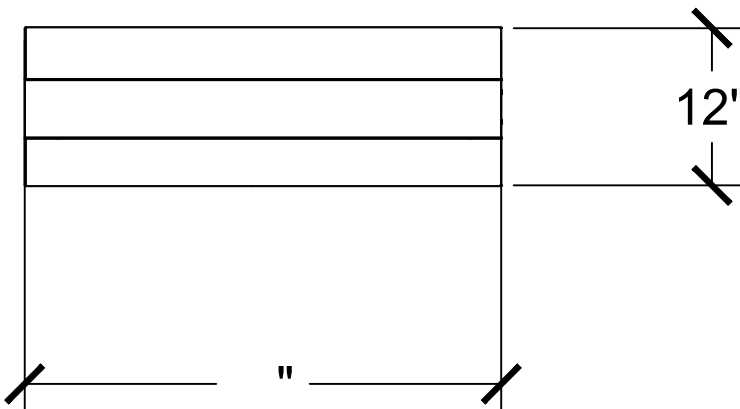
Optional Sloped base

4"

2"

2"

Top View



"

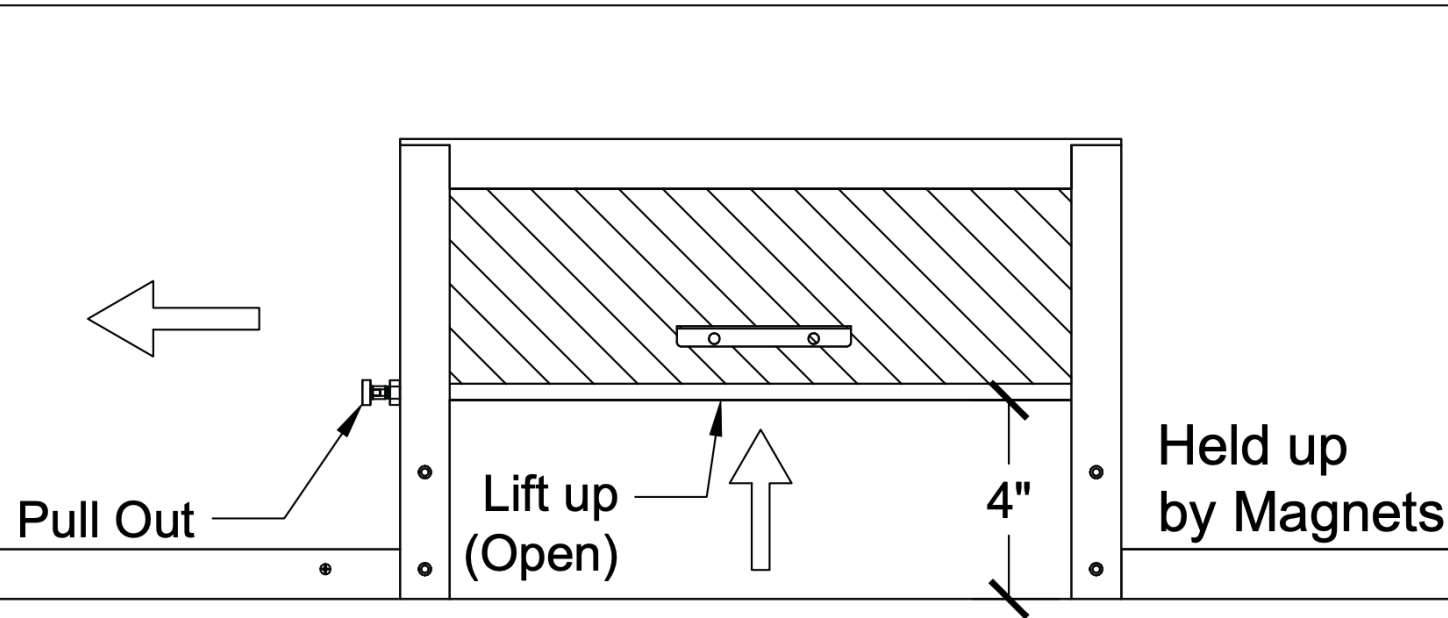
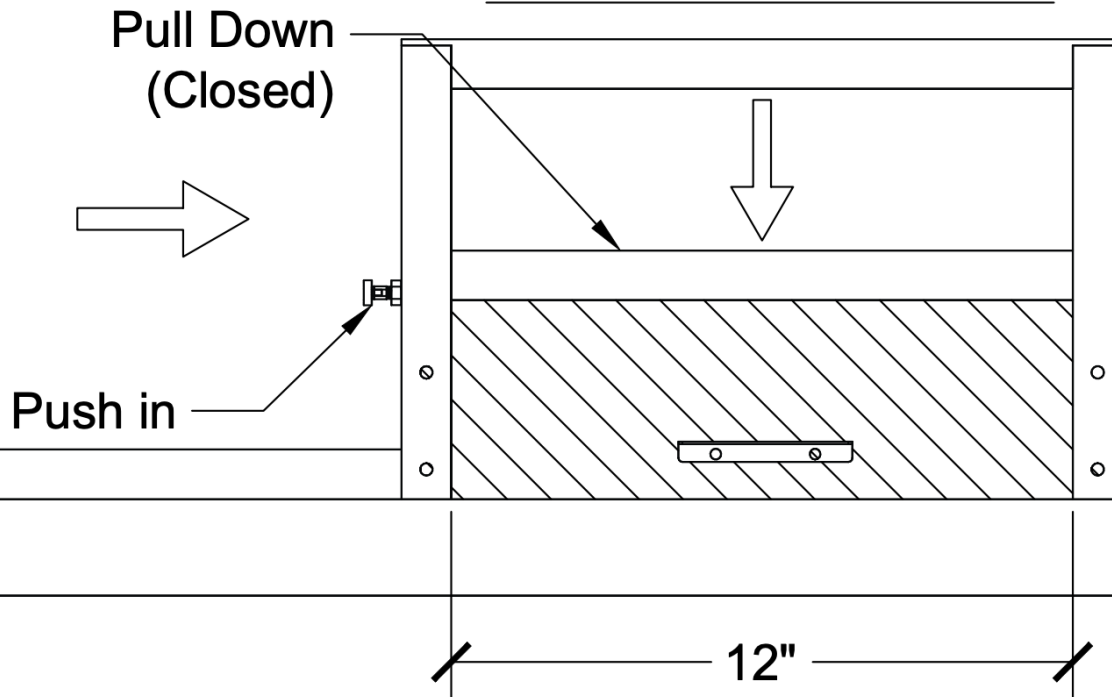
12"

Only accessible on service side

Interior Front View



COVENANT
Security Equipment



PLEASE SELECT:

1. FRAMING:

- Aluminum
- Loaded Frame

2. FRAME COLOR:

- Bronze Anodized
- Clear Anodized

Other: _____

3. GLAZING:

- 1/4" Tempered
- 5/8" or 1" Insulated
- 3/4" Poly - L1
- 1-1/4" Acrylic - L1
- 1-1/4" Poly - L3
- 1-1/4" Acrylic - L3
- 7/8" Storm Impact

Other: _____

4. DEAL TRAY TYPE:

- Non-BR - Curved
- BR - Square

5. SPEAKER:

- 6" BR Speak-Thru (L3)
- 5" Non-BR Speak Plate
- SC-100 Amplified
- SC-100L Amplified
- Speak Around

Key Notes

Unit:

TICKET WINDOW SLIDE UP

Actual Dimension:

"(W) x "(H)

Rough Opening:

"(W) x "(H)

Engineer Notes

Date drawn:10/21/2019

Drawn by:A.V.

File name:TWB SLIDE UP FILL IN COVENANT

Page:

Scale: SCALE

NOTE: THIS DRAWING EMBODIES A CONFIDENTIAL PROPRIETY DESIGN ORIGINATED AND OWNED BY COVENANT SECURITY EQUIPMENT SUBMITTED UNDER A CONFIDENTIAL RELATIONS ALL PATENT, MANUFACTURING, SALE RIGHTS REGARDING THE SAME ARE RESERVED EXCEPT TO THE EXTENT RIGHTS ARE EXPRESSLY GRANTED TO OTHERS. THE RECIPIENT AGREES BY ACCEPTING HIP. THESE DRAWINGS NOT TO SUPPLY OR DISCLOSE ANY INFORMATION REGARDING THEM TO ANY UNAUTHORIZED PERSON.

SIGNATURE: _____

DATE: _____