

**Rough Opening:**

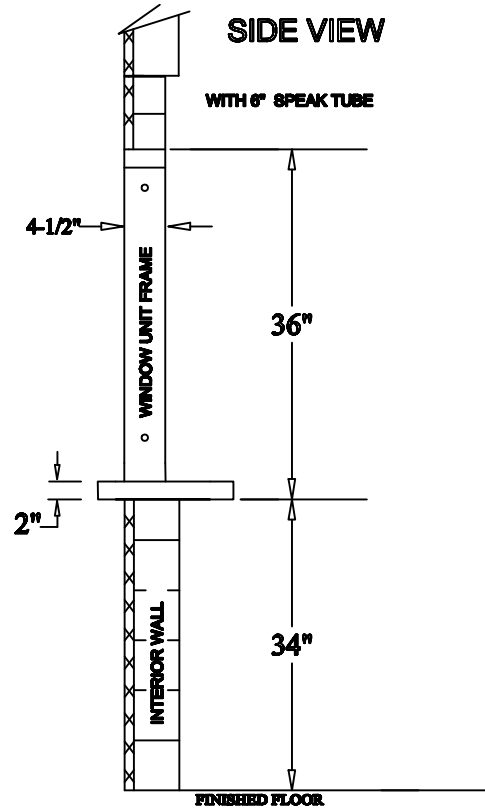
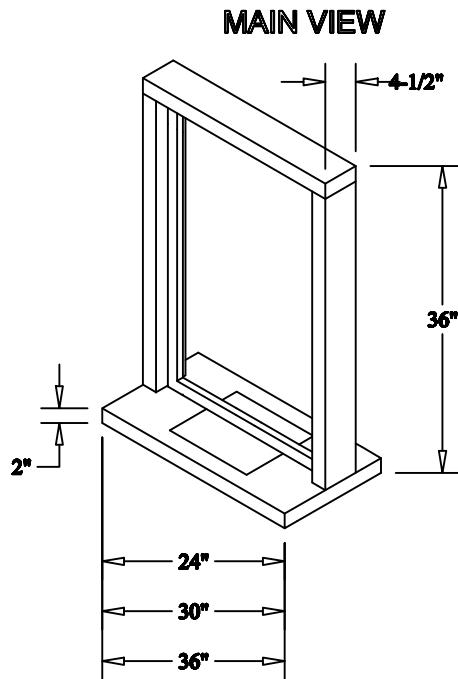
TW3-24S 24-3/8" (W) X 36-3/8"(H)  
 TW3-30S 30-3/8" (W) X 36-3/8"(H)  
 TW3-36S 36-3/8" (W) X 36-3/8"(H)

**Actual Opening:**

TW3-24S 24"(W) X 36"(H)  
 TW3-30S 30"(W) X 36"(H)  
 TW3-36S 36"(W) X 36"(H)

**TW3 Aluminum Ticket Window with  
 Natural Voice Spacer and Stainless Base  
 CSE-QS-TW3 Series**

\*Available in Custom Sizes



NOTE: THIS DRAWING EMBODIES A CONFIDENTIAL PROPRIETARY DESIGN ORIGINATED AND OWNED BY CSE., AND IS SUBMITTED UNDER A CONFIDENTIAL RELATIONSHIP. ALL PATENT, MANUFACTURING, SALE RIGHTS REGARDING THE SAME ARE RESERVED EXCEPT TO THE EXTENT RIGHTS ARE EXPRESSLY GRANTED TO OTHERS. THE RECIPIENT AGREES BY ACCEPTING THESE DRAWINGS NOT TO SUPPLY OR DISCLOSE ANY INFORMATION REGARDING THEM TO ANY UNAUTHORIZED PERSON.



**COVENANT**  
 Security Equipment

**TW3 Aluminum Ticket Window**

Submitted By:  
 Mike

Scale:  
 n/a

Date:  
 12/3/2013

Sheet:  
 TICKET WINDOW VIEWS