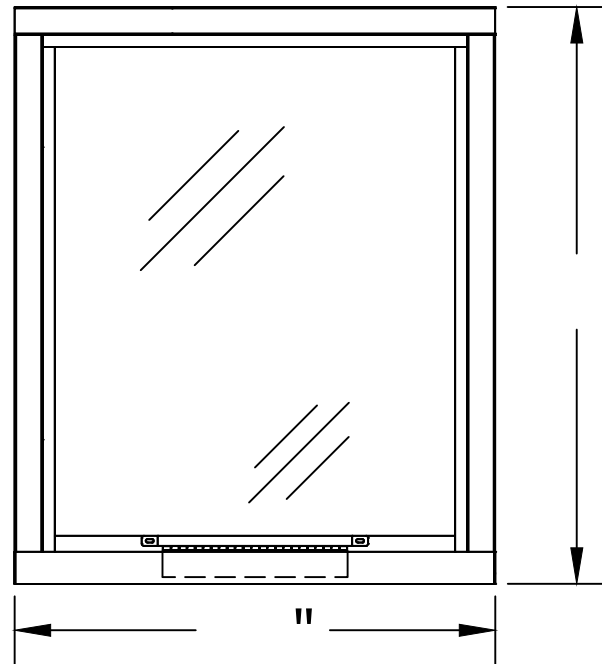
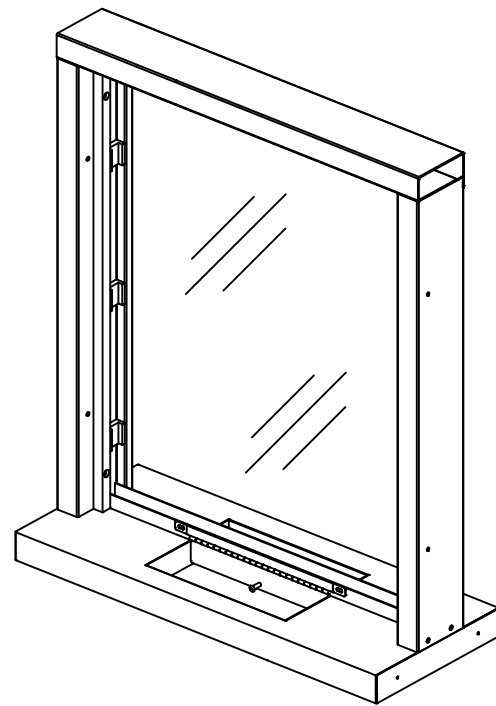
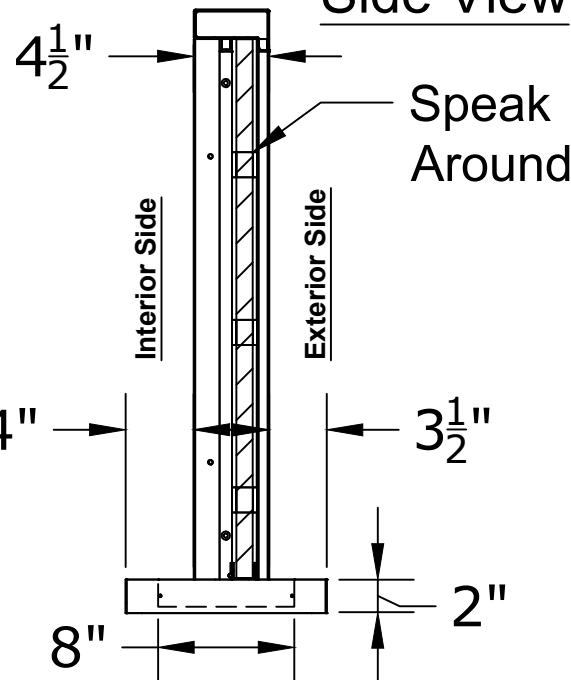




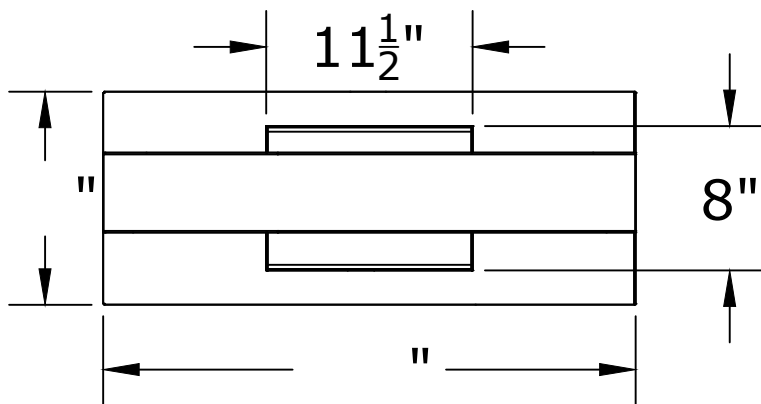
Interior Front View



Side View



Top View



PLEASE SELECT:

1. FRAMING:

- Aluminum Loaded Frame

2. FRAME COLOR:

- Bronze Anodized Clear Anodized

Other: _____

3. GLAZING:

- 1/4" Tempered 5/8" or 1" Insulated
 3/4" Poly - L1 1-1/4" Acrylic - L1
 1-1/4" Poly - L3 1-1/4" Acrylic - L3
 7/8" Storm Impact

Other: _____

4. DEAL TRAY TYPE:

- Non-BR - Curved BR - Square

5. SPEAKER:

- Speak Around

Key Notes

Unit:

CUSTOM TICKET WINDOW W SPEAK AROUND

Actual Dimension:

"(W) x "(H)

Rough Opening:

"(W) x "(H)

Engineer Notes

Date drawn:10/17/2019

Drawn by:A.V.

File name:TWB FILL IN SPEAK AROUND COVENANT

Page:

Scale:

NOTE: THIS DRAWING EMBODIES A CONFIDENTIAL PROPRIETY DESIGN ORIGINATED AND OWNED BY COVENANT SECURITY EQUIPMENT SUBMITTED UNDER A CONFIDENTIAL RELATIONS ALL PATENT, MANUFACTURING, SALE RIGHTS REGARDING THE SAME ARE RESERVED EXCEPT TO THE EXTENT RIGHTS ARE EXPRESSLY GRANTED TO OTHERS. THE RECIPIENT AGREES BY ACCEPTING HIP. THESE DRAWINGS NOT TO SUPPLY OR DISCLOSE ANY INFORMATION REGARDING THEM TO ANY UNAUTHORIZED PERSON.

SIGNATURE: _____

DATE: _____