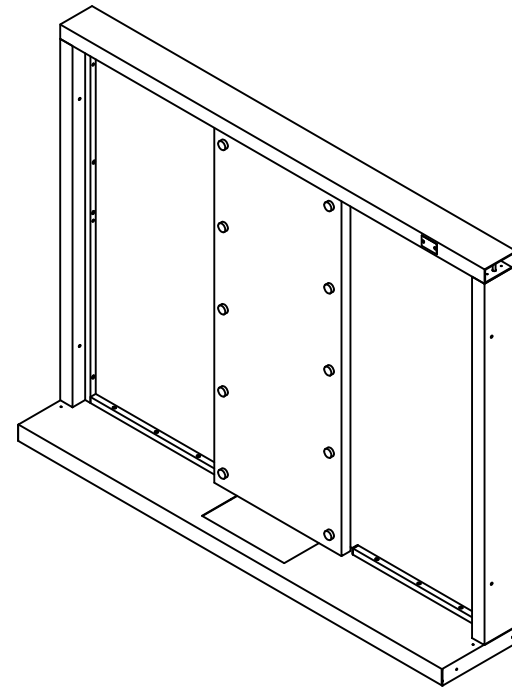
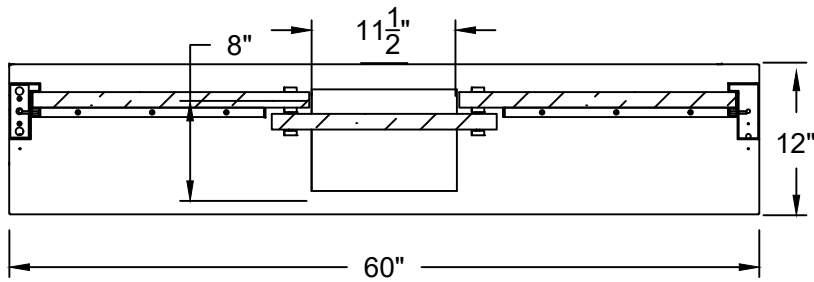
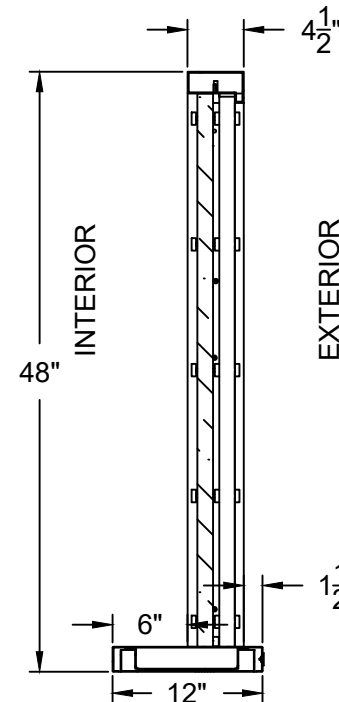
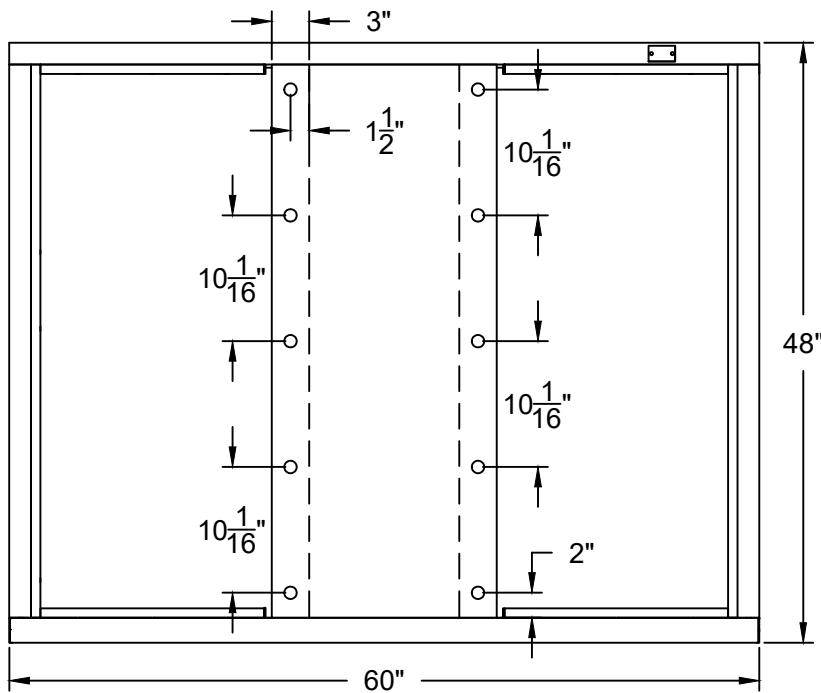




TOP VIEW



INTERIOR FRONT VIEW



PLEASE SELECT:

1. GLAZING:

- 1-1/4" Acrylic - L1
- 1-1/4" Acrylic - L3
- Other: _____

2. FRAME COLOR:

- Bronze Anodized
- Clear Anodized

Key Notes

Unit:
BAFFLE WINDOW
Actual Dimension:
60"(W) X 48"(H)
Rough Opening:
60-3/8"(W) X 48-3/8"(H)

Engineer Notes

Date drawn: 3/10/2021
Drawn by: Avasquez
File name: BAFFLE WINDOW_6048.dwg

Page: 1 of 1

Scale: 1:16

NOTE: THIS DRAWING EMBODIES A CONFIDENTIAL PROPRIETY DESIGN ORIGINATED AND OWNED BY COVENANT SECURITY EQUIPMENT, AND IS SUBMITTED UNDER A CONFIDENTIAL RELATIONS ALL PATENT, MANUFACTURING, SALE RIGHTS REGARDING THE SAME ARE RESERVED EXCEPT TO THE EXTENT RIGHTS ARE EXPRESSLY GRANTED TO OTHERS. THE RECIPIENT AGREES BY ACCEPTING THESE DRAWINGS NOT TO SUPPLY OR DISCLOSE ANY INFORMATION REGARDING THEM TO ANY UNAUTHORIZED PERSONAL.

SIGNATURE: _____

DATE: _____