

The 600 series Single Panel Slider is specified by many multi-unit operators for its quality construction and adaptability to site-specific needs.

Choose the appropriate glass for your site:

**600 INSULATED** The 600 series comes standard with 3/4" insulated glass.

**600 ENERGY SAVER** Choose "Solarban 70XL Insulated Low-E" glass to maximize energy-efficiency and staff comfort. Estimated to save 33% on energy costs associated with the window. NFRC Rated.

**600 HURRICANE** Choose Smash & Grab Impact Rated Glazing (Miami Dade NOA 16-0307.06 – Impact)

**600 SECURITY** Choose Lexan Level 1 Bullet Resistant or Smash & Grab glass, and a security bar set for protection against forced entry.



Pictured: right to left from outside view, clear anodized finish

Choose your mode of operation

- ◇ **MANUAL OPEN / SELF CLOSE**  
Manual open, with patented hands-free gravity close. Economical and easy to maintain.
- ◇ **MANUAL OPEN / ELECTRONIC RELEASE (MOER)**  
Electromagnetic "hold open" feature paired with a presence sensor offers the control of manual open with a gravity-fed close that won't release while interacting with customers. Hands free interaction that is easy to maintain.
- ◇ **ELECTRIC**  
Fully automatic electric, for hands free open & close. Operator steps into adjustable overhead beam to activate.

## SIZE

- ◇ 47 1/2"W x 43 1/2"H x 4 1/2"D (Service Opening: 19"W x 35" H)
- ◇ 47 1/2" x 35 3/4" x 4 1/2"D (Service Opening: 19"W x 27"H)  
(15" west coast restricted service opening also available to meet CA restricted opening requirement—under 432 square inches)

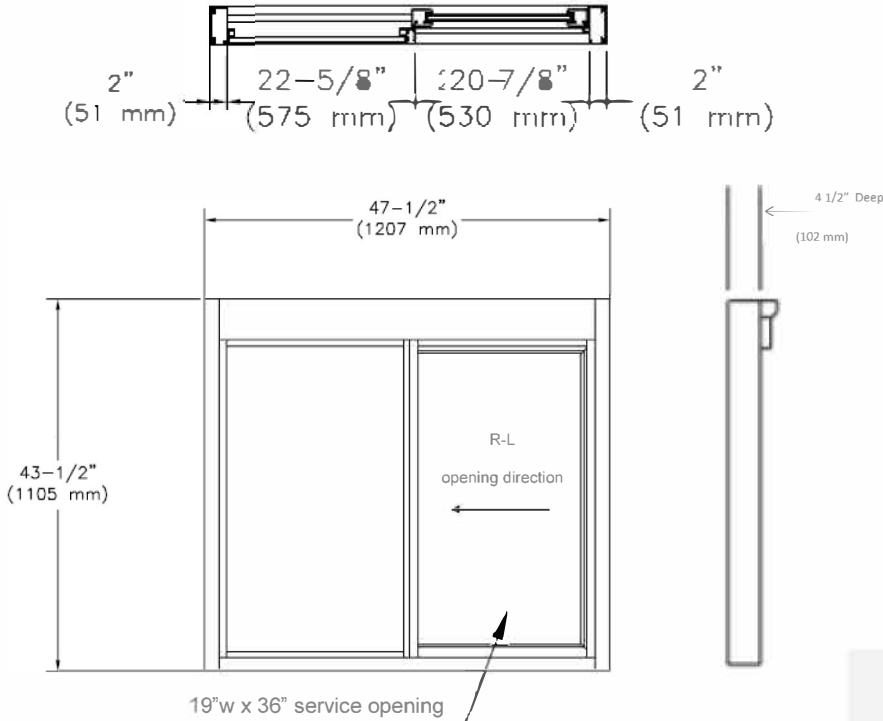
## STANDARD FEATURES:

- ◇ Anodized aluminum extrusions and stainless steel combine to give you an attractive window that will not rust, pit or weather
- ◇ Fully assembled, pre-glazed and ready to install
- ◇ 3/4" Insulated Glass
- ◇ Dark Bronze or Clear Anodized Aluminum
- ◇ Self latches every time it closes. Also includes a thumb turn lock, and night locking bar
- ◇ Track free bottom sill provides for a contaminant free surface. Angled toward outside for drainage toward exterior
- ◇ One year parts & labor limited warranty
- ◇ On-staff tech support / stocked parts / nationwide network of service providers

## OPTIONAL FEATURES

Glazing:

- ◇ Solarban 70 XL Insulated Low E
- ◇ Smash & Grab
- ◇ Lexan Level 1 Bullet Resistant
- ◇ Tinting
- ◇ Powder Coat Paint—Tiger Drylac
- ◇ Stainless Steel Shelf to extend sill inside or out (13 ga.)
- ◇ Telescoping Night Time Security Bar Set for additional security
- ◇ AA300 Heated Air Curtain
- ◇ Split Transom with AA100 Fly Fan
- ◇ Solid Glass Transom
- ◇ Restriction Panel or Screen
- ◇ Hipscan Presence Sensor ILO Overhead Beam



Specify opening direction from outside view  
Left to Right or Right to Left

**ROUGH OPENING**

**47 1/2" W x 43 1/2" H**

- ◇ Masonry Rough Opening - 48"W (1219 mm) x 44"H (1118 mm)
- ◇ Glazing Rough Opening - 47 3/4"W (1213 mm) x 43 3/4"H (1111 mm)

Minimum distance from top of sill to floor (or per local code)

36"

**47 1/2" W x 35 3/4" H**

- ◇ Masonry Rough Opening - 48"W (1219 mm) x 36 1/4"H (921mm)
- ◇ Glazing Rough Opening - 47 3/4" W (1213 mm) x 36"H (914 mm)

All windows are shipped completely pre-assembled, fully glazed and ready to install.

- ◇ Installation illustrations are for reference only. Construction conditions and local codes prevail.
- ◇ Must be installed level, square and plumb.

**ELECTRIC REQUIREMENTS**

Run power to header on fixed panel side

**Manual Open / Electronic Release & Fully Automatic Electric:**

115 vac—60Hz with a 15 amp dedicated circuit

**Manual Open / Self Close Window:**

No Power Required

