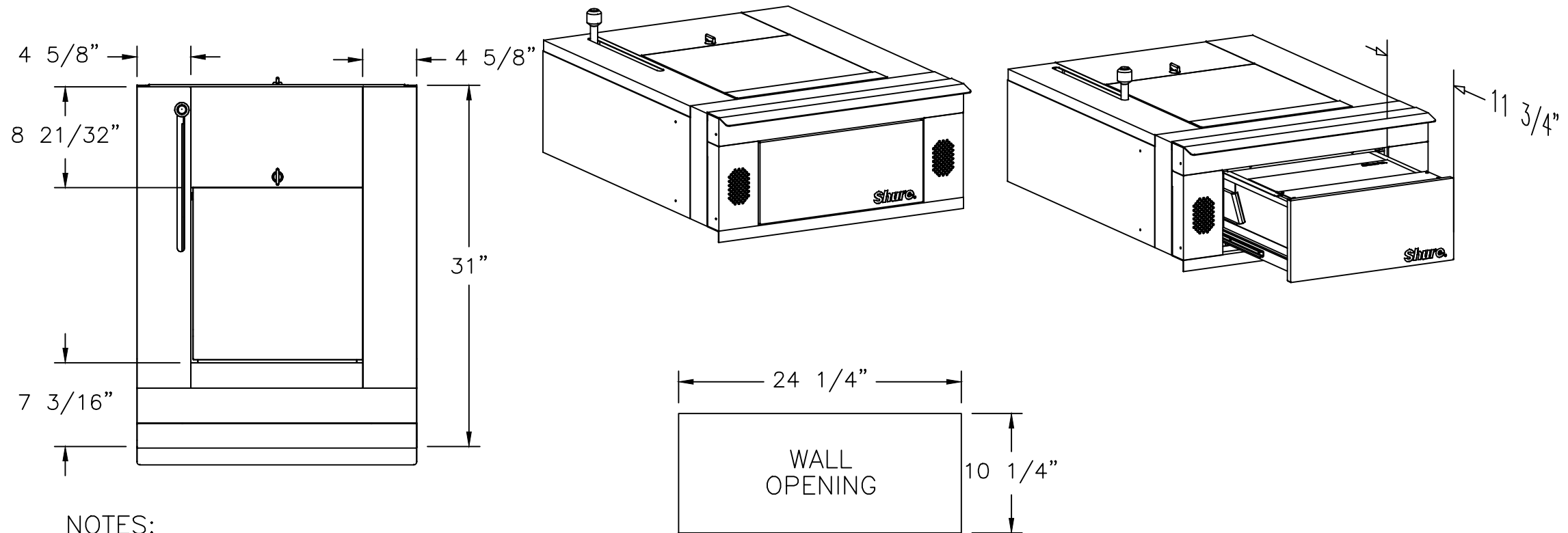
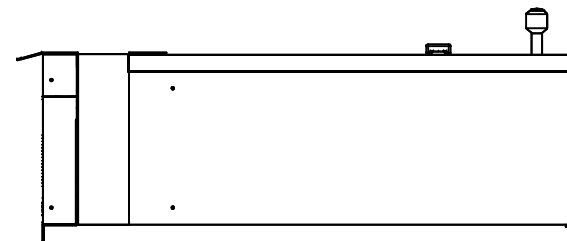
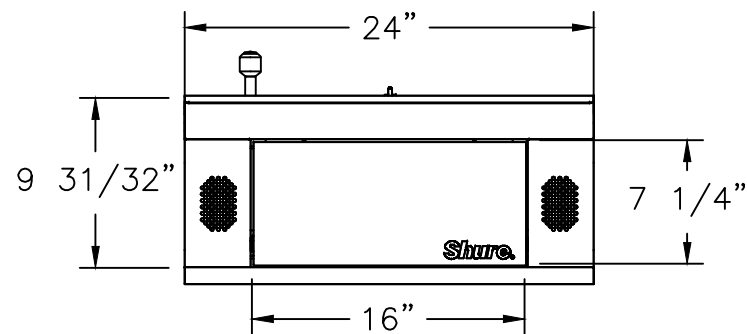


# SPT217 EXTENDED PASS-THRU SECURITY DRAWER FOR 8" WALL



NOTES:  
 DRAWER TAGGED: PCKG-3  
 LEVEL-3 BULLET RESISTANCE  
 DRAWER MADE OF STAINLESS STEEL



**COVENANT**  
 Security Equipment