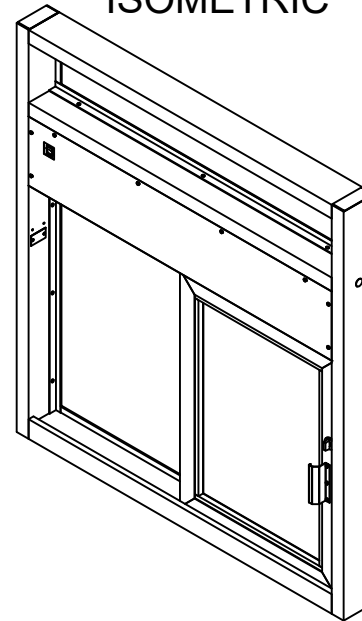


SST-4035E STANDARD RIGHT

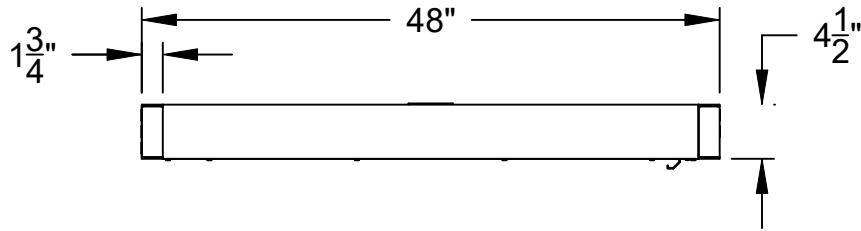


COVENANT
Security Equipment

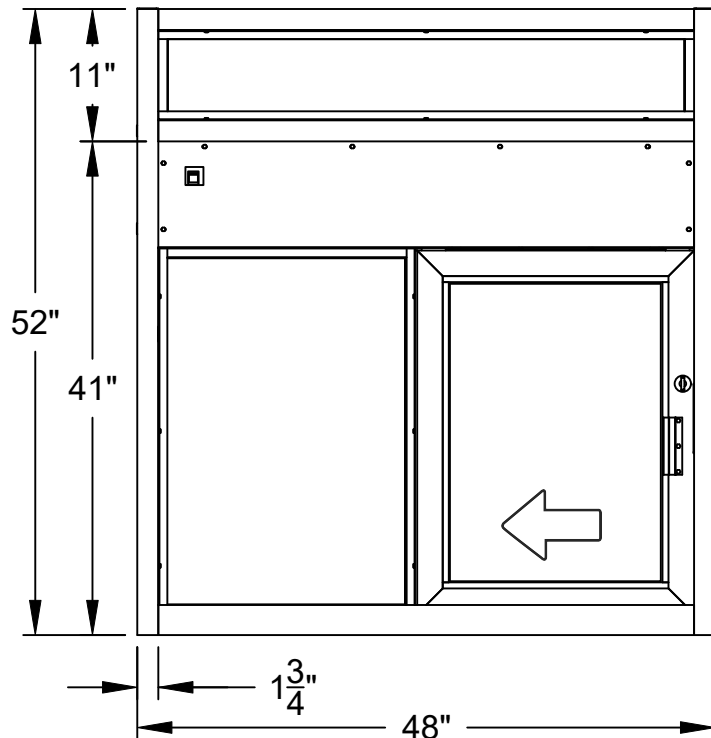
ISOMETRIC



TOP VIEW



INTERIOR VIEW



SIDE VIEW



PLEASE SELECT:

1. FRAMING:

Aluminum

2. FRAME COLOR:

Bronze Anodized

Clear Anodized

Other: _____

3. GLAZING:

1/4" Tempered

1" Insulated

3/4" Poly - L1

1" Insulated + Low-E

1-1/4" Poly - L3

1-1/4" Acrylic - L1

Storm Impact

1-1/4" Acrylic - L3

Other: _____

Key Notes

Unit:

SST-4035E

Actual Dimension:

48"(W) x 52"(H)

Rough Opening:

48-3/8"(W) x 52-3/8"(H)

Service Opening:

20-1/4"(W) x 29"(H)

*THRU BEAM EYE BAR

*NOT FLORIDA APPROVED

Engineer Notes

Date drawn: 6/2/2022 10:50 AM

Drawn by: CABREU

File name:

SST4035E_STD_R.dwg

Page: ####

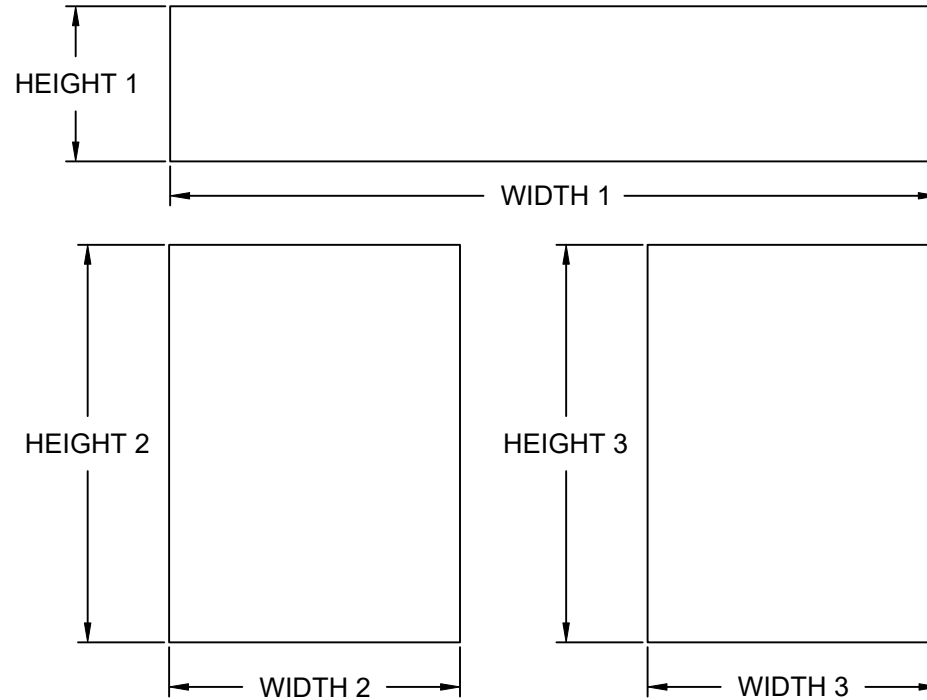
Scale:

NOTE: THIS DRAWING EMBODIES A CONFIDENTIAL PROPRIETY DESIGN ORIGINATED AND OWNED BY QUIKSERV CORP., AND IS SUBMITTED UNDER A CONFIDENTIAL RELATIONS ALL PATENT, MANUFACTURING, SALE RIGHTS REGARDING THE SAME ARE RESERVED EXCEPT TO THE EXTENT RIGHTS ARE EXPRESSLY GRANTED TO OTHERS. THE RECIPIENT AGREES BY ACCEPTING THESE DRAWINGS NOT TO SUPPLY OR DISCLOSE ANY INFORMATION REGARDING THEM TO ANY UNAUTHORIZED PERSONAL.

SIGNATURE: _____

DATE: _____

WORK ORDER		2201039407		
MO / DRAWING NUMBER		188831		
GLASS INFORMATION (Tolerance: +/- 1/16)				
Component	Description	WIDTH	HEIGHT	QTY
1511	Glass - Door - 1/4" x 18-5/16" x 25-1/2"	18 5/16"	25 1/2"	16
1512	Glass - Side Lite - 1/4" Tempered	20 1/2"	29 1/4"	16
1520	Glass - Transom - 1/4" x 6-5/8" X 43-5/8"	43 5/8"	6 5/8"	16



NOTE: THIS DRAWING EMBODIES A CONFIDENTIAL DESIGN ORIGINATED AND OWNED BY QUIKSERV CORP., AND IS SUBMITTED UNDER CONFIDENTIAL RELATION. ALL PATENT, MANUFACTURING, AND SALE RIGHTS ARE RESERVED EXCEPT TO THE EXTENT RIGHTS THAT ARE EXPRESSLY GRANTED TO OTHERS. THE RECIPIENT AGREES BY ACCEPTING THESE DRAWINGS NOT TO SUPPLY OR DISCLOSE ANY INFORMATION TO ANY UNAUTHORIZED PERSONNEL.

GLASS SIZE

FILE NAME	SST4035E_STD_R.dwg	REV	A
DRAWN	6/2/2022 10:50 AM	SCALE:	1:1
----		----	