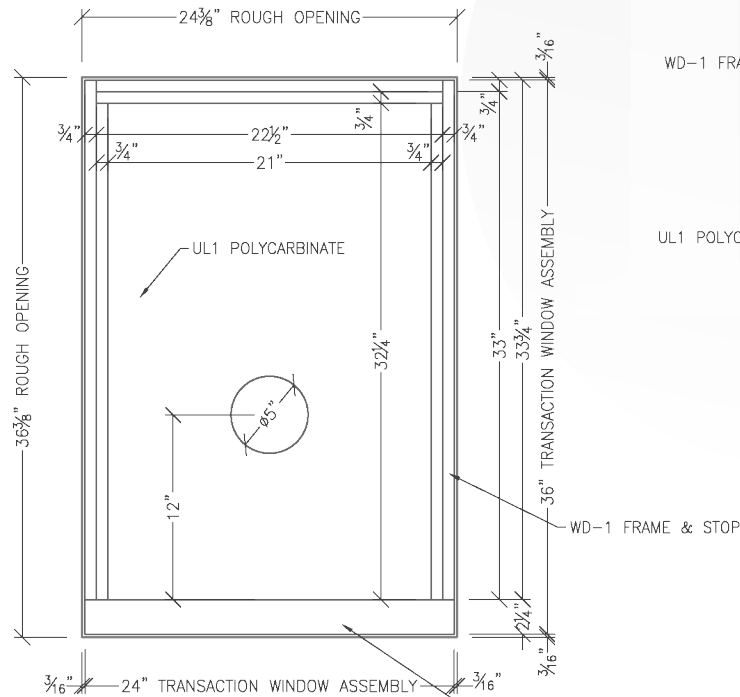
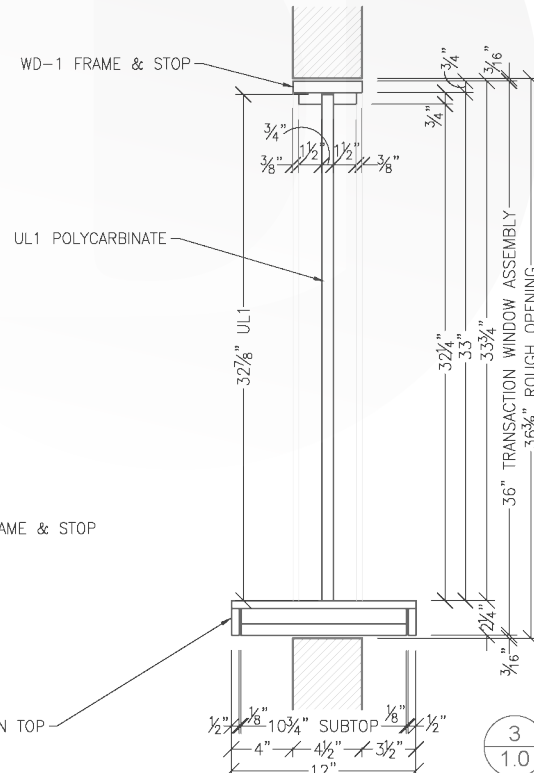


WD-1 = PLAINSAWN HARD MAPLE, CLEAR COATED, SATIN
 SS-1 = LG HAUSYS, BREEZE WHITE, MATTE
 SS-1 ADHESIVE = WHITE STAR

1 PLANSECTION
 1.0 SCALE: 1 1/2" = 1'-0"



2 FRONT ELEVATION
 1.0 SCALE: 1 1/2" = 1'-0"



3 SECTION
 1.0 SCALE: 1 1/2" = 1'-0"



COVENANT
 Security Equipment

Designer Series

CSE-SW-TW1

DRAFTER / PROJ MGR JT / TIM G	SHOP TICKET NO.	REVISION 1
1st SUBMITTAL DATE 4.28.2020	REVISION DATE	SHEET 1.0

** NOTICE **

NOT RESPONSIBLE BEYOND OUR OWN WORK
 OTHERS USE THIS DRAWING AT THEIR OWN RISK