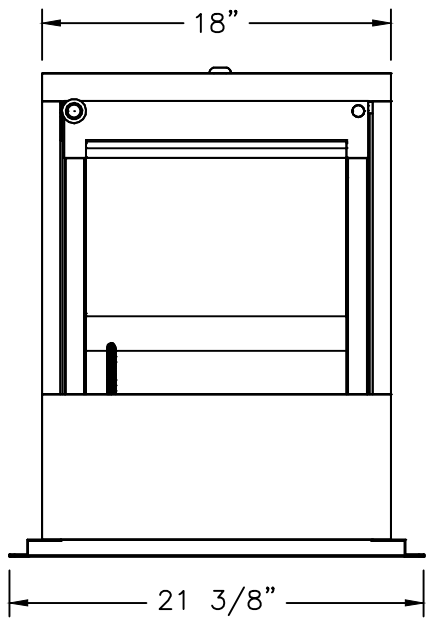
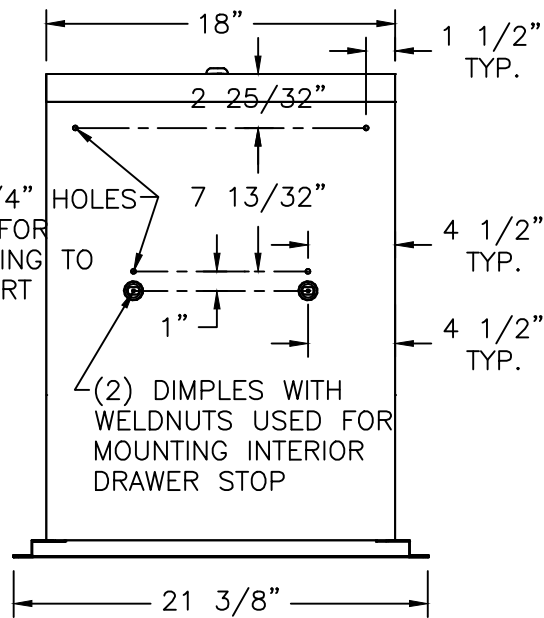


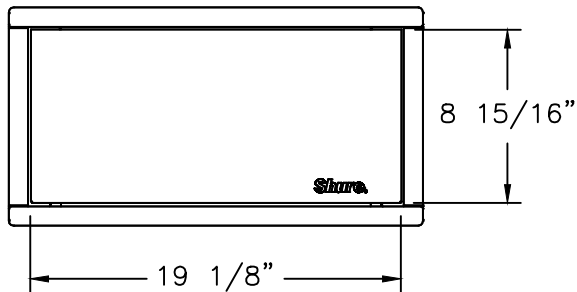
SHURESAFE SPT198 THRU-WALL MULTI-DRAWER



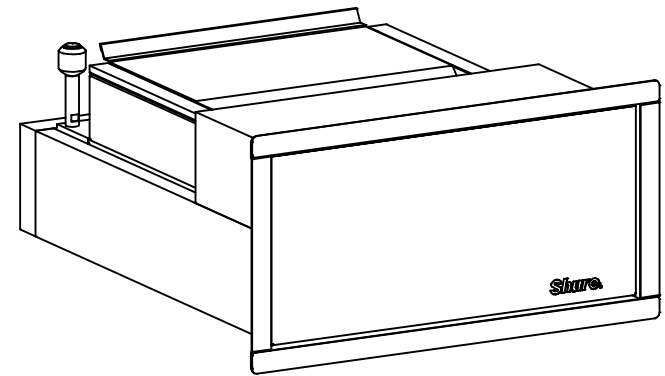
TOP VIEW



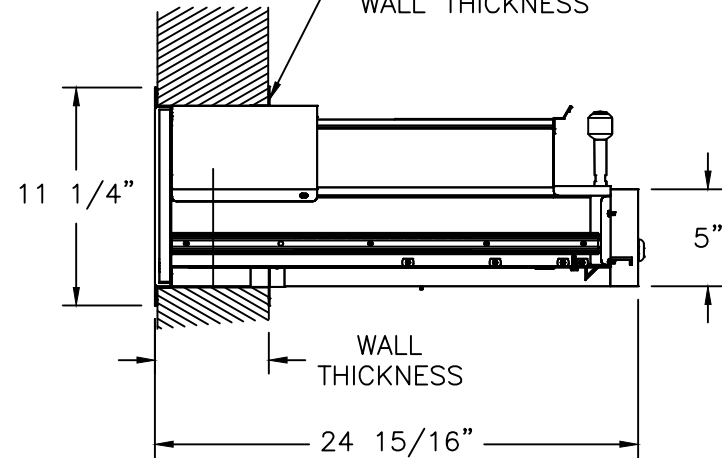
BOTTOM VIEW



FRONT VIEW



INNER FRAME
ADJUSTABLE TO MATCH
WALL THICKNESS



MATERIAL:
DRAWER IS FABRICATED USING
VARIOUS GAUGES OF STAINLESS
STEEL TYPES 304 AND 430
WITH #4 FINISH.



COVENANT
Security Equipment