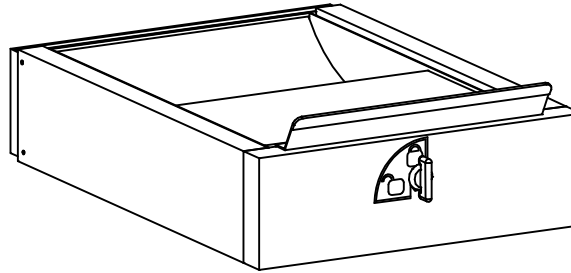
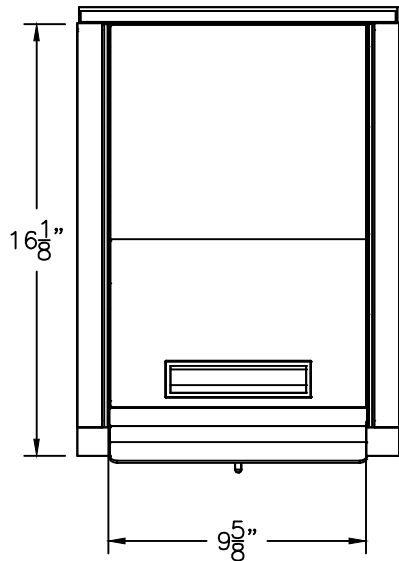
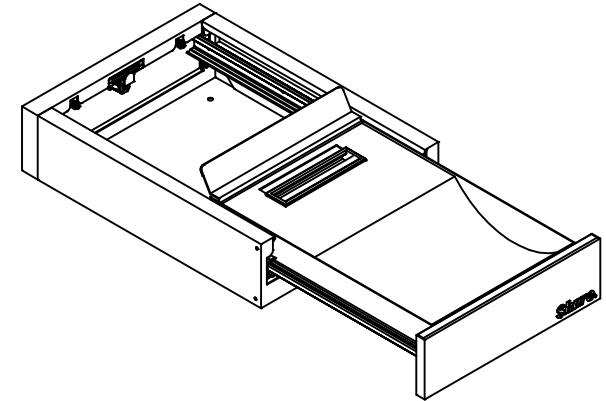


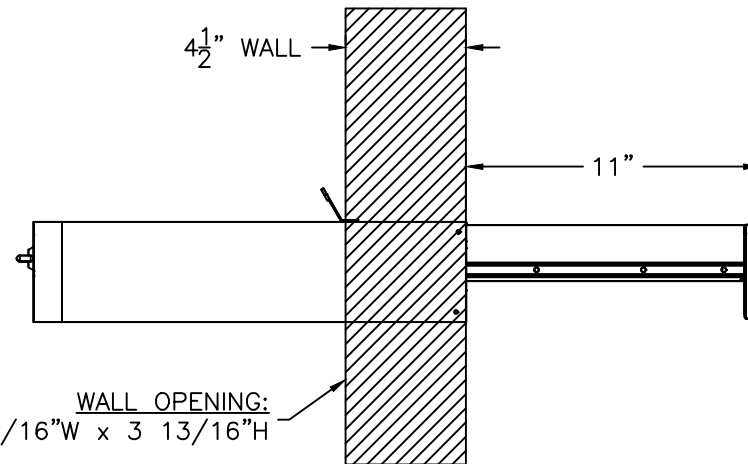
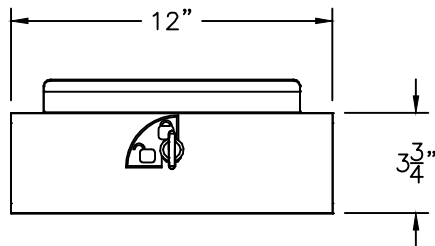
SHURESAFE SPT350 EXTENDING DEAL TRAY



DRAWER SHOWN IN LOCKED POSITION
(OPERATOR SIDE SHOWN)



DRAWER SHOWN AT FULL EXTENSION
(CUSTOMER SIDE)



MATERIAL:
DRAWER IS FABRICATED USING
VARIOUS GAUGES OF STAINLESS
STEEL TYPES 304 AND 430
WITH #4 FINISH.



COVENANT
Security Equipment