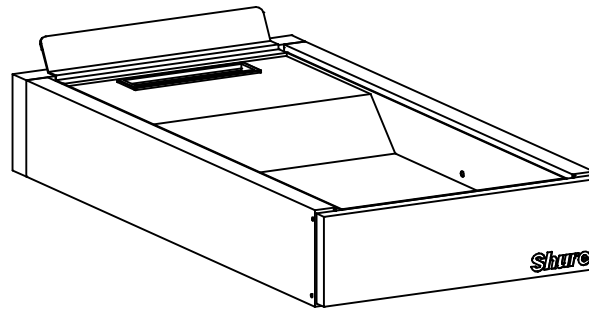
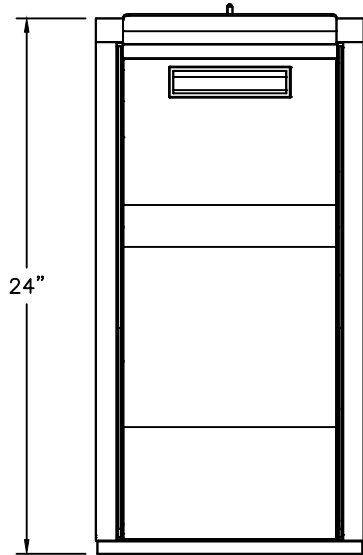
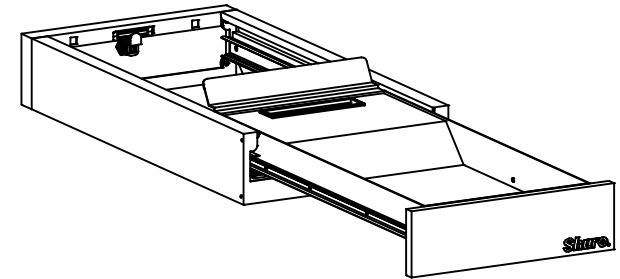


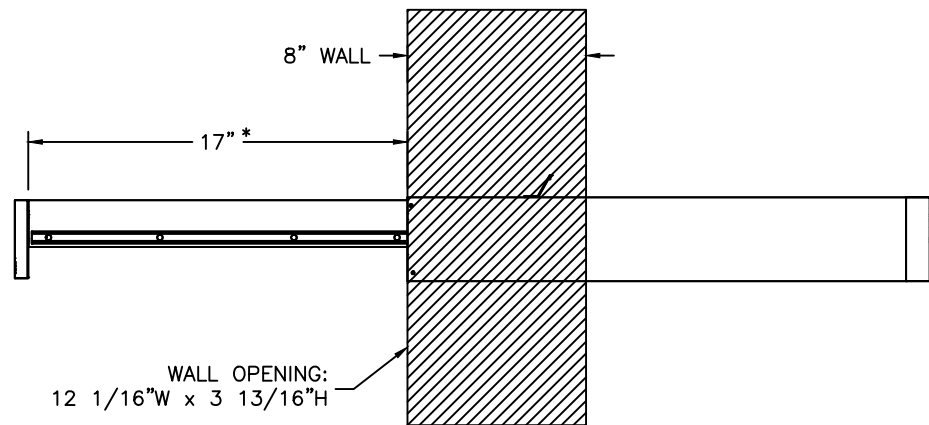
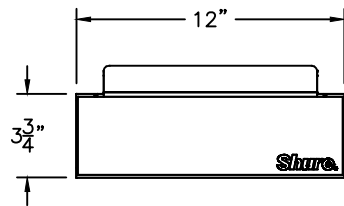
# SHURESAFE SPT354 DRIVE-THRU CASH DRAWER



DRAWER SHOWN IN LOCKED POSITION  
(CUSTOMER SIDE SHOWN)



DRAWER SHOWN AT STANDARD FULL  
EXTENSION (CUSTOMER SIDE)



WALL OPENING:  
12 1/16"W x 3 13/16"H

\*STANDARD EXTENSION OF DRAWER (17").  
CAN BE ADJUSTED IN THE FIELD TO  
AN EXTENSION OF 14" IF REQUIRED.

**MATERIAL:**  
DRAWER IS FABRICATED USING  
VARIOUS GAUGES OF STAINLESS  
STEEL TYPES 304 AND 430  
WITH #4 FINISH.



**COVENANT**  
Security Equipment